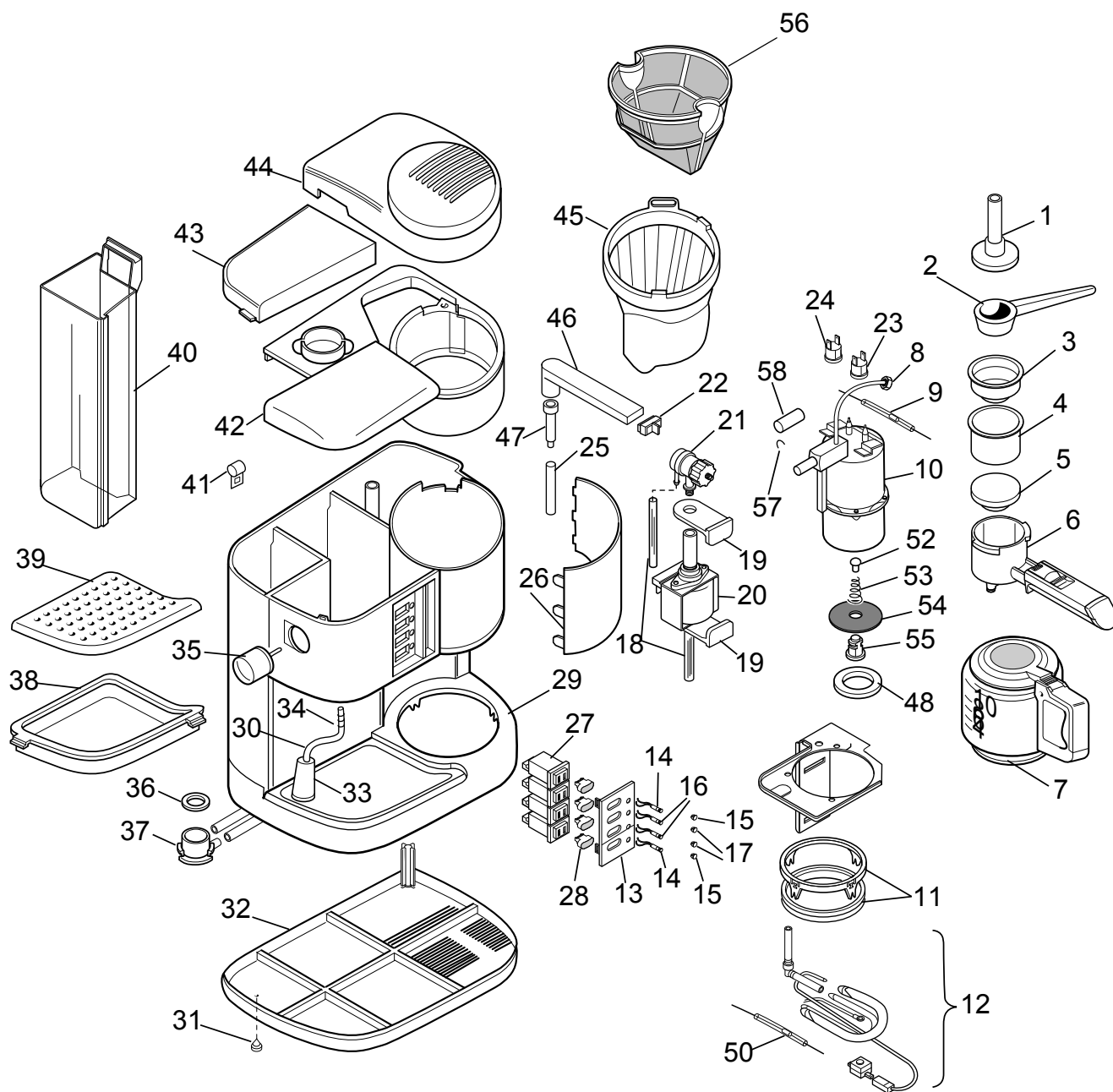


ANNULLA E SOSTITUISCE
L'ESPLOSO n.96086/2
IN VS. POSSESSO



Position	Code	description
01	SL98150100	PRESSING DEVICE
02	5332169200	MEASURING SPOON
03	SL35011000	FILTER
04	SL35012000	FILTER
05	SL37006003	CREMA DISK
06	SL35032200	SUMP
07	SL1721920	CONTAINER
08	622189	NUT
09	511876	TCO 192°
10	SL28528003	BOILER
11	SL32011003	PLATE
12	SL61048000	HEATING Element
13	SL31034280	CONTROL PANEL
14	SL56149003	Red Warning Light
15	SL23522300	RED LENS
16	SL56150003	Green Warning Light
17	SL23522500	GREEN LENS
18	535924	TUBE
19	534848	SUPPORT
20	5113211281	PUMP
21	ES000	*NOT AVAILABLE
22	ES000	*NOT AVAILABLE
23	5232100600	THERMOSTAT 105°
24	5232101300	THERMOSTAT 125°
25	ES000	*NOT AVAILABLE
26	SL70746020	FRONT PANEL
27	5132100700	SWITCH
28	532723	Push Button Grey
29	SL40164200	CASING
30	SL3306000	TUBE
31	ES000	*NOT AVAILABLE
32	SL10564200	BOTTOM
33	535708	FROTHER
34	SL43083000	O-RING
35	ES000	*NOT AVAILABLE
36	SL43086000	GASKET
37	SL24059000	CONNECTION

38	SL28002200	TRAY
39	SL32030000	CUP PLATE
40	ES000	*NOT AVAILABLE
41	SL48542000	CLIP
42	SL30183200	COVER
43	SL30185200	COVER
44	SL30184200	COVER
45	ES000	*NOT AVAILABLE
46	ES000	*NOT AVAILABLE
47	SL70515200	CONNECTION
48	ES000	*NOT AVAILABLE
50	511816	FUSE
52	SL1002	VALVE
53	SL1003	SPRING
54	SL1004	DIFFUSER
55	SL1005	DOWEL
56	5513200149	FILTER
57	SL1011	SPRING
58	SL1012	STEM