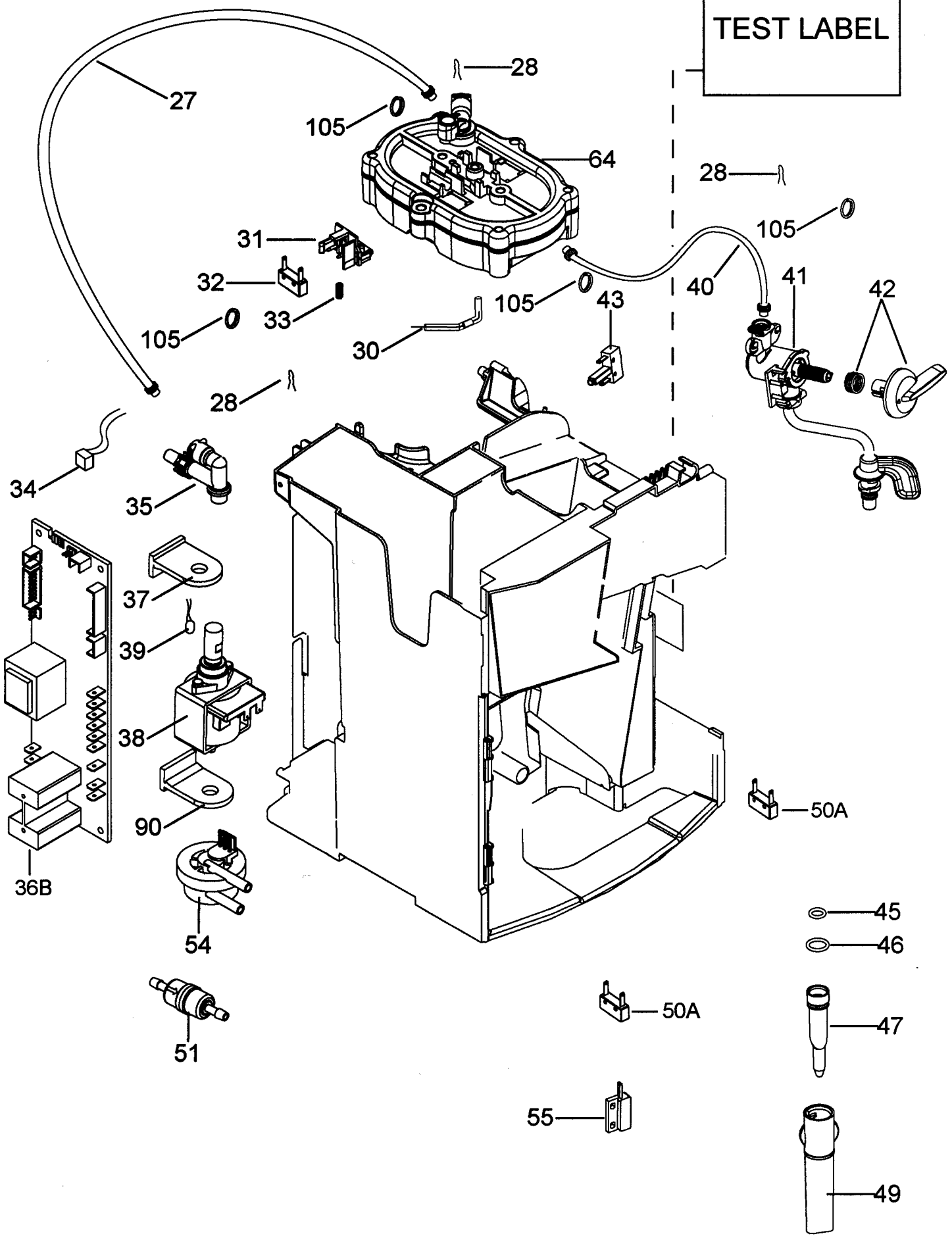


TEST LABEL

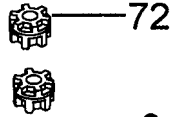
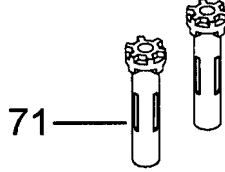
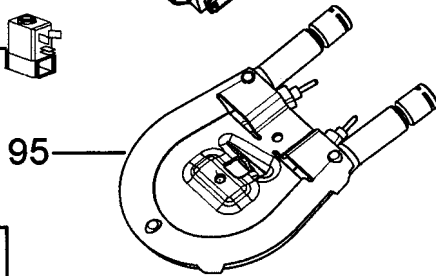
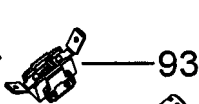
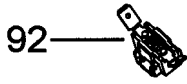
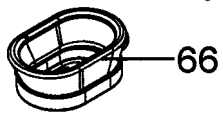
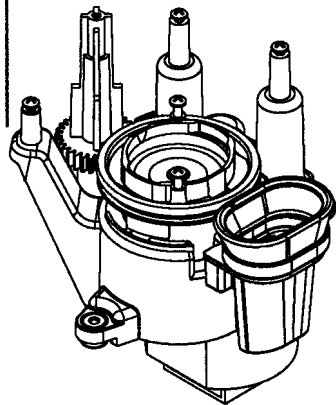


TEST LABEL

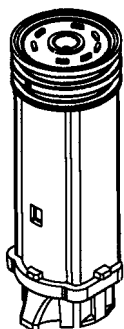
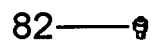
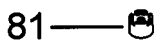
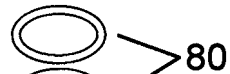
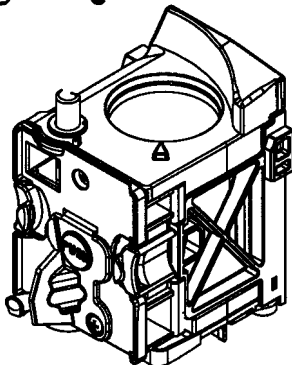
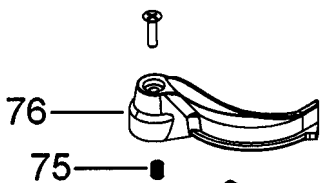
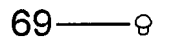
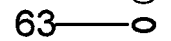
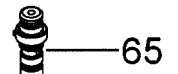
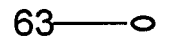
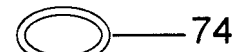
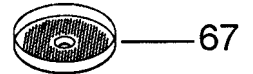
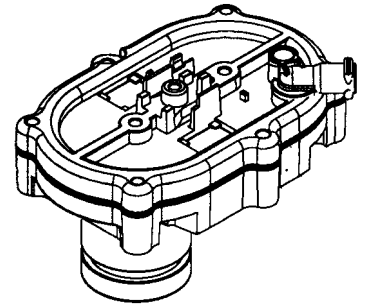
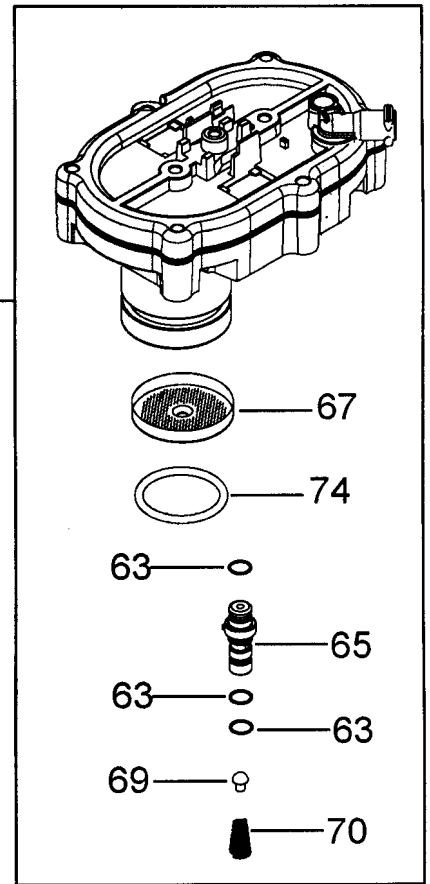
← TO PLACE AN ORDER CHECK THE LABEL

CCCCC **EE** SSSSS PPPP

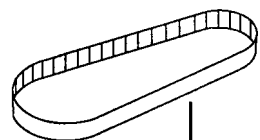
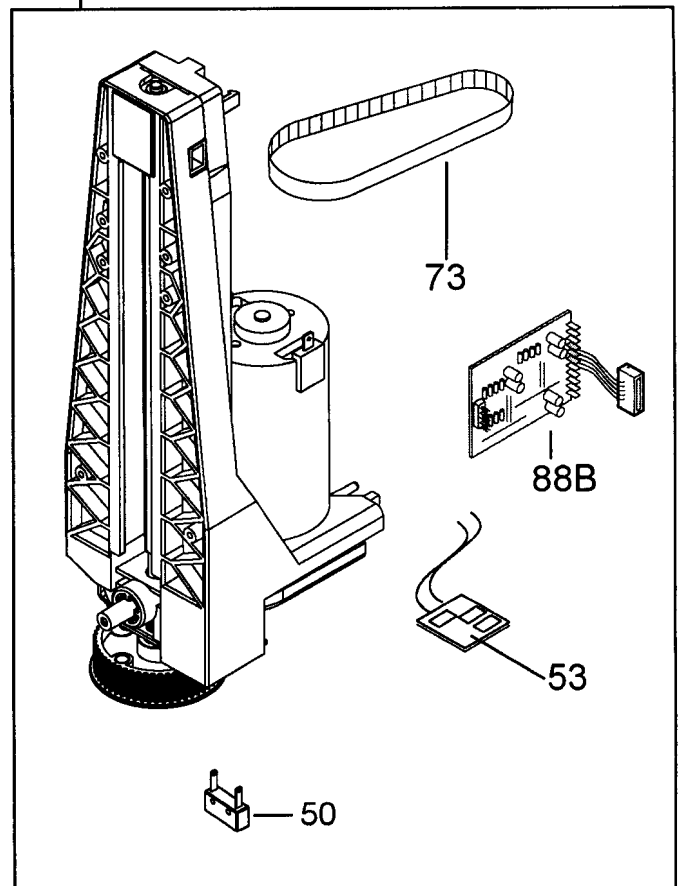
AB=62B



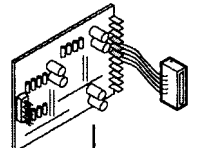
64



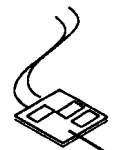
68B



73



88B

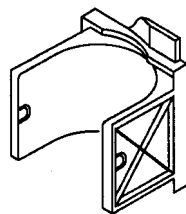


53



50

77



91

Position	Code	description
	5332224100	MOTOR BELT GRINDER
	5313215891	GOMMINO ANTIMACCH GREY(EPDM70Z 70SH)MCSA
	6913210021	E.VALVE BRACKET 2WAY(S.VAP) DEGREASED
	6913210031	E.VALVE BRACKET 3WAY DEGREASED MCSA
001	5332187300	COVER
002	5332187200	COVER
004	7332183100	CLOSURE
005	5332187500	SIDE LEFT
006	5913210471	KNOB
007	5532146600	TANK
008	5332187600	REAR PANEL
009	5332187400	SIDE RIGHT
010	5532127400	CONTROL PANEL
011	VI000	SEE TECNICAL INFORMATION
012	7313220611	DOOR ASSY
013	5332142600	HOOK
014	5332145600	COVER
015	7313228241	WATER TANK
016	5332151700	PROFILE
017	6032105000	CUP PLATE
018	5332180000	TRAY
019	5332225800	BOTTOM
020	5332266300	FLOAT
021	5332169200	MEASURING SPOON
027	7313285899	TUBE PTFE DI2-DE4 L=230 2BUSHES
028	6132101300	CLIP
030	5032513900	TCO
031	5332142200	SUPPORT
032	5132104100	MICROSWITCH
033	6132104700	SPRING
034	5217100200	SENSOR NTC
035	7313219431	VALVE
036B	5232109800	POWER BOARD
037	5332225700	SUPPORTO
038	5113211281	PUMP
039	5232103200	PROTECTOR

040	5513212881	TUBE PTFE DI2-DE4 L=270 2BUSHES
041	7313216621	TAP
042	5513222451	KNOB
043	5113210421	MICROSWITCH
044	5232114200	CONTROL BOARD
045	5313217761	O-RING
046	533135	O-RING
047	5332113800	TUBE LOWER
048	5332172100	PUSH BUTTON
049	5332229600	COVER
050A	5132105400	MICROSWITCH
051	5513220521	FILTER
053	5213213971	HALL SENSOR
054	5213214671	FLOWMETER
055	5232104600	SENSOR REED
062B	5513227971	COMPLETE GRINDER
063	5313217751	O-RING
064	5513227921	ASSY BOILER 230V
065	5332184900	PIN
066	5332144900	GASKET
067	5332139200	FILTER
068B	5513227951	TRANSMISSION KIT
069	5332148400	VALVE
070	6132106900	SPRING
071	5332142300	BUSH
072	5332142400	BUSH
073	5313243071	BELT
075	6132103500	SPRING
076	5332139800	LEVER
077	5513227871	DIFFUSER KIT
078	9812631250	SCREW
079	6013213181	FILTER
080	5332149100	O-RING
081	5332139600	STOPPER
082	5332139500	VALVE
083	6132106700	SPRING
084	5332140300	PISTON
088B	5213212381	MOTOR BOARD (ECM)

089	5332151600	COVER
090	534848	SUPPORT
091	7332166600	SLIDER
092	5232105000	TCO
093	5232104500	THERMOSTAT
094	5513225701	KIT SOLENOID VALVE 2V
095	5532120000	HEATING Element
096	5332170800	GLASS
097	7132102700	FRONT PANEL
098	5332170900	KEYBOARD
099	5332170700	COVER
100	5332180200	TEMPLATE
101	5932113600	PUSH BUTTON
102	5932113700	PUSH BUTTON
103	5932113300	PUSH BUTTON
104	5932113200	PUSH BUTTON
105	5313217701	O-RING D=3,85