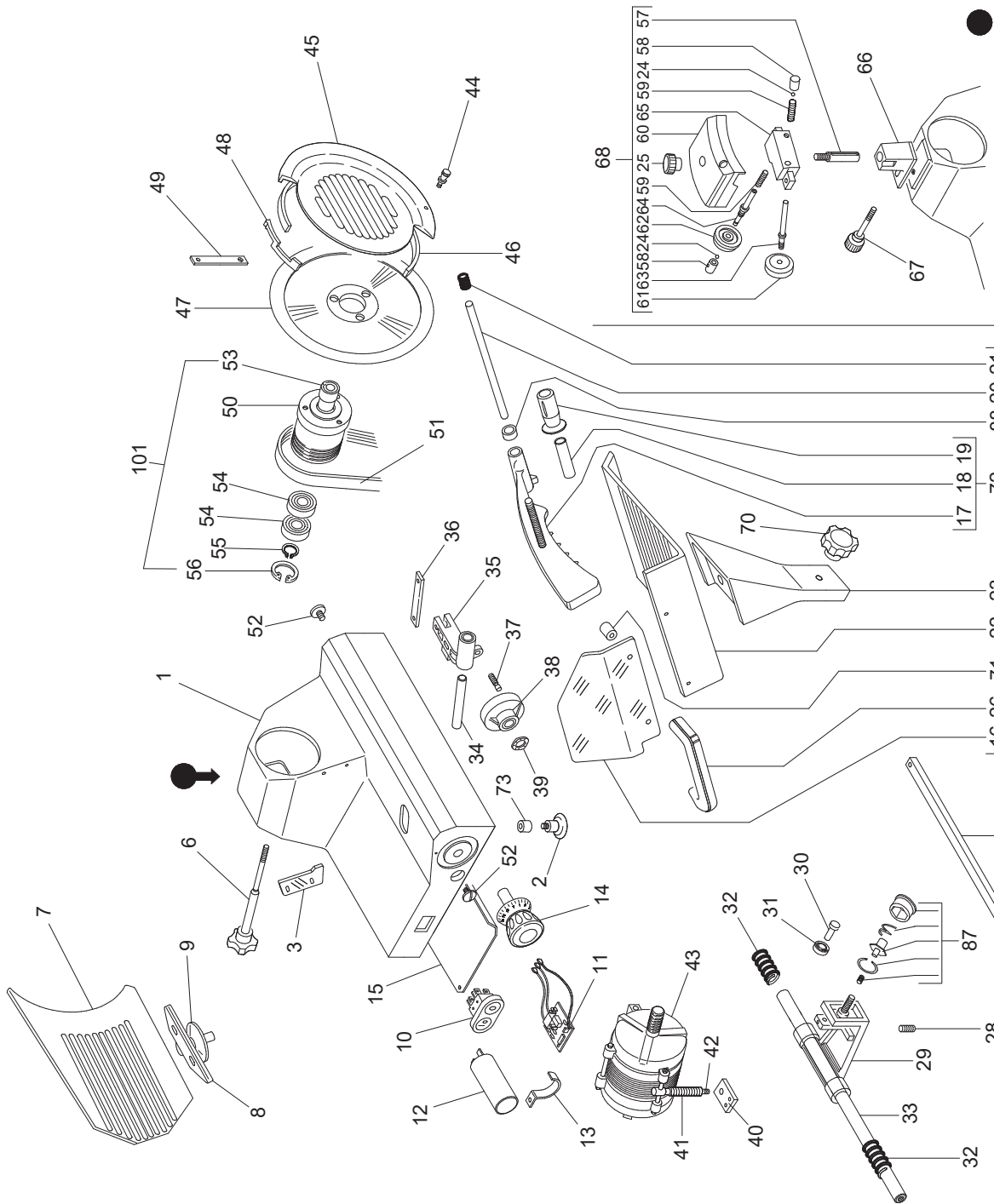
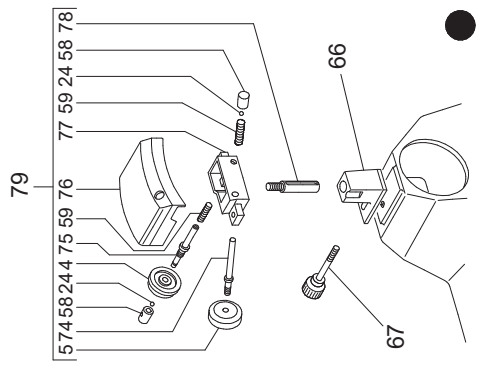
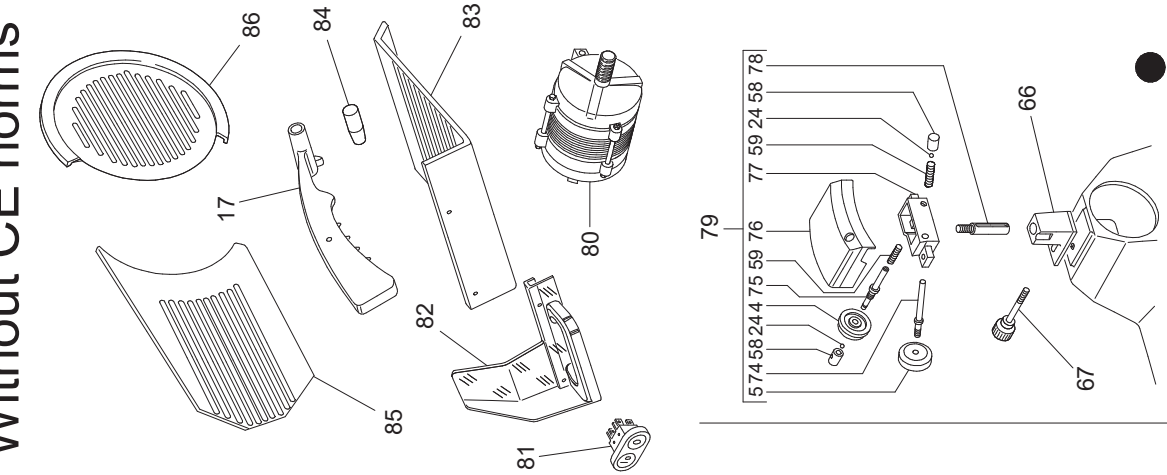


Without CE norms



H220-250-275-HR300-HS250

Pos. Ref.	Codice Code		Caratteristiche Features	Description Description
1	CO3930		(H220)	Base Base
1	CO3931		(H250-275-HS250-HR300)	Base Base
2	CO3908	●		Piedino Foot
3	CO3912		(H220)	Protezione Protection
3	CO3932		(H-HS250)	Protezione Protection
3	CO3933		(H275)	Protezione Protection
3	CO8083		(HR300)	Protezione Protection
4	CO3443	●		Mola sbavatura Deburring wheel
5	CO3444	●		Mola affilatura Grinding wheel
6	CO4135	●	(H220)	Tirante Tie rod
6	CO3911	●	(H250-275-HS250)	Tirante Tie rod
6	CO8084	●	(HR300) CE	Tirante Tie rod
6	CO8085	●	(HR300) EXCE	Tirante Tie rod
7	CO3936		(H220)	Vela Sail
7	CO3937		(H-HS250)	Vela Sail
7	CO3938		(H275)	Vela Sail
7	CO8086		(HR300)	Vela Sail
8	CO3939		(H220)	Supporto Support
8	CO3940		(H250-275-HS250-HR300)	Supporto Support
9	CO3941			Anello Ring
10	CO3914	●		Pulsante Push button
11	CO3913	●	230V/1Ph/50Hz	Scheda elettronica Electronic card
12	CO3942		8µF	Condensatore Condenser
13	CO3943			Staffa Stirrup
14	CO3919			Pomello Knob
15	CO3944		(H220)	Fondo Bottom
15	CO3945		(H250-275-HS250-HR300)	Fondo Bottom
16	CO3905		(H220)	Protezione Protection
16	CO4688		(H250-275-HS250)	Protezione Protection
16	CO8087		(HR300)	Protezione Protection
17	CO3906		(H220)	Pressamerce Ram
17	CO3947		(H250-275-HS250)	Pressamerce Ram
17	CO8088		(HR300)	Pressamerce Ram
18	CO3948			Distanziale Spacer
19	CO3907	●		Maniglia Handle
20	CO3949		(H220)	Asta Rod
20	CO3950		(H250-275-HS250)	Asta Rod
20	CO8089		(HR300)	Asta Rod
21	CO3951			Boccola Bush
22	CO3952		(H220)	Piatto Flat
22	CO3953		(H-HS250)	Piatto Flat
22	CO3954		(H275)	Piatto Flat
22	CO8090		(HR300)	Piatto Flat
23	CO3955		(H220-250-HS250)	Supporto Support
23	CO3956		(H275-HR300)	Supporto Support
25	CO4132			Pomello Knob
26	CO3959		(H250-275-HR300-HS250)	Maniglia Handle
27	CO3960		(H220)	Barra Bar
27	CO3961		(H250-275-HS250-HR300)	Barra Bar
28	CO3962		M8	Grano Grub screw
29	CO3963		(H220-250-275-HR300)	Supporto Support
29	CO4139		(HS250)	Supporto Support
30	CO3964			Perno Pivot
31	CO4680		626 ZZ	Cuscinetto Bearing
32	CO3965			Molla Spring
33	CO3966		(H220)	Albero Shaft
33	CO3967		(H250-275-HR300-HS250)	Albero Shaft
34	CO3968			Asta Rod
35	CO3969			Supporto Support
36	CO3970			Piastra Plate
37	CO3971			Perno Pivot
38	CO3904			Camma Cam
39	CO3972			Rosetta Washer
40	CO3973			Piastra Plate
41	CO3974			Molla Spring
42	CO3975			Tirante Tie rod
43	CO4141		230V/1Ph/50Hz (H220)	Motore Motor
43	CO3902		01/01/02 f.p.(*) (H220)	Motore Motor
43	CO4142		230V/1Ph/50Hz (H250-275-HS250)	Motore Motor
43	CO3976		01/01/02 f.p.(*)(H250-275-HS250)	Motore Motor
43	CO9143		230V/1Ph/50Hz (HR250) CE/EXCE	Motore Motor
43	CO8091		230V/1Ph/50Hz (HR300)	Motore Motor
44	CO3977		(H220)	Perno Pivot
44	CO3978		(H250-275-HR300-HS250)	Perno Pivot

45	CO3909		CE norms (H220)	Coprilama	Blade cover
45	CO3929		CE norms (H-HS250)	Coprilama	Blade cover
45	CO3979		CE norms (H275)	Coprilama	Blade cover
45	CO8070		CE norms (HR300)	Coprilama	Blade cover
46	CO3980		CE norms (H220)	Anello	Ring
46	CO3981		CE norms (H-HS250)	Anello	Ring
46	CO3982		CE norms (H275)	Anello	Ring
46	CO8092		CE norms (HR300)	Anello	Ring
47	CO3910		(H220)	Lama	Blade
47	CO3921		(H-HS250)	Lama	Blade
47	CO3983		(H275)	Lama	Blade
47	CO8093		(HR300)	Lama	Blade
48	CO3984		CE norms (H220)	Protezione	Protection
48	CO3985		CE norms (H-HS250)	Protezione	Protection
48	CO3986		CE norms (H275-HR300)	Protezione	Protection
49	CO3987		CE norms (H220)	Piastra	Plate
49	CO3988		CE norms (H-HS250)	Piastra	Plate
49	CO3989		CE norms (H275)	Piastra	Plate
49	CO8094		CE norms (HR300)	Piastra	Plate
50	CO3915		(H220)	Puleggia	Pulley
50	CO3990		(H250-275-HR300-HS250)	Puleggia	Pulley
51	CO3903	●	TB2.34 295x8 (H220)	Cinghia	Belt
51	CO3918	●	TB2.34 310x8 (H250-275-HR300-HS250)	Cinghia	Belt
52	CO3991			Vite	Screw
53	CO3992		(H220)	Perno	Pivot
53	CO3993		(H250-275-HR300-HS250)	Perno	Pivot
54	SL2472		6202 ZZ	Cuscinetto	Bearing
55	SL2471		ø15	Seeger	Seeger
56	CO3254		ø35	Seeger	Seeger
57	CO4553		(H220-250-HS250)	Perno	Pivot
57	CO3995		(H275-HR300)	Perno	Pivot
58	CO3996			Pulsante mola	Wheel pusher
59	CO3997			Molla	Spring
60	CO4554		(H220-250-HS250)	Copertura	Covering
60	CO3998		(H275-HR300)	Copertura	Covering
61	CO3901	●		Mola affilatura	Grinding wheel
62	CO3900	●		Mola sbavatura	Deburring wheel
63	CO3999			Perno	Pivot
64	CO4000			Perno	Pivot
65	CO4001			Supporto	Support
66	CO4555			Supporto	Support
67	CO4003			Pomello	Knob
68	CO4499		Assembly (H220-250-HS250)	Affilatoio	Tool grinder
68	CO3926		Assembly (H275-HR300)	Affilatoio	Tool grinder
69	CO4124		Assembly (H220)	Piatto	Flat
69	CO4125		Assembly (H-HS250)	Piatto	Flat
69	CO4126		Assembly (H275)	Piatto	Flat
70	CO4053		(HS250)	Pomello	Knob
71	CO4039		(H275)	Distanziale	Spacer
72	CO3906		Assembly (H220)	Pressamerce	Ram
72	CO3947		Assembly (H250-275-HS250)	Pressamerce	Ram
79	CO3196		Assembly (H220-250)	Affilatoio	Tool grinder
79	CO4765		Assembly (H275-HR300)	Affilatoio	Tool grinder
80	CO3902		230V/1Ph/50Hz (H220)	Motore	Motor
80	CO9144		230V/1Ph/50Hz (HR300) EXCE	Motore	Motor
80	CO3976		230V/1Ph/50Hz (H250-275)	Motore	Motor
81	CO2877			Pulsante	Push button
82	CO3881			Protezione	Protection
84	CO2942			Pomello	Knob
85	CO0385		(H220)	Vela	Sail
85	CO0263		(H250)	Vela	Sail
85	CO0386		(H275)	Vela	Sail
86	CO3866		(H220)	Coprilama	Blade cover
86	CO4770		(H250)	Coprilama	Blade cover
86	CO4766		(H275)	Coprilama	Blade cover
86	CO8071		(HR300)	Coprilama	Blade cover
87	CO5353		(HS250)	Kit blocco-vela	Kit fence plate safety lock
88	CO6892		(H275)	Boccola	Bush
101	CO10321		Assembly (H220)	Mandrino	Spindle

(*): fuori produzione / out of production

● : ricambio consigliato / spare part suggested