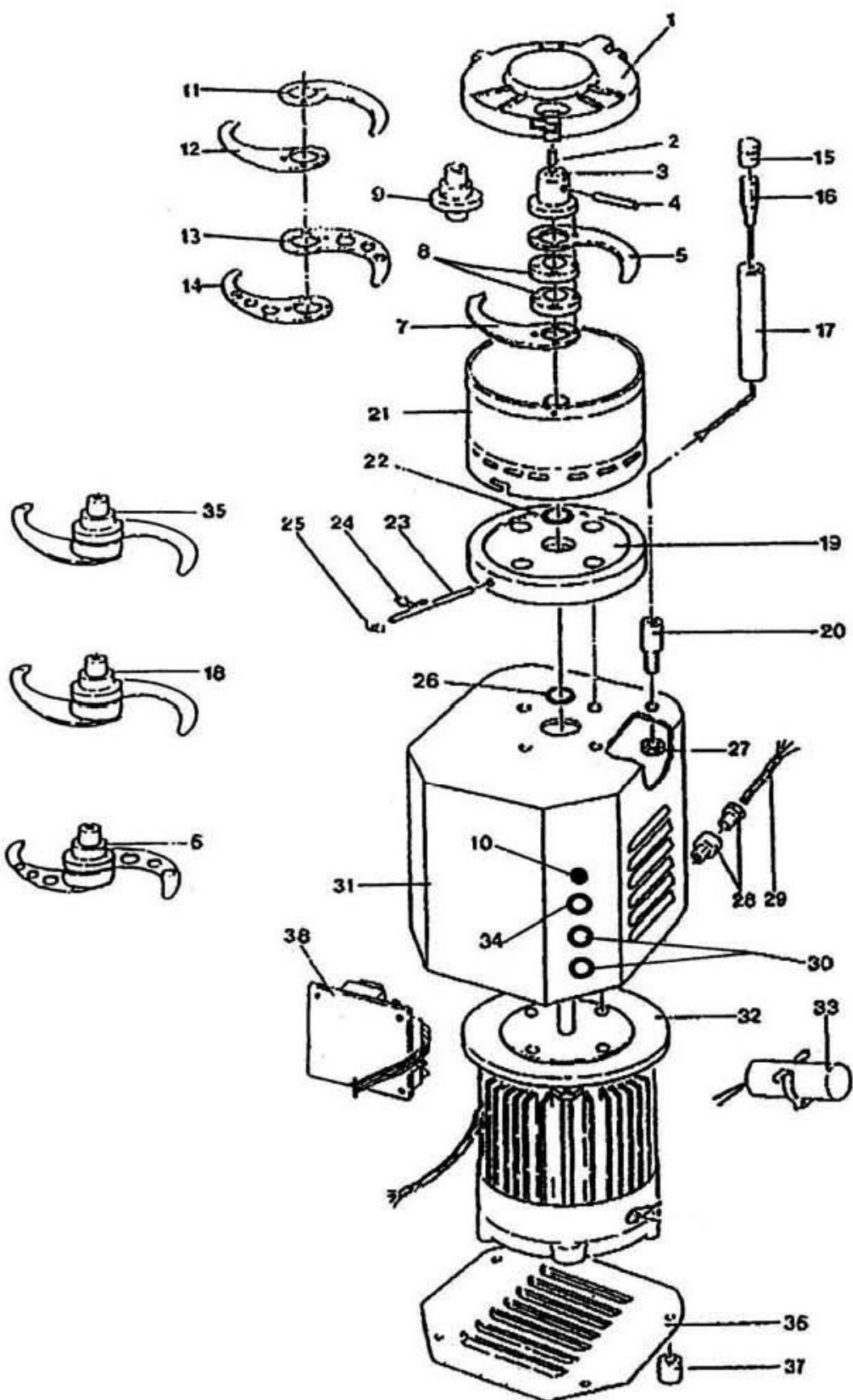


Cutter mod.C300-500-800

Cutter mod.C300-500-800



CUTTER MOD.C300-500-800
CUTTER MOD.C300-500-800

Rif No	Codice Code	Caratteristiche Characteristics	Descrizione Description	
1	CO2500	(C300)	Coperchio	Cover
1	CO2501	(C500-800)	Coperchio	Cover
2	CO2502		Grano	Grub screw
3	CO2504	(C500-800)	Supporto	Support
4	CO2505		Spina	Pin
5	CO2513	(C300)	Lama liscia	Smooth blade
5	CO2514	(C500-800)	Lama liscia	Smooth blade
6	COLC300SBA	(C300)	Coltello sbattitore	Beater cutter
6	COLC500800SBA	(C500-800)	Coltello sbattitore	Beater cutter
6	COLC5008002VAS	(C500-800 2 speed)	Coltello sbattitore	Beater cutter
7	CO2517	(C300)	Lama liscia	Smooth blade
7	CO2518	(C500-800)	Lama liscia	Smooth blade
8	CO2523	(C300)	Distanziale	Spacer
8	CO2524	(C500-800)	Distanziale	Spacer
9	CO2503	(C300)	Supporto	Support
10	SL1051		Lampada	Lamp
11	CO2555	(C300)	Lama dentata	Toothed blade
11	CO2556	(C500-800)	Lama dentata	Toothed blade
12	CO2557	(C300)	Lama dentata	Toothed blade
12	CO2558	(C500-800)	Lama dentata	Toothed blade
13	CO2559	(C300)	Lama sbattitrice	Beater blade
13	CO2560	(C500-800)	Lama sbattitrice	Beater blade
14	CO2561	(C300)	Lama sbattitrice	Beater blade
14	CO2562	(C500-800)	Lama sbattitrice	Beater blade
15	CO2520		Copertura	Covering
16	CO2521		Microinterruttore	Microswitch
17	CO2522		Distanziale	Spacer
18	COLC300DEN	(C300)	Coltello dentato	Toothed cutter
18	COLC500800DEN	(C500-800)	Coltello dentato	Toothed cutter
18	COLC5008002VAD	(C500-800 2 speed)	Coltello dentato	Toothed cutter
19	CO2511	(C300)	Flangia	Flange
19	CO2512	(C500-800)	Flangia	Flange
20	CO2527		Perno	Pivot
21	CO2506	(C300)	Pentola	Pan
21	CO2507	(C500)	Pentola	Pan
21	CO2508	(C800)	Pentola	Pan
22	CO2510		Anello	Ring
23	CO2531		Perno	Pivot
24	CO2532		Molla	Spring
25	CO2533		Boccola	Bush
26	CO2519		Paraolio	Oil seal
26	CO2554		Paraolio	Oil seal
27	CO2563		Dado	Nut
28	CO2537		Pressacavo	Cable clamp
29	SL1671	1Ph+N+Gnd	Cavo elettrico	Electric cable
29	SL1841	3Ph+Gnd	Cavo elettrico	Electric cable
30	SL1049	Start	Pulsante	Push button
30	SL0901	2 speed	Pulsante	Push button
30	SL1539	Impulse	Pulsante	Push button
31	CO2525	(C300)	Carcassa	Housing
31	CO2526	(C500-800)	Carcassa	Housing
32	CO2546	400V/3Ph/50Hz (C300)	Motore	Motor
32	CO2547	230V/1 Ph/50Hz (C300)	Motore	Motor
32	CO2548	400V/3Ph/50Hz (C500-800)	Motore	Motor
32	CO2549	230V/1 Ph/50Hz (C500-800)	Motore	Motor
32	CO2550	400V/3Ph/50Hz (C500-800)	Motore 700/1400rpm	Motor 700/1400rpm
32	CO2565	400V/3Ph/50Hz (C500-800)	Motore 1400/2800rpm	Motor 1400/2800rpm
33	CO2534	(C300)	Condensatore	Condenser
33	CO2564	(C500-800)	Condensatore	Condenser
34	SL0945	Stop	Pulsante	Push button
35	COLC300TAG	(C300)	Coltello liscio	Smooth cutter
35	COLC500800TAG	(C500-800)	Coltello liscio	Smooth cutter
35	COLC5008002VAT	(C500-800 2 speed)	Coltello liscio	Smooth cutter
36	CO2551	(C300)	Fondo	Bottom
36	CO2552	(C500-800)	Fondo	Bottom
37	CO2543		Piedino	Foot
38	CO2541	400V/3Ph/50Hz	Scheda elettronica	Electronic card
38	CO2542	230V/1 Ph/50Hz	Scheda elettronica	Electronic card
38	CO2553	400V/3Ph/50Hz (2 speed)	Scheda elettronica	Electronic card

(*): fuori produzione / out of production