

ALEX DUETTO IV MACHINE

MK000605 COFFEE MAC. ALEX DUETTO IV 110V
MK000607 COFFEE MAC. ALEX DUETTO IV 110V INOX
MK000604 COFFEE MAC. ALEX DUETTO IV 220V
MK000606 COFFEE MAC. ALEX DUETTO IV 220V AUST.
MK000608 COFFEE MAC. ALEX DUETTO IV 220V INOX

TAV. 1 - EXPLODED VIEW BODYWORK
TAV. 2 - EXPLODED VIEW BOILER D.120
TAV. 3 - EXPLODED VIEW BOILER D.80
TAV. 4 - EXPLODED VIEW FRONT COMPONENTS

TAV. 5 - EXPLODED VIEW DETAILS 1 AND 2
TAV. 6 - EXPLODED VIEW CONTR. UNIT
TAV. 7 - EXPLODED VIEW INTERNAL TANK
TAV. 8 - EXPLODED VIEW HYDRAULIC PUMP



EXPLODED VIEWS

IZZO
Espresso Coffee Machines

Gruppo Izzo srl
Via Morolense, Km 2 03012 Anagni (FR)

**RICAMBI
SPARE PARTS
PIECES DETACHEES
ERSATZTEILE
REPUESTOS**

LEGEND TAV. 1

FE82	HEXAGONAL NUT INOX M6
FE164	SCREW INOX TE M6X10
FE730	OMEGA-SHAPE STIRRUP FOR DRAIN PIPE ALEX
FE1227	POLISHED HANDLE D.8 X UPPER GRID DUETTO
FE1250	INOX BASE FRAME
FE1251	DUETTO FRONT STEEL
FE1252	CLAMSHELL INOX
FE1253	INOX UPPER GRID
FE1254	LOWER TANK INOX
FE1260	GROUP REINFORCEMENT ALEX DUETTO
FE1261	RELAY BRACKET ON THE REINFORCEMENT
FE1524	PLANT PROTECTION BRACKET
FE1548	DUETTO RIGHT BODYSIDE
FE1549	DUETTO LEFT BODYSIDE
FE1550	DUETTO REAR BODYSIDE
FE1552	ALEX PART. 1 UNDERCOVER
FE1553	ALEX PART. 2 UNDERCOVER
FE1554	EVO BRACKET MATCHING RESISTOR COVER
EL1	MICROSWITCH
EL148	PROTECTIVE CAP FOR RECTANGULAR SWITCH
EL200	RECTANGULAR BIPOLAR SWITCH 22X30
EL253	UNI SWITCH 0-1 BLACK 250V 16A
EL255	CAP PROT. X UNI SWITCH
EL335	ROCKER SWITCH SERIES RC ON-OFF
EL338	CAP PROT. X ROCKER SWITCH
TF1	GROUP GASKET 66X64X2
TF258	STOPPER DIAM. 14 FOR DRIP-TRAY ALEX
TF303	CHROMED METAL FOOT D.40X35 FOR ALEX
TF501	"ALEX DUETTO" STICKER
TF504	TRANSPARENT SANTOPRENE STRIP X CUP TRAY
TF509	"COFFEE" STICKER FOR DUETTO
TF510	"STEAM" STICKER FOR DUETTO
TF512	TEFLON WASHER 8X4X2MM

LEGEND TAV. 2

EL40	SILICONE TUBE D.6
EL237	TEMPERATURE PROBE FOR TERMOPIID
EL246	1"E1/4 V.220 W.1450 L 11,5 RESISTENCE
EL251	1"E1/4 V.110 W.1200 L11,5 RESISTENCE
FE42	BRASSY NIPPLES 1/4X1/4M L.28MM
FE44	JUNCTION 1/4M BSP CONICAL SHAPE
FE46	BRASSY NIPPLES 1/8X1/8M
FE50	NIPPLE 1/8X1/4 M H23 CONE-SHAPED
FE72	NON RETURN VALVE 1/8M-1/8F IN VITON
FE74	VACUUM VALVE 1/4M
FE210	JUNCTION 1/4X1/8 MM CONE-SHAPED
FE498	T-SHAPE JUNCTION 1/4MMF
FE604	JUNCTION 1/4 FF
FE680	COPPER WASHER 13,5 X 18 X 1
FE691	COPPER WASHER 17X22X1,5
FE863	THREADED ROD M4
FE969	LEVEL PROBE FOR ALEX DUETTO
FE1172	SAFETY VALVE T.2.2 BAR-O 3/8" GAS M.
FE1223	EXPANSION VALVE D26 G1/4
FE1560	REDUCTION 1/54M - 1/8F
FE1567	CLEAN TAP VITON 1/8
FE2048	JUNCTION 1/8 MF CONE-SHAPED
PM387	SINTERED DISC FILTER D.8XH2 ALEX DUETTO
PM391	BOILER D.120 COPPER
PM401	PIPE WATER VALVE
PM402	PIPE STEAM VALVE FOR ALEX DUETTO
PM405	PIPE BETWEEN SOLENOID VALVE AND BOILER
PM406	PIPE BETWEEN SOLEN.VAL AND T-SHAPE JUN.
PM412	DIP TUBE ALEX DUETTO
PM413	SOLENOID VALVE V230 - 50/60HZ
PM414	SOLENOID VALVE V110 - 50/60HZ
PM427	BRASSY HOSE CONNECTOR 1/8MXF9
PM475	PIPE BETWEEN BOILER AND EXPANSION VALVE
PM547	BOILER D.120 INOX 316
PM575	DUETTO EVO STEAM TAP PIPE
TF21	TEFLON GASKET DUETTO 41.5X50.9X4
TF35	TEFLON GASKET FOR INJECTOR 16X13.5X4
TF53	SILICONE PIPE 6X10
TF497	INSULATION FOR DUETTO BOILER PM 391

LEGEND TAV. 3

EL40	SILICONE TUBE D.6
EL87	THERMOSTAT 145° 16A
EL237	TEMPERATURE PROBE FOR TERMOPIID
EL240	RESISTENCE 1"E1/4 V.220 W.1000 L 11,5
EL252	RESISTENCE 1"E1/4 V.110 W.800 L11,5
FE42	BRASSY NIPPLES 1/4X1/4M L.28MM
FE210	JUNCTION 1/4X1/8 MM CONE-SHAPED
FE680	COPPER WASHER 13,5 X 18 X 1
FE863	THREADED ROD M4
FE1560	REDUCTION 1/54M - 1/8F
FE1567	CLEAN TAP VITON 1/8
PM392	BOILER D.80 RAME
PM399	BOTTOM TUBE BOILER 0.8 LT DUETTO
PM404	UPPER TUBE BOILER 0.8 LT DUETTO
PM548	BOILER D.80 INOX 316
PM578	EMPTYING TUBE BOILER COFFEE DUETTO
TF21	TEFLON GASKET DUETTO 41,5X50,9X4
TF544	INSULATION FOR DUETTO BOILER PM392

LEGEND TAV. 4

FE1	LEVER ASSEMBLY
FE16	RING FOR FILTER HOLDER
FE17	FILTER 1TZ AISI 304 14GR
FE18	FILTER 2TZ FAEMA AISI 304 14GR
FE681	CABLE TIE
FE1150	WATER VALVE DUETTO WHIT WATER WAND
FE1152	STEAM VALVE DUETTO WHIT STEAM WAND
FE1226	LOWER GRID DUETTO
FE1229	FILTER HOLDER ONE SPOUT INCLINED HANDLE
FE1230	FILTER HOLDER TWO SPOUTS INCL. HANDLE
FE1341	CHROMED "WATER/ACQUA" STOPPER DUETTO
FE1342	CHROMED "STEAM/VAPORE" STOPPER DUETTO
TF33	HOSE HARMORVIN D.16
TF228	PLASTIC DRIP TRAY
TF543	KNOB FOR DUETTO COFFEE MACHINE
PM529	PRESSURE GAUGE DM.41 SCALA 0:16
PM530	PRESSURE GAUGE DM.41 SCALA 0:3

LEGEND TAV. 5 Part. 1

071	UPPER CAP CHROME GROUP
07100	WASHER STAINLESS A2 3.2X7 UNI 6592
07103	DISPENSING VALVE GROUP
07104	PTFE TRIMMING VER + 2.5% VTR 10X6X1
07105	WASHER EP709 15.8X7.8X4 EPDM756H
07106	GROUP SPRAYER DIAM. 30
07109	LOWER VALVE GROUP
07110	COMPASS SPRING GUIDE
07111	VALVE 2-PIECE ROUND WITH TRIANGLE
0712	INOX FILTER DIAM. 8.5X22LD 0.75SP 0.15
07138	CAMSHAFT ADJUSTED
07178	LOWER SLEEVE CHROME GROUP
07206	SPRING GROMMET-PRESSED GROUP
07207	CHROME CAP GROMMET-PRESSED ES22
07208	BOTTOM CONNECTOR TYPE RC 26X26
0721	VALVE SPRING SUPPLY
07283	SCREW TCEI INOX M6X8
07310	COMPASS FRINGE WATER D15X6
07311	PRISONER FOR GROUP AUT./LEVER
0734	UPPER SLEEVE CHROME GROUP
0740	INTERNAL RELIEF SPRING TO THE LEVER GR.
07446	CAM HOLDERS CHROME LEVER GROUP
0747	COMPASS GROMMET-PRESSED
07604	INJECTOR INOX 304 CH. 7x9 M6XO 75 FO, 7
0772	GASKET PTFE VIRGIN 35X30X2
078	GASKET TF22X17X2
0780	OR 128/20.63X2.62 NBR70SH E1851
0792	WASHER EP901 13X4X4 EPDM 75SH VAP
FE7	SHOWER FILTER INOX E61
FE8	GASKET SAUCER H 8.5 E61
FE1340	SLEEVE TOP POLISHED
FE2057	IRONWARE
TF10	GASKET TF 26X21X2 X CONNECTING PIPE A/R
TF14	BLACK JOYSTICK KNOB

LEGEND TAV. 5 Part. 2

FE53	LOCKNUT 1/4 H5E517
FE259	INSULATED STEEL VAPOR WAND
FE264	INSULATED STEEL WATER WAND
FE1153	DUETTO III VALVE WHITOUT TAP
FE1262	TUBE PTFE SP.1 SPEAR INSULATION
FE1331	3 SPACED HOLES (120°) VAPORIZER
FE1332	4 SPACED HOLES (90°) VAPORIZER
FE1333	3 HOLES VAPORIZER 120° + 1 CENTRAL
FE1341	CHROMED "WATER/ACQUA" STOPPER DUETTO
FE1342	CHROMED "STEAM/VAPORE" STOPPER DUETTO
FE1345	WASHER FOR BONNET D11
FE1346	ELASTIC RING FOR DUETTO STEAM/WATER TAP
FE1347	STEAM TIPS KIT
FE2018	EXTENSION SLEEVE 1/4MX1/4F
TF543	KNOB FOR DUETTO COFFEE MACHINE
07112	SPRING GUIDE D.12 H.5
07113	SPRING TYPE X
07114	GASKET PTFE 21X16,8
07271	OR10 (12.1X2.7 EPDM 70 BLACK)
07400	CAPPUCCHIO VAPORIZZATORE INOX A 4 FORI
07410	OR 6X1 NBR70SH X SPRUZZATORE INOX
07448	VAPORIZER HOOD INOX A 2 HOLES
07479	OR 5X1 RED SILICONE 70SH
07560	SILIC. TABLET FDA 12.3X5.6
07593	HEX NUT RUB. CHRIS
07599	OR ROD RUB. FE 1150
07601	SPRING TYPE S

LEGEND TAV. 6

07605	CONNECTING CABLE TERMOPIID/OPTO 150 MM
EL65	WATER LEVEL REGULATOR 220V X VIVI/ALEX
EL180	WATER LEVEL REGULATOR 110V X VIVI/ALEX
EL234	OPTO BOARD ISOLATED OPTO INPUT
EL236	RELAY FOR TERMOPIID 4-32VDC 25A 280V
EL273	TERMOPIID 100K DISPLAY DUETTO
EL275	SAFETY COVER FOR RELE' - TERMOPIID
EL285	TRANSFORMER 220V DUETTO
EL286	TRANSFORMER 110V DUETTO
EL363	LED WARNING LIGHT
FE846	STEEL BRACKET FOR SOLID-STATE RELAY

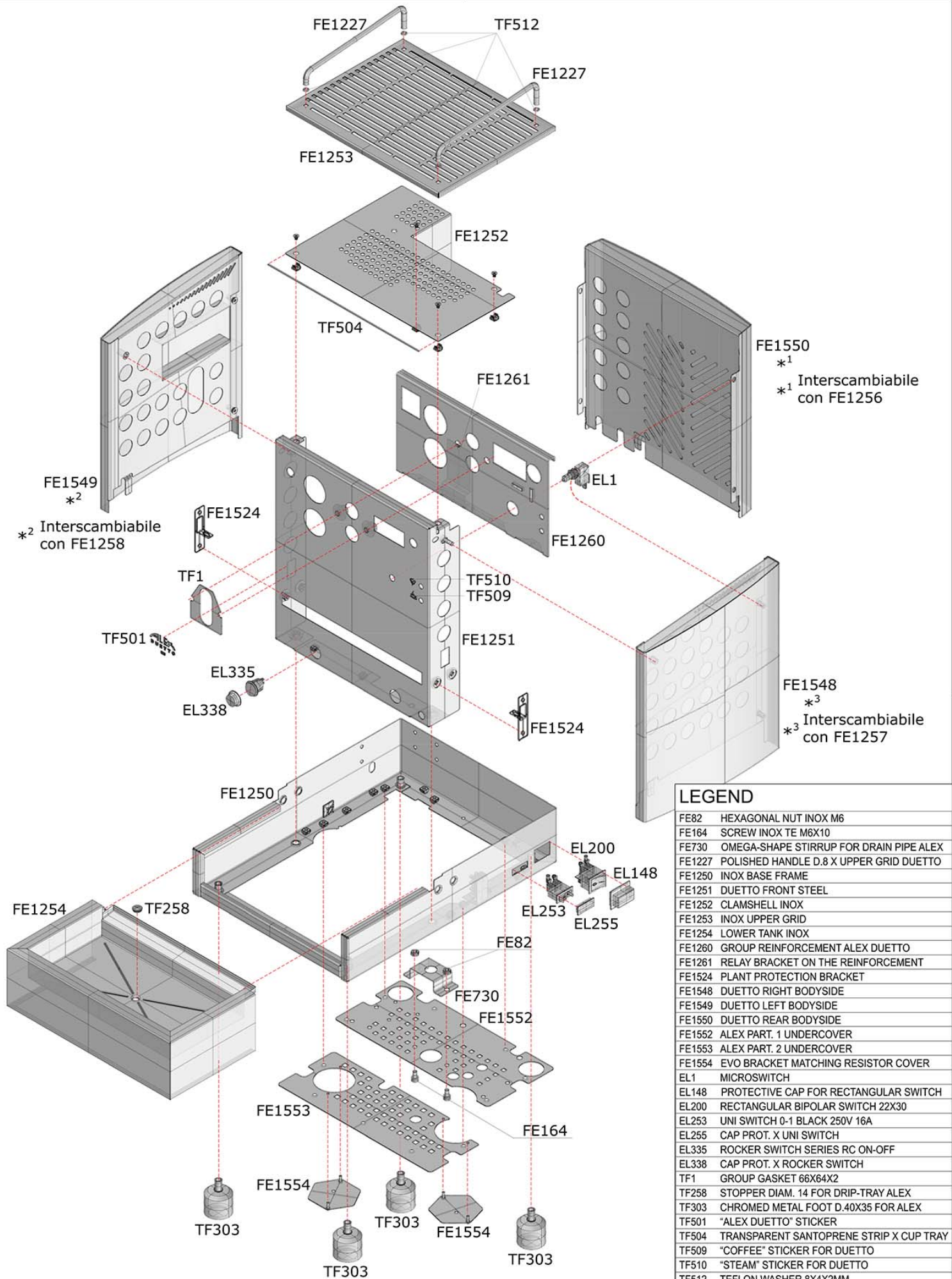
LEGEND TAV. 7

EL345	REED SENSOR AND FLOAT
EL443	FLOAT X SENSOR EL345
FE36	LOCK NUT 3/8 ES.24 H7
FE40	JUNCTION P3/8X3/8 ES21
FE42	BRASSY NIPPLES 1/4X1/4M L.28MM
FE45	JUNCTION 1/4 MF
FE688	CYLINDRICAL HOSE MALE 9-1/4
FE695	THREE-WAY VALVE
FE734	FLEXIBLE HOSE CM.100-CURVE 3/8F DUETTO
FE1255	TANK DOOR INOX
TF53	SILICONE PIPE 6X10
TF334	DUETTO WATER TANK COVER
TF335	WATER TANK
PM398	DUETTO PIPE FOR CON. TO WAT. SUPPLY CHAIN

LEGEND TAV. 8

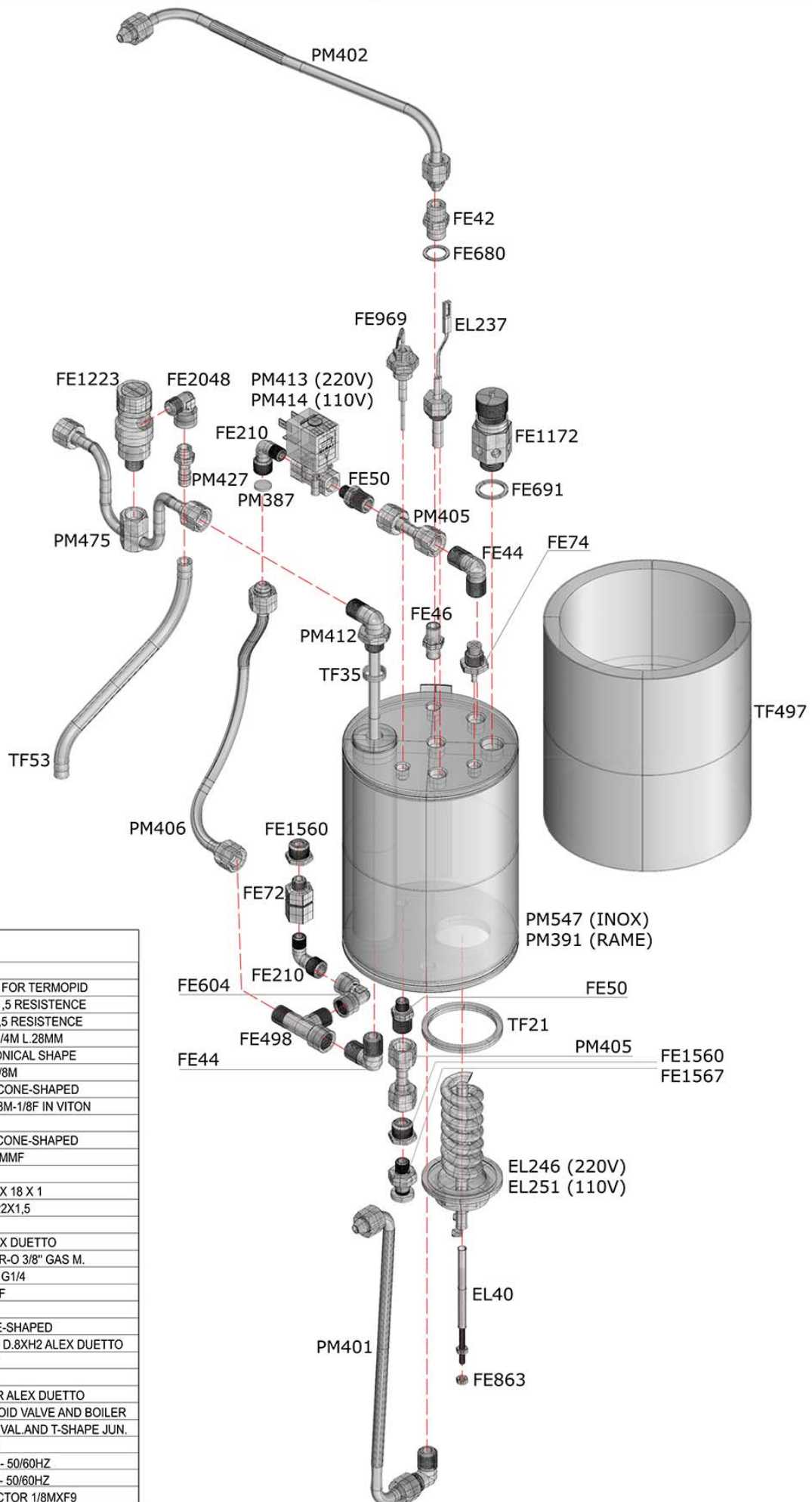
FE44	JUNCTION 1/4 MASCHIO BSP CONICAL SHAPE
FE45	JUNCTION 1/4 MF
FE208	JUNCTION 1/4X3/8 MM
FE498	T-SHAPE JUNCTION 1/4 MMF
FE1555	DUETTO SUPPORT BRACKET POMP
FE1556	REINFORCED PUMP SUPPORT DUETTO
PM84	MOTOR 110V 120W 50/60HZ
PM301	MOTOR 230V 120W 50HZ
PM302	ROTARY PRESS P0102
PM397	CYLINDRICAL VIBRATION DAMPER FOR PM84
PM580	HOSE PUMP PRESSURE GAUGE DUETTO
FE1479	MORE M.F 1/8 1/4
FE2035	FLEXIBLE HOSE CM.18 BEND 1/4 FF
FE2036	FLEXIBLE HOSE CM.30 BEND 1/4 - 1/4 FF
TF1490	SHEATH ENGINE BRACKET DUETTO IV/EVO

IZZO <i>Espresso Coffee Machines</i> Gruppo Izzo srl Via Morelense, Km 2 03012 Anagni (FR)	DENOMINAZIONE DISEGNO: <i>Duetto IV Machine Index</i>		NUMERO DISEGNO/ASSIEME: AD Tav.0	REV: <i>01</i>
	SCALA DI STAMPA:	DATA:	Proprietà della GRUPPO IZZO senza autorizzazione scritta della stessa il presente disegno non può essere utilizzato, divulgato o riprodotto.	
DIS. : <i>Ufficio Tecnico</i>	FORMATO:	SCALA:	U. di M. :	CONTROLLATO:



LEGEND	
FE82	HEXAGONAL NUT INOX M6
FE164	SCREW INOX TE M6X10
FE730	OMEGA-SHAPE STIRRUP FOR DRAIN PIPE ALEX
FE1227	POLISHED HANDLE D.8 X UPPER GRID DUETTO
FE1250	INOX BASE FRAME
FE1251	DUETTO FRONT STEEL
FE1252	CLAMSHELL INOX
FE1253	INOX UPPER GRID
FE1254	LOWER TANK INOX
FE1260	GROUP REINFORCEMENT ALEX DUETTO
FE1261	RELAY BRACKET ON THE REINFORCEMENT
FE1524	PLANT PROTECTION BRACKET
FE1548	DUETTO RIGHT BODYSIDE
FE1549	DUETTO LEFT BODYSIDE
FE1550	DUETTO REAR BODYSIDE
FE1552	ALEX PART. 1 UNDERCOVER
FE1553	ALEX PART. 2 UNDERCOVER
FE1554	EVO BRACKET MATCHING RESISTOR COVER
EL1	MICROSWITCH
EL148	PROTECTIVE CAP FOR RECTANGULAR SWITCH
EL200	RECTANGULAR BIPOLAR SWITCH 22X30
EL253	UNI SWITCH 0-1 BLACK 250V 16A
EL255	CAP PROT. X UNI SWITCH
EL335	ROCKER SWITCH SERIES RC ON-OFF
EL338	CAP PROT. X ROCKER SWITCH
TF1	GROUP GASKET 66X64X2
TF258	STOPPER DIAM. 14 FOR DRIP-TRAY ALEX
TF303	CHROMED METAL FOOT D.40X35 FOR ALEX
TF501	"ALEX DUETTO" STICKER
TF504	TRANSPARENT SANTOPRENE STRIP X CUP TRAY
TF509	"COFFEE" STICKER FOR DUETTO
TF510	"STEAM" STICKER FOR DUETTO
TF512	TEFLON WASHER 8X4X2MM

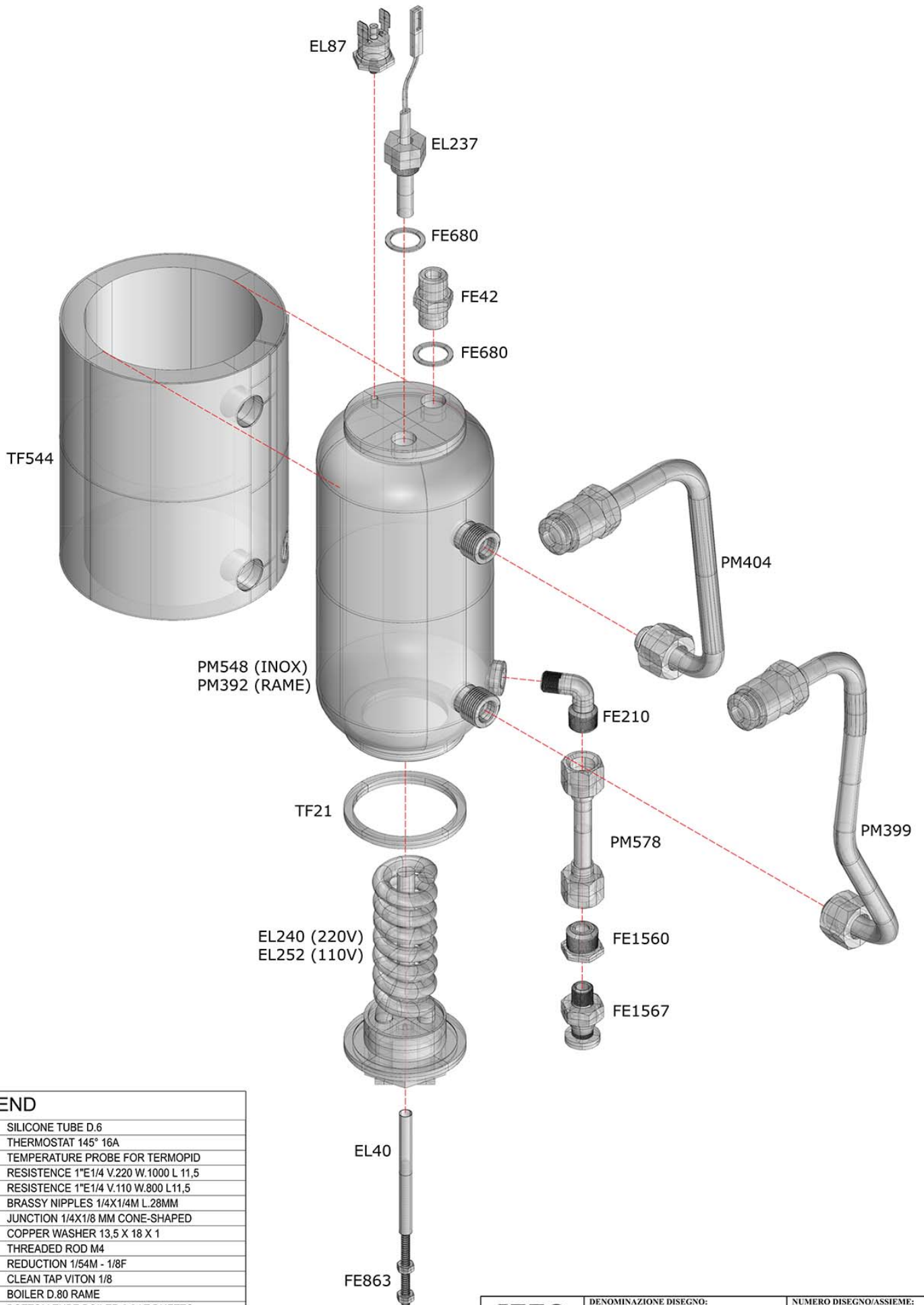
IZZO Espresso Coffee Machines Gruppo Izzo srl Via Morlense, Km 2 03012 Anagni (FR)	DENOMINAZIONE DISEGNO: <i>Duetto IV Exploded View bodywork</i>		NUMERO DISEGNO/ASSIEME: AD Tav.1	REV: 01
	SCALA DI STAMPA:	DATA:	Proprietà della GRUPPO IZZO senza autorizzazione scritta della stessa il presente disegno non può essere utilizzato, divulgato e riprodotto.	
DIS. : <i>Ufficio Tecnico</i>	FORMATO:	SCALA:	U. di M. :	CONTROLLATO:



LEGEND

EL40	SILICONE TUBE D.6
EL237	TEMPERATURE PROBE FOR TERMOPID
EL246	1"E1/4 V.220 W.1450 L 11,5 RESISTENCE
EL251	1"E1/4 V.110 W.1200 L11,5 RESISTENCE
FE42	BRASSY NIPPLES 1/4X1/4M L.28MM
FE44	JUNCTION 1/4M BSP CONICAL SHAPE
FE46	BRASSY NIPPLES 1/8x1/8M
FE50	NIPPLE 1/8X1/4 M H23 CONE-SHAPED
FE72	NON RETURN VALVE 1/8M-1/8F IN VITON
FE74	VACUUM VALVE 1/4M
FE210	JUNCTION 1/4X1/8 MM CONE-SHAPED
FE498	T-SHAPE JUNCTION 1/4MMF
FE604	JUNCTION 1/4 FF
FE680	COPPER WASHER 13,5 X 18 X 1
FE691	COPPER WASHER 17X22X1,5
FE863	THREADED ROD M4
FE969	LEVEL PROBE FOR ALEX DUETTO
FE1172	SAFETY VALVE T.2.2 BAR-O 3/8" GAS M.
FE1223	EXPANSION VALVE D26 G1/4
FE1560	REDUCTION 1/54M - 1/8F
FE1567	CLEAN TAP VITON 1/8
FE2048	JUNCTION 1/8 MF CONE-SHAPED
PM387	SINTERED DISC FILTER D.8XH2 ALEX DUETTO
PM391	BOILER D.120 COPPER
PM401	PIPE WATER VALVE
PM402	PIPE STEAM VALVE FOR ALEX DUETTO
PM405	PIPE BETWEEN SOLENOID VALVE AND BOILER
PM406	PIPE BETWEEN SOLEN.VAL AND T-SHAPE JUN.
PM412	DIP TUBE ALEX DUETTO
PM413	SOLENOID VALVE V230 - 50/60HZ
PM414	SOLENOID VALVE V110 - 50/60HZ
PM427	BRASSY HOSE CONNECTOR 1/8MXF9
PM475	PIPE BETWEEN BOILER AND EXPANSION VALVE
PM547	BOILER D.120 INOX 316
PM575	DUETTO EVO STEAM TAP PIPE
TF21	TEFLON GASKET DUETTO 41.5X50.9X4
TF35	TEFLON GASKET FOR INJECTOR 16X13.5X4
TF53	SILICONE PIPE 6X10
TF497	INSULATION FOR DUETTO BOILER PM 391

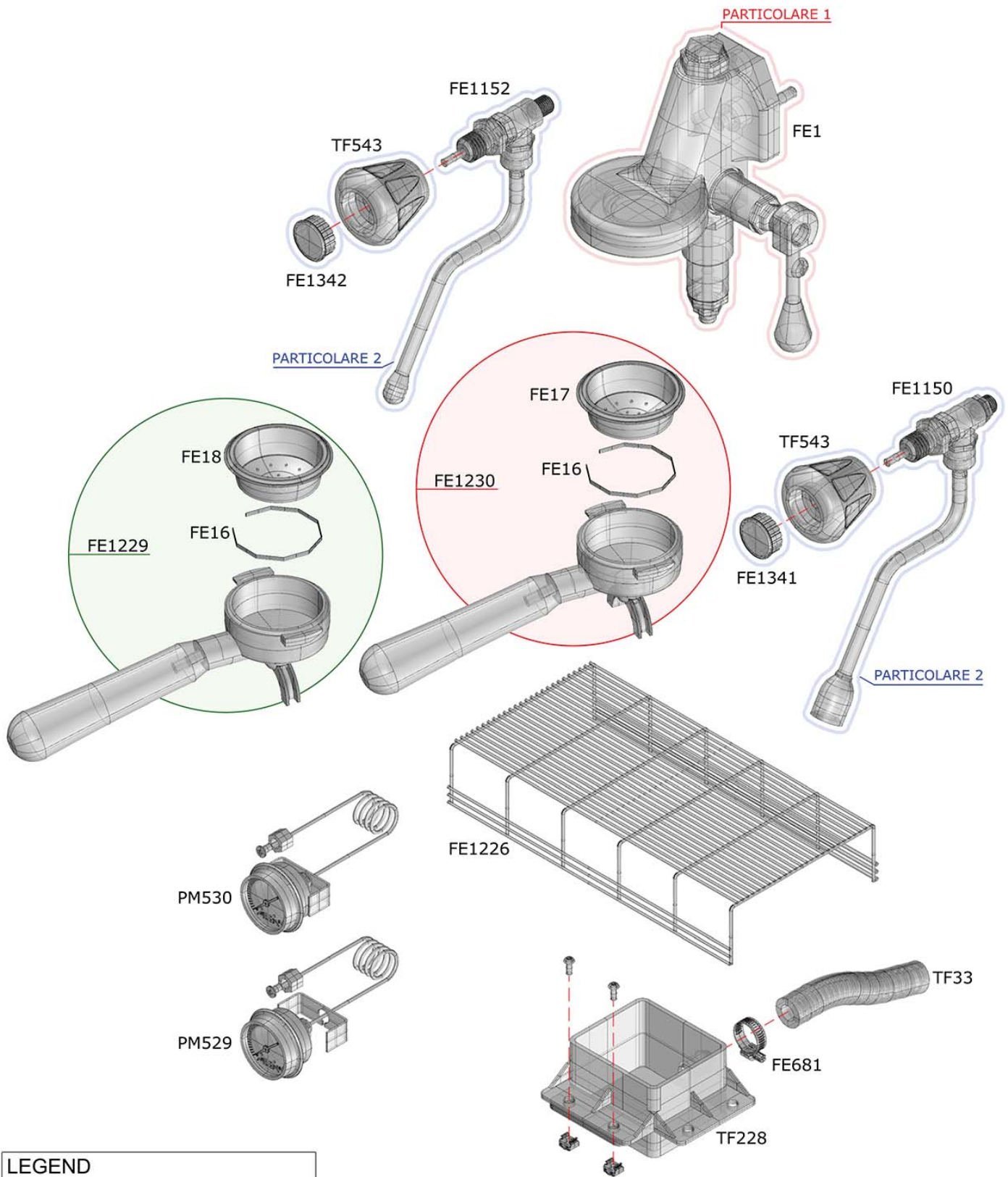
IZZO <i>Espresso Coffee Machines</i> Gruppo Izzo srl Via Morolense, Km 2 03012 Anagni (FR)	DENOMINAZIONE DISEGNO: Duetto IV Exploded View Boiler D.120		NUMERO DISEGNO/ASSIEME: AD Tav.2	REV: 01
	SCALA DI STAMPA:	DATA:	Proprietà della GRUPPO IZZO senza autorizzazione scritta della stessa il presente disegno non può essere utilizzato, divulgato o riprodotto.	
DIS. : <i>Ufficio Tecnico</i>	FORMATO:	SCALA:	U. di M. :	CONTROLLATO:



LEGEND

EL40	SILICONE TUBE D.6
EL87	THERMOSTAT 145° 16A
EL237	TEMPERATURE PROBE FOR TERMOPID
EL240	RESISTENCE 1"1/4 V.220 W.1000 L 11,5
EL252	RESISTENCE 1"1/4 V.110 W.800 L11,5
FE42	BRASSY NIPPLES 1/4X1/4M L.28MM
FE210	JUNCTION 1/4X1/8 MM CONE-SHAPED
FE680	COPPER WASHER 13,5 X 18 X 1
FE863	THREADED ROD M4
FE1560	REDUCTION 1/54M - 1/8F
FE1567	CLEAN TAP VITON 1/8
PM392	BOILER D.80 RAME
PM399	BOTTOM TUBE BOILER 0.8 LT DUETTO
PM404	UPPER TUBE BOILER 0.8 LT DUETTO
PM548	BOILER D.80 INOX 316
PM578	EMPTYING TUBE BOILER COFFEE DUETTO
TF21	TEFLON GASKET DUETTO 41,5X50,9X4
TF544	INSULATION FOR DUETTO BOILER PM392

IZZO <i>Espresso Coffee Machines</i> Gruppo Izzo srl Via Morlense, Km 2 03012 Anagni (FR)	DENOMINAZIONE DISEGNO: <i>Duetto IV Exploded View Boiler D.80</i>		NUMERO DISEGNO/ASSIEME:	REV:
	SCALA DI STAMPA:	DATA:	Proprietà della GRUPPO IZZO senza autorizzazione scritta della stessa il presente disegno non può essere utilizzato, divulgato o riprodotto.	
DIS. : <i>Ufficio Tecnico</i>	FORMATO:	SCALA:	U. di M. :	AD Tav.3 01
CONTROLLATO:				

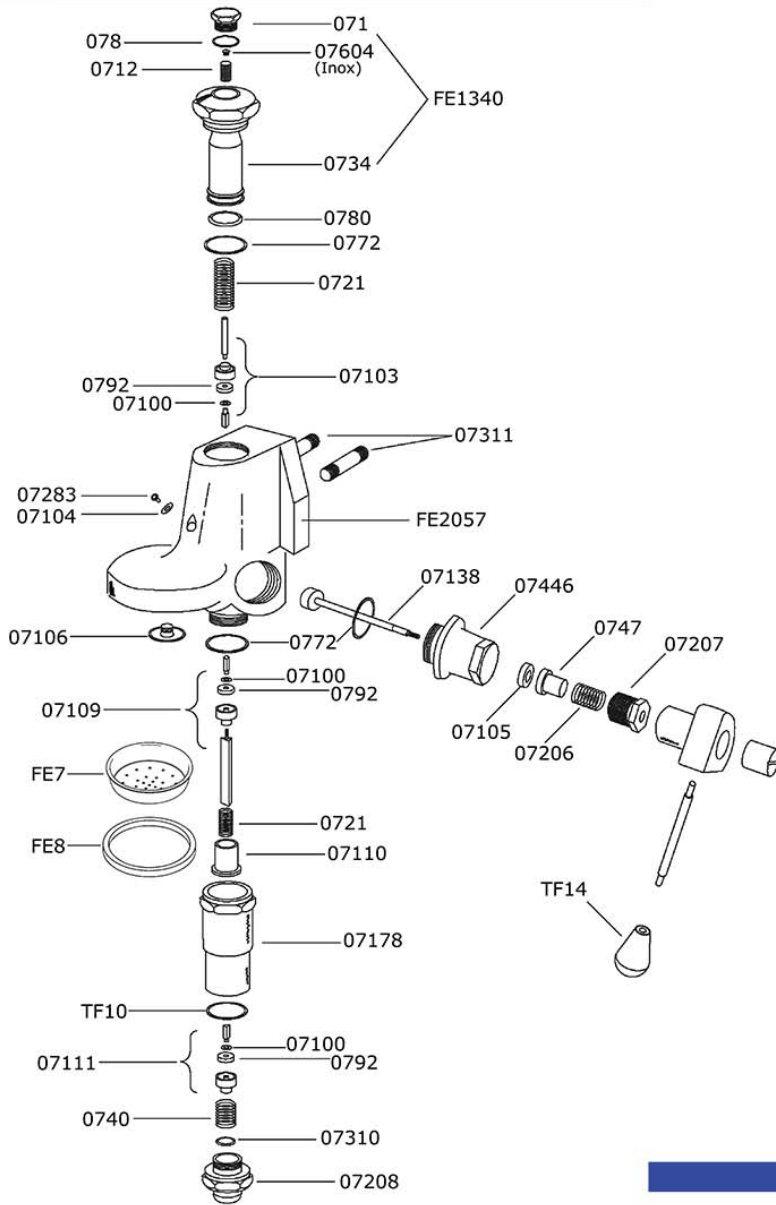


LEGEND

FE1	LEVER ASSEMBLY
FE16	RING FOR FILTER HOLDER
FE17	FILTER 1TZ AISI 304 14GR
FE18	FILTER 2TZ FAEMA AISI 304 14GR
FE681	CABLE TIE
FE1150	WATER VALVE DUETTO WHIT WATER WAND
FE1152	STEAM VALVE DUETTO WHIT STEAM WAND
FE1226	LOWER GRID DUETTO
FE1229	FILTER HOLDER ONE SPOUT INCLINED HANDLE
FE1230	FILTER HOLDER TWO SPOUTS INCL. HANDLE
FE1341	CHROMED "WATER/ACQUA" STOPPER DUETTO
FE1342	CHROMED "STEAM/VAPORE" STOPPER DUETTO
TF33	HOSE HARMORVIN D.16
TF228	PLASTIC DRIP TRAY
TF543	KNOB FOR DUETTO COFFEE MACHINE
PM529	PRESSURE GAUGE DM.41 SCALA 0:16
PM530	PRESSURE GAUGE DM.41 SCALA 0:3

IZZO <i>Espresso Coffee Machines</i> Gruppo Izzo srl Via Morlense, Km 2 03012 Anagni (FR)	DENOMINAZIONE DISEGNO: <i>Duetto IV Exploded View Front Components</i>		NUMERO DISEGNO/ASSIEME: AD Tav.4	REV: 01
	SCALA DI STAMPA:	DATA:	Proprietà della GRUPPO IZZO senza autorizzazione scritta della stessa il presente disegno non può essere utilizzato, divulgato o riprodotto.	
DIS.: <i>Ufficio Tecnico</i>	FORMATO:	SCALA:	U. di M.:	CONTROLLATO:

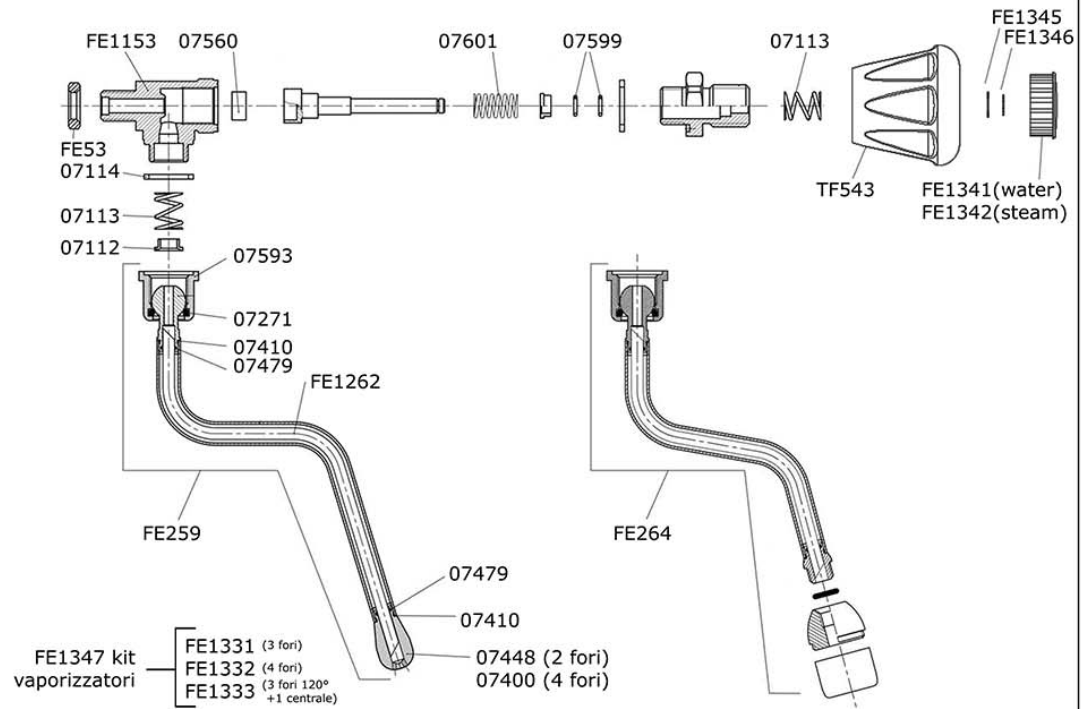
PARTICOLARE 1



LEGEND

071	UPPER CAP CHROME GROUP
07100	WASHER STAINLESS A2 3.2X7 UNI 6592
07103	DISPENSING VALVE GROUP
07104	PTFE TRIMMING VER + 2.5% VTR 10X6X1
07105	WASHER EP709 15.8X7.8X4 EPDM756H
07106	GROUP SPRAYER DIAM. 30
07109	LOWER VALVE GROUP
07110	COMPASS SPRING GUIDE
07111	VALVE 2-PIECE ROUND WITH TRIANGLE
0712	INOX FILTER DIAM. 8.5X22LD 0.75SP 0.15
07138	CAMSHAFT ADJUSTED
07178	LOWER SLEEVE CHROME GROUP
07206	SPRING GROMMET-PRESSED GROUP
07207	CHROME CAP GROMMET-PRESSED ES22
07208	BOTTOM CONNECTOR TYPE RC 26X26
0721	VALVE SPRING SUPPLY
07283	SCREW TCEI INOX M6X8
07310	COMPASS FRINGE WATER D15X6
07311	PRISONER FOR GROUP AUT./LEVER
0734	UPPER SLEEVE CHROME GROUP
0740	INTERNAL RELIEF SPRING TO THE LEVER GR.
07446	CAM HOLDERS CHROME LEVER GROUP
0747	COMPASS GROMMET-PRESSED
07604	INJECTOR INOX 304 CH. 7x9 M6X0 75 FO, 7
0772	GASKET PTFE VIRGIN 35X30X2
078	GASKET TF22X17X2
0780	OR 128/20.63X2.62 NBR70SH E1851
0792	WASHER EP901 13X4X4 EPDM 75SH VAP
FE7	SHOWER FILTER INOX E61
FE8	GASKET SAUCER H 8.5 E61
FE1340	SLEEVE TOP POLISHED
FE2057	IRONWARE
TF10	GASKET TF 26X21X2 X CONNECTING PIPE A/R
TF14	BLACK JOYSTICK KNOB

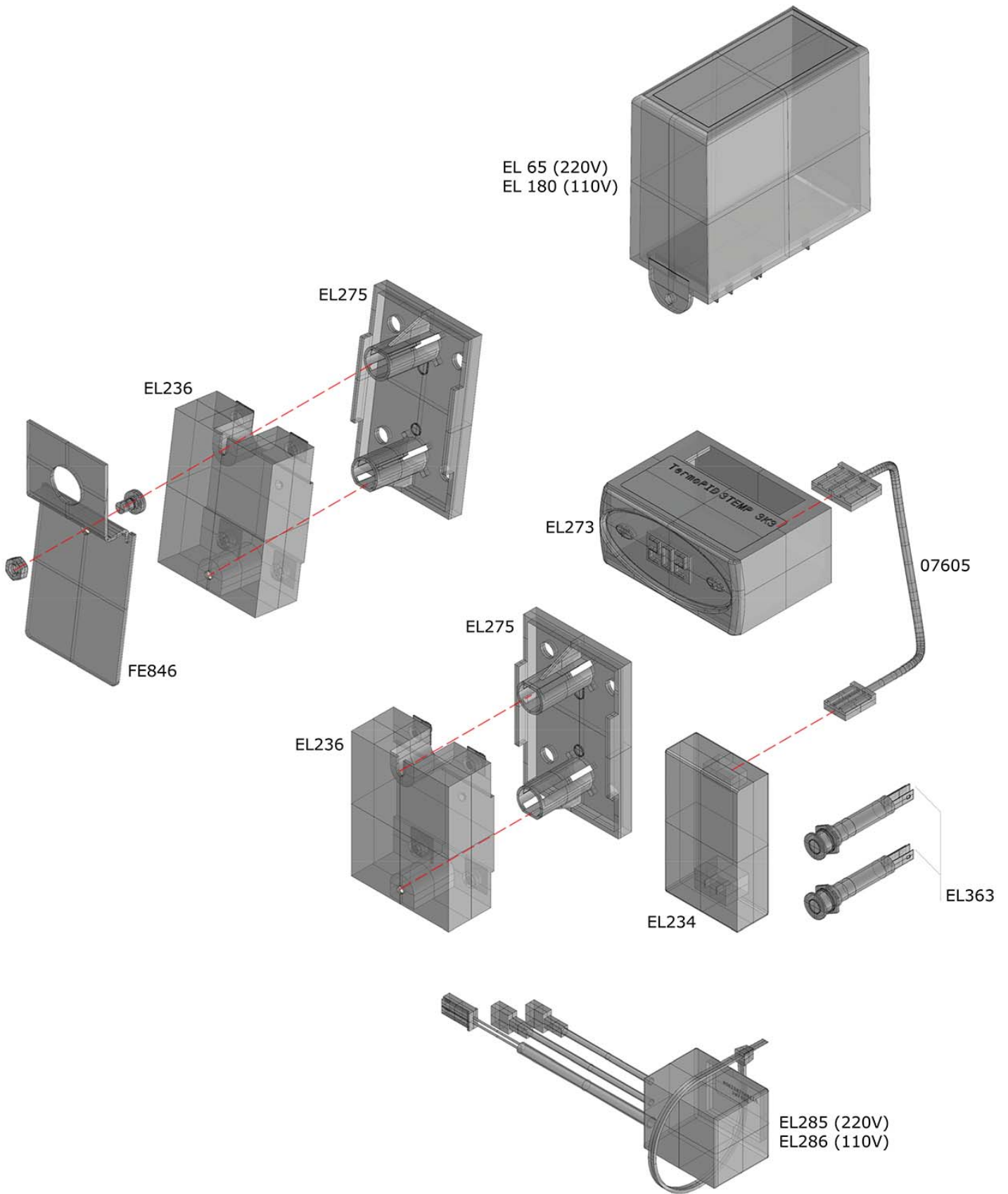
PARTICOLARE 2



LEGEND

FE53	LOCKNUT 1/4 H5E517
FE259	INSULATED STEEL VAPOR WAND
FE264	INSULATED STEEL WATER WAND
FE1153	DUETTO III VALVE WHITOUT TAP
FE1262	TUBE PTFE SP.1 SPEAR INSULATION
FE1331	3 SPACED HOLES (120°) VAPORIZER
FE1332	4 SPACED HOLES (90°) VAPORIZER
FE1333	3 HOLES VAPORIZER 120° + 1 CENTRAL
FE1341	CHROMED "WATER/ACQUA" STOPPER DUETTO
FE1342	CHROMED "STEAM/VAPORE" STOPPER DUETTO
FE1345	WASHER FOR BONNET D11
FE1346	ELASTIC RING FOR DUETTO STEAM/WATER TAP
FE1347	STEAM TIPS KIT
FE2018	EXTENSION SLEEVE 1/4MX1/4F
TF543	KNOB FOR DUETTO COFFEE MACHINE
07112	SPRING GUIDE D.12 H.5
07113	SPRING TYPE X
07114	GASKET PTFE 21X16,8
07271	OR10 (12.1X2.7 EPDM 70 BLACK)
07400	CAPPUCCIO VAPORIZZATORE INOX A 4 FORI
07410	OR 6X1 NBR70SH X SPRUZZATORE INOX
07448	VAPORIZER HOOD INOX A 2 HOLES
07479	OR 5X1 RED SILICONE 70SH
07560	SILIC. TABLET FDA 12.3X5.6
07593	HEX NUT RUB. CHRIS
07599	OR ROD RUB. FE 1150
07601	SPRING TYPE S

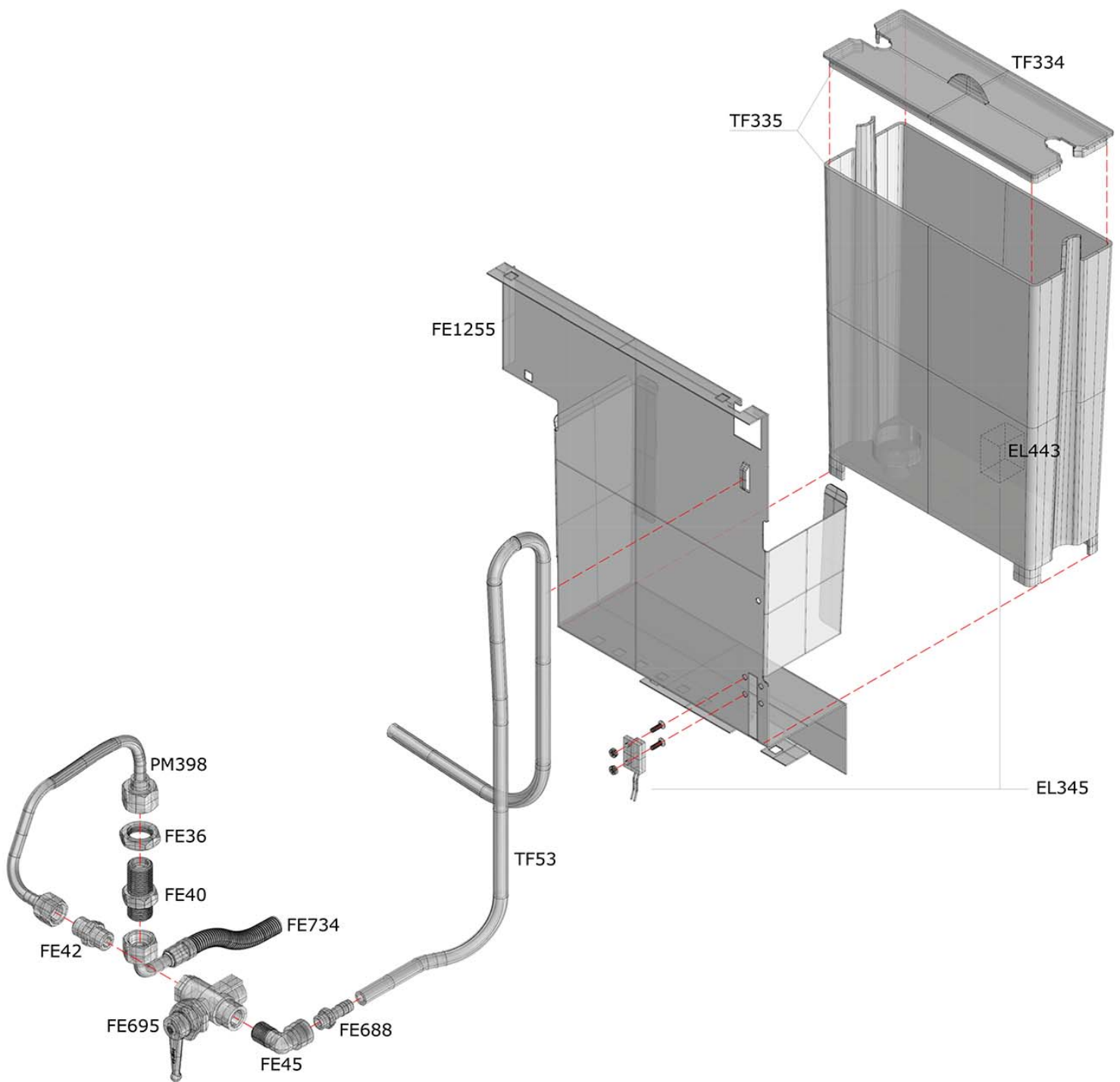
IZZO <i>Espresso Coffee Machines</i> Gruppo Izzo srl Via Morlense, Km 2 03012 Anagni (FR)	DENOMINAZIONE DISEGNO: Duetto IV Exploded View Details 1 - 2		NUMERO DISEGNO/ASSIEME: AD Tav.5	REV: 01
	SCALA DI STAMPA:	DATA:	Proprietà della GRUPPO IZZO senza autorizzazione scritta della stessa il presente disegno non può essere utilizzato, divulgato e riprodotto.	
DIS. : <i>Ufficio Tecnico</i>	FORMATO:	SCALA:	U. di M.:	CONTROLLATO:



LEGEND

07605	CONNECTING CABLE TERMOPID/OPTO 150 MM
EL65	WATER LEVEL REGULATOR 220V X VIVI/ALEX
EL180	WATER LEVEL REGULATOR 110V X VIVI/ALEX
EL234	OPTO BOARD ISOLATED OPTO INPUT
EL236	RELAY FOR TERMOPID 4-32VDC 25A 280V
EL273	TERMOPID 100K DISPLAY DUETTO
EL275	SAFETY COVER FOR RELE' - TERMOPID
EL285	TRANSFORMER 220V DUETTO
EL286	TRANSFORMER 110V DUETTO
EL363	LED WARNING LIGHT
FE846	STEEL BRACKET FOR SOLID-STATE RELAY

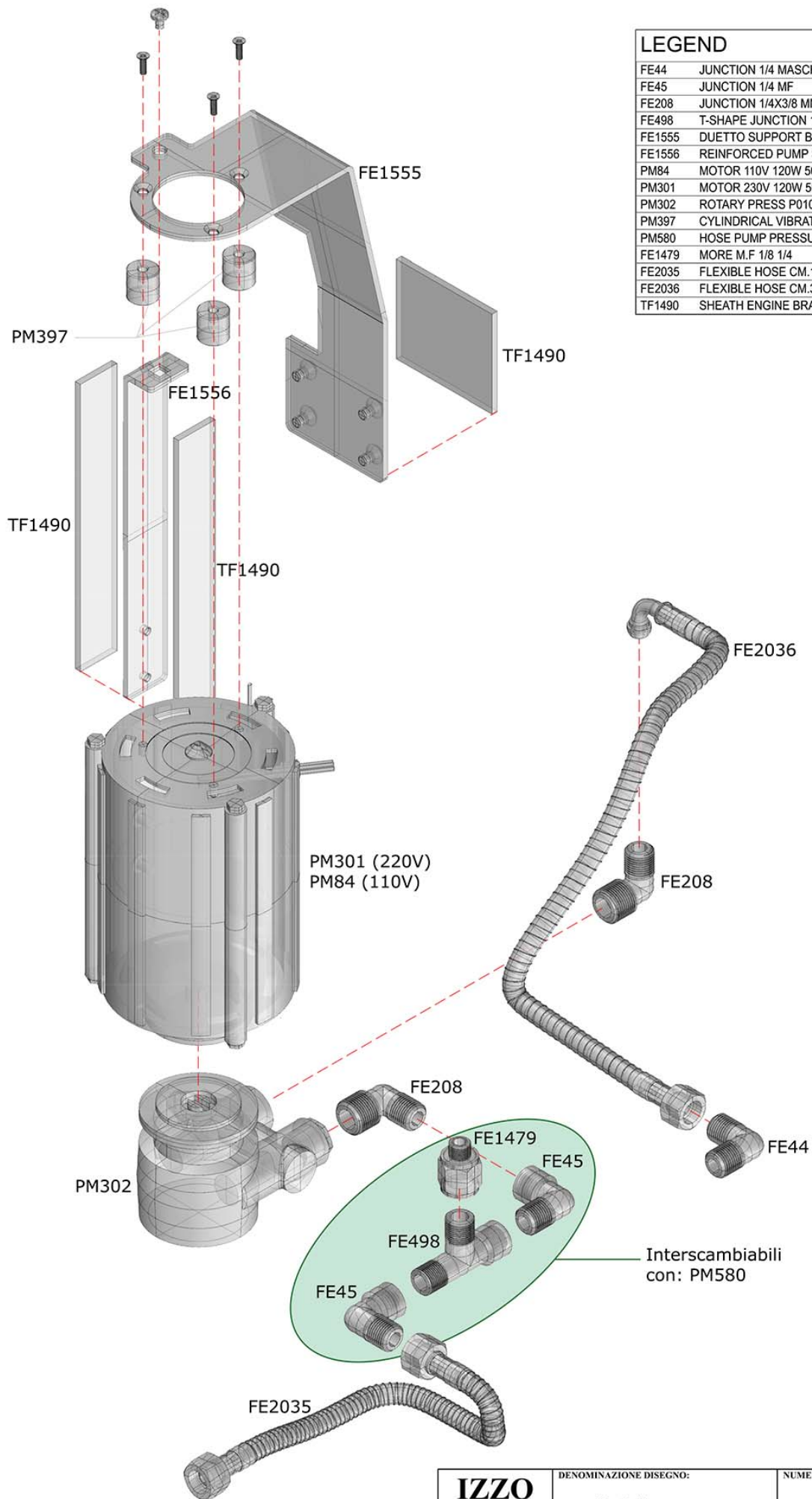
IZZO <i>Espresso Coffee Machines</i> Gruppo Izzo srl Via Morlense, Km 2 03012 Anagni (FR)	DENOMINAZIONE DISEGNO: Duetto IV Exploded View Control Unit + Termopid		NUMERO DISEGNO/ASSIEME: AD Tav.6	REV: 01
	DIS. : Ufficio Tecnico	SCALA DI STAMPA: FORMATO:	DATA: SCALA:	U. di M. : CONTROLLATO:



LEGEND

EL345	REED SENSOR AND FLOAT
EL443	FLOAT X SENSOR EL345
FE36	LOCK NUT 3/8 ES.24 H7
FE40	JUNCTION P3/8X3/8 ES21
FE42	BRASSY NIPPLES 1/4X1/4M L.28MM
FE45	JUNCTION 1/4 MF
FE688	CYLINDRICAL HOSE MALE 9-1/4
FE695	THREE-WAY VALVE
FE734	FLEXIBLE HOSE CM.100-CURVE 3/8F DUETTO
FE1255	TANK DOOR INOX
TF53	SILICONE PIPE 6X10
TF334	DUETTO WATER TANK COVER
TF335	WATER TANK
PM398	DUETTO PIPE FOR CON. TO WAT. SUPPLY CHAIN

IZZO <i>Espresso Coffee Machines</i> Gruppo Izzo srl Via Morlense, Km 2 03012 Anagni (FR)	DENOMINAZIONE DISEGNO: <i>Duetto IV Exploded View Internal Tank</i>		NUMERO DISEGNO/ASSIEME: AD Tav.7	REV: 01
	SCALA DI STAMPA:	DATA:	Proprietà della GRUPPO IZZO senza autorizzazione scritta della stessa il presente disegno non può essere utilizzato, divulgato o riprodotto.	
DIS. : <i>Ufficio Tecnico</i>	FORMATO:	SCALA:	U. di M. :	CONTROLLATO:



LEGEND	
FE44	JUNCTION 1/4 MASCHIO BSP CONICAL SHAPE
FE45	JUNCTION 1/4 MF
FE208	JUNCTION 1/4X3/8 MM
FE498	T-SHAPE JUNCTION 1/4 MMF
FE1555	DUETTO SUPPORT BRACKET PUMP
FE1556	REINFORCED PUMP SUPPORT DUETTO
PM84	MOTOR 110V 120W 50/60HZ
PM301	MOTOR 230V 120W 50HZ
PM302	ROTARY PRESS P0102
PM397	CYLINDRICAL VIBRATION DAMPER FOR PM84
PM580	HOSE PUMP PRESSURE GAUGE DUETTO
FE1479	MORE M.F 1/8 1/4
FE2035	FLEXIBLE HOSE CM.18 BEND 1/4 FF
FE2036	FLEXIBLE HOSE CM.30 BEND 1/4 - 1/4 FF
TF1490	SHEATH ENGINE BRACKET DUETTO IV/EVO

IZZO <i>Espresso Coffee Machines</i> Gruppo Izzo srl Via Morlense, Km 2 03012 Anagni (FR)	DENOMINAZIONE DISEGNO: <i>Duetto IV Exploded View Hydraulic Pump</i>		NUMERO DISEGNO/ASSIEME: AD Tav.8	REV: 01
	SCALA DI STAMPA:	DATA:	Proprietà della GRUPPO IZZO senza autorizzazione scritta della stessa il presente disegno non può essere utilizzato, divulgato o riprodotto.	
DIS.: <i>Ufficio Tecnico</i>	FORMATO:	SCALA:	U. di M.:	CONTROLLATO: