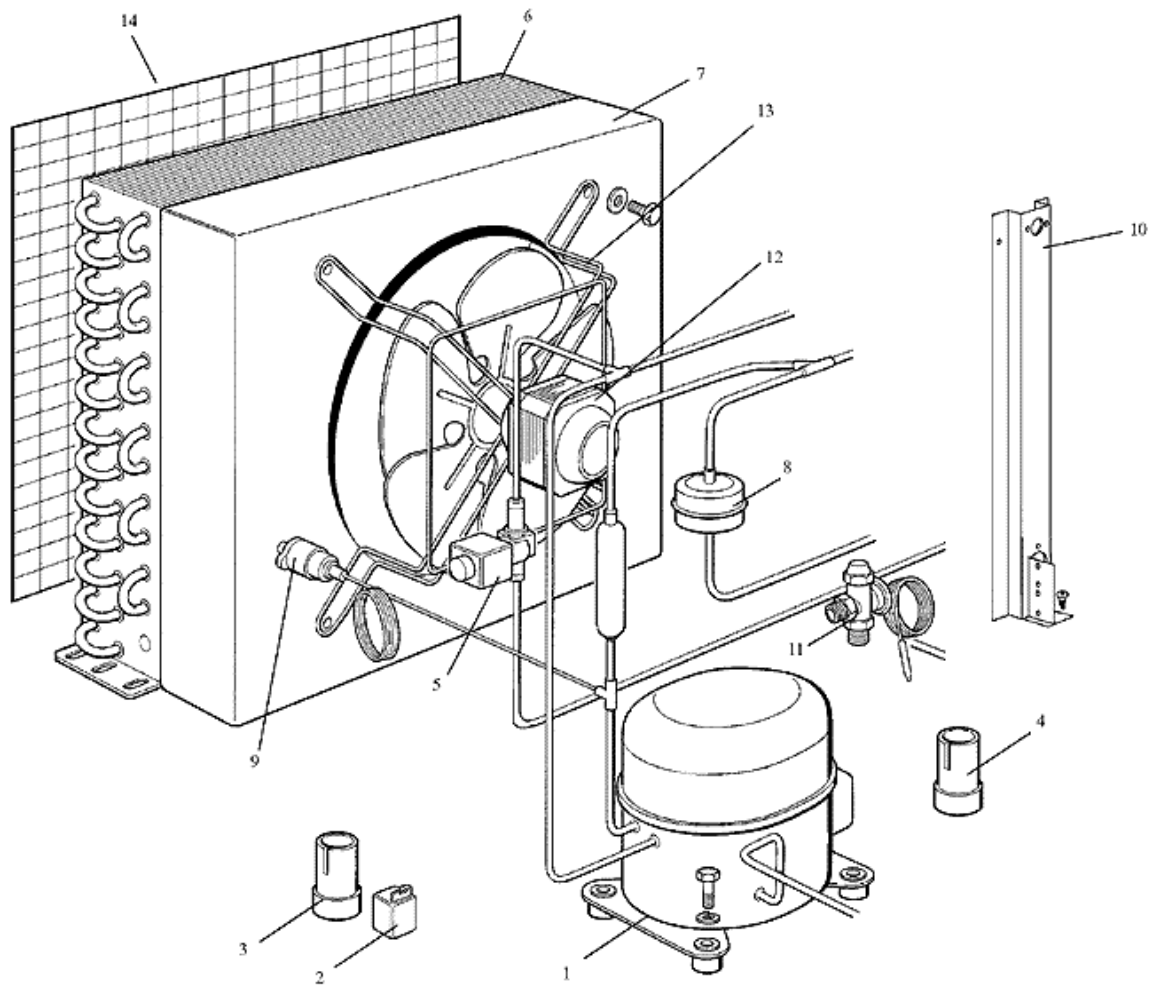


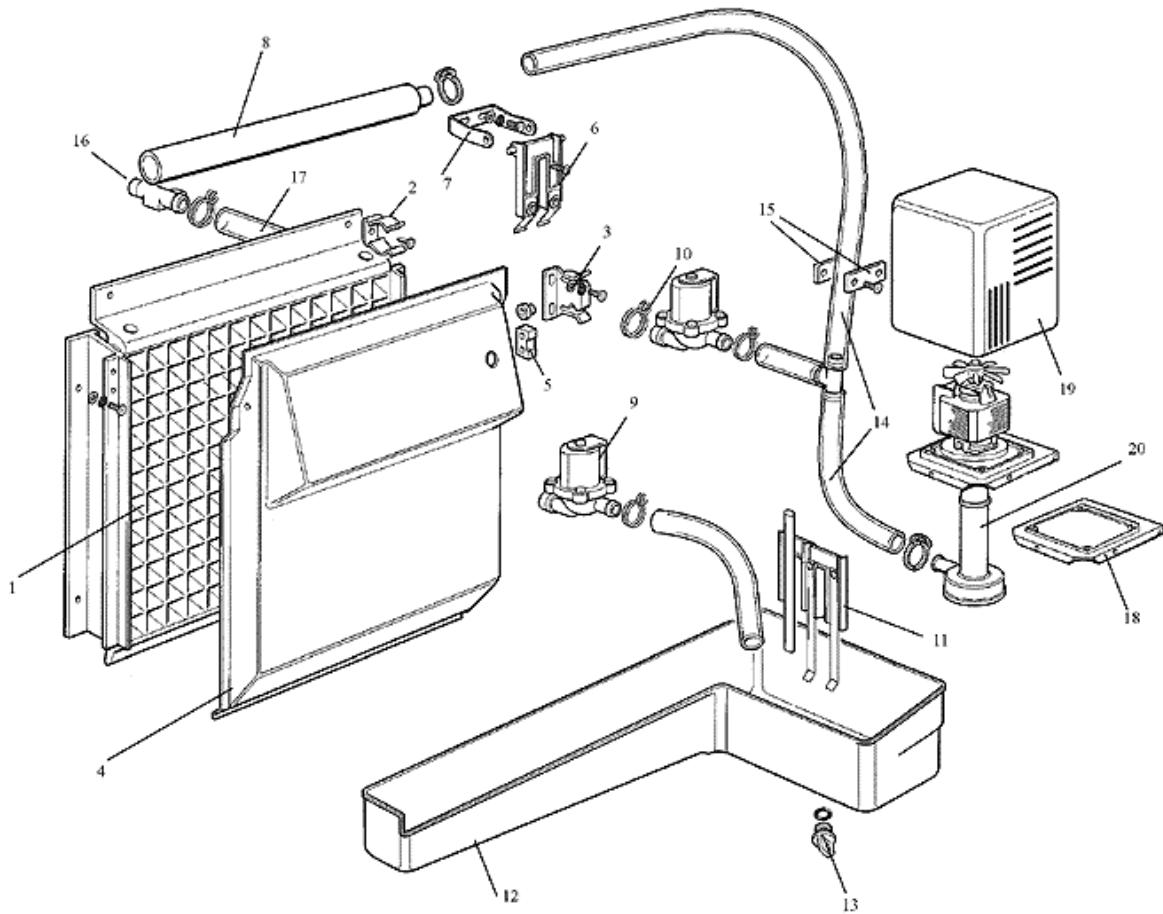
Pos	Code	Description
0001	SCCM 81454011	NO LONGER AVAILABLE
0002	SCCM 19262734	LABEL MV600
0003	SCCM 81453611	FRONT PANEL
0004	SCCM 25330790	PANEL LEFT SIDE
0005	SCCM 25330788	PANEL RIGHT SIDE
0006	SCCM 81453600	TOP PANEL (USE SCCM 81455074)
0007	SCCM 28295030	GRILL PLASTIC
0009	SCCM 25550781	REAR PANEL
0009	SCCM 25550890	REAR PANEL
0010	SCCM 19262733	MONITORING PANEL
0010	SCCM 19262763	NO LONGER AVAILABLE
0011	SCCM 25725525	LED CARD HOLDER



Pos	Code	Description
0001	SC620058 57	PROTECTOR - 230/50/1
0001	SC670099 24	COMPRESSOR - 230/50/1
0001	SCCM 81453835	COMPRESSOR - 230/60/1
0002	SC620057 47	STARTING RELAY 230/50/1
0002	SCCM 19621699	STARTING RELAY 230/50/1
0003	SC620167 00	START.CAP. - 230/50/1
0004	SC620167 16	CAPACITOR - 230/50-60/1
0004	SC620167 54	RUN CAPACITOR - 215/60/1
0005	SCSC 19863034-01R	HOT GAS VALVE ASSY 10MM ODS
0005	SCSP 1124012	USE SCCA 9300/RA6
0006	SCCM 19177072	NO LONGER AVAILABLE
0007	SCCM 25168793	SHORUD
0008	SCCM 19301257	FILTER
0009	SCCM 19550628	HIGH PRESSURE SAFETY SWIT
0010	SCCM 25725530	METAL BRACKET
0011	SCCM 25410055	TXV INSULATION
0011	SCCM 81453620	TXV
0012	SCCM 18562524	MOTOR
0013	SCCM 18740032	BLADE
0013	SCCM 25726513	BRACKET
0014	SCCM 25339006	FILTER

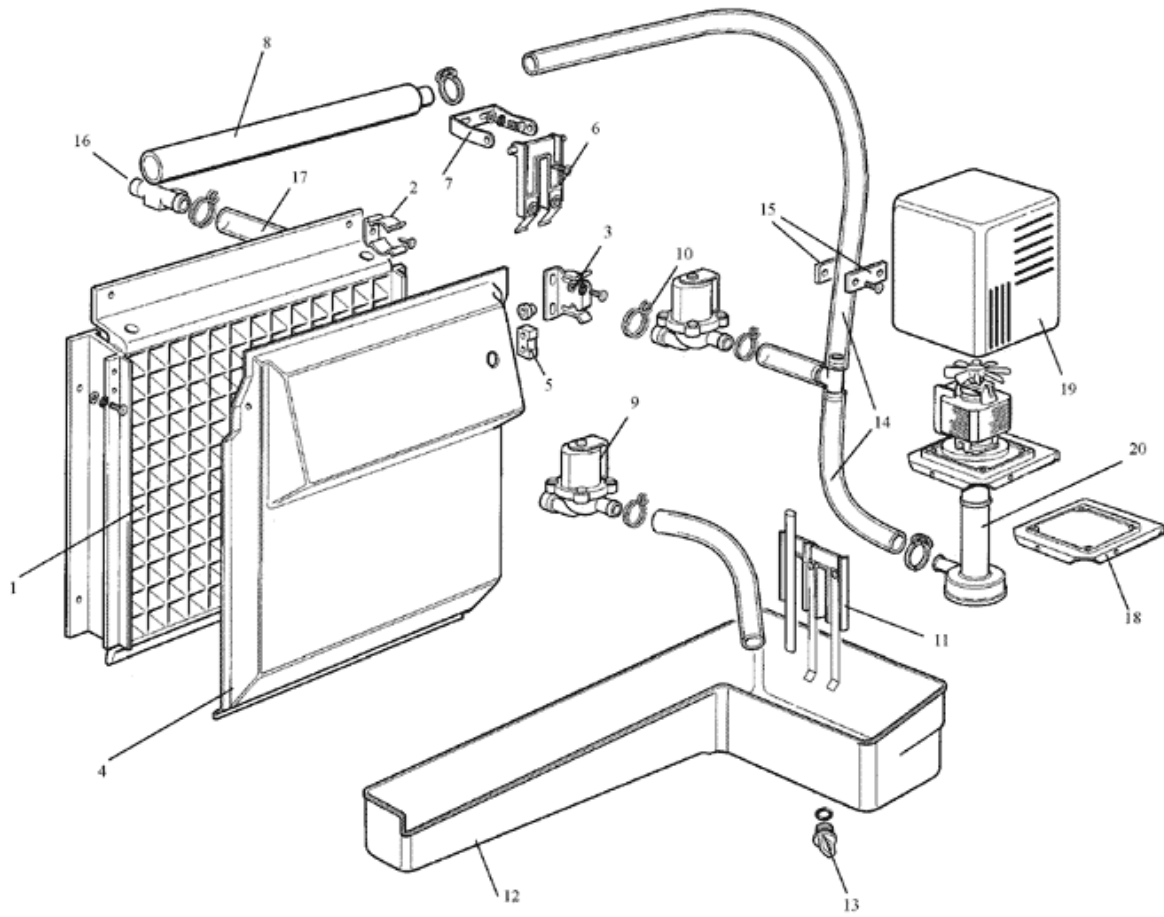


Pos	Code	Description
0001	SC620058 57	PROTECTOR - 230/50/1
0001	SC670099 24	COMPRESSOR - 230/50/1
0001	SCCM 81453835	COMPRESSOR - 230/60/1
0002	SC620057 47	STARTING RELAY 230/50/1
0002	SCCM 19621699	STARTING RELAY 230/50/1
0003	SC620167 00	START.CAP. - 230/50/1
0004	SC620167 16	CAPACITOR - 230/50-60/1
0004	SC620167 54	RUN CAPACITOR - 215/60/1
0005	SCSC 19863034-01R	HOT GAS VALVE ASSY 10MM ODS
0005	SCSP 1124012	USE SCCA 9300/RA6
0006	SCCM 81453643	WATER COOLED CONDENSER
0007	SC620111 00	WATER REGUL. VALVE
0008	SCCM 19301257	FILTER
0009	SCCM 19550628	HIGH PRESSURE SAFETY SWIT
0010	SCCM 25725530	METAL BRACKET
0011	SCCM 25410055	TXV INSULATION
0011	SCCM 81453620	TXV
0012	SCCM 81453633	ACCUMULATOR
0013	SC620419 32	BLADE
0014	SC620419 00	FAN MOTOR ATEX
0015	SCCM 25725537	METAL BRACKET
0016	SCCM 25631047	FITTING
0017	SCCM 25631045	FITTING

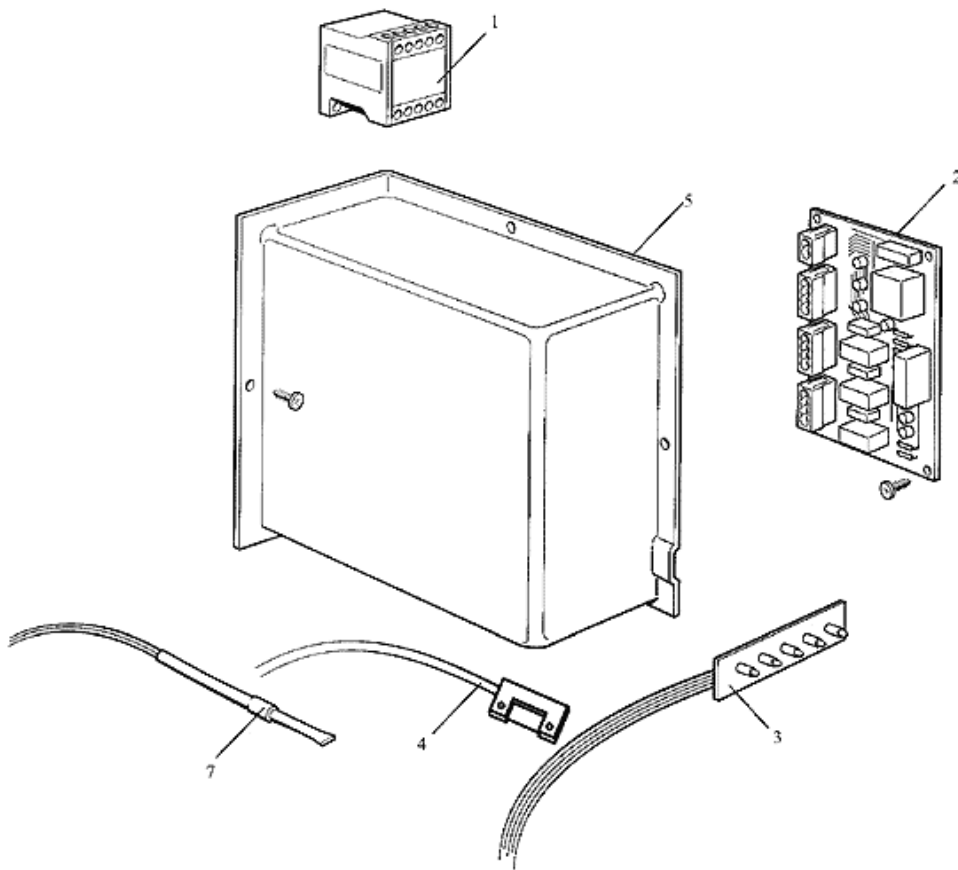


Pos	Code	Description
0001	SCSC 93000045-10	EVAPORATOR DICE
0001	SCSC 93000045-11	EVAPORATOR HALF LARGE
0002	SCCM 25474608	METAL CLIP
0003	SCSC 25726473-00	ICE DEFLECTOR BRACKET
0004	SCCM 81453630	USE SCSC 81453630-10
0005	SCCM 19355007	MGT
0006	SCCM 81453434	SENSOR, ICE THICKNESS
0007	SCCM 25725450	SENSOR SYST. BRKT
0008	SCCM 81453575	USE SCSC 94000052-00
0009	SC650105 54	WATER INLET VALVE
0010	SC11000514 01	VALVE PURGE
0011	SCCM 81453796	WATER LEVEL SENSOR
0012	SCCM 25820125	WATER SUMP
0012	SCSC 19950006-00	THUMB SCREW PLASTIC HEAD
0013	SC640041 31	O RING OR 2031 (WRAS-FDA)
0013	SCCM 25730503	DRAIN PLUG.
0014	SCCM 81453698	USE SCSC 81454805-00
0015	SC793247 00R	WATER RESTRICTION KIT
0016	SCCM 25690807	DRAIN FITTING
0017	SCCM 25791643	TUBE
0018	SCCM 25725531	PUMP BRACKET
0019	SCCM 81453627	WATER PUMP COVER
0020	SC620433 00	USE SC620433 08R
0020	SC620433 01	WATER PUMP - 230/60/1





Pos	Code	Description
0001	SCSC 93000045-10	EVAPORATOR DICE
0001	SCSC 93000045-11	EVAPORATOR HALF LARGE
0002	SCCM 25474608	METAL CLIP
0003	SCSC 25726473-00	ICE DEFLECTOR BRACKET
0004	SCCM 81453630	USE SCSC 81453630-10
0005	SCCM 19355007	MGT
0006	SCCM 81453434	SENSOR, ICE THICKNESS
0007	SCCM 25725450	SENSOR SYST. BRKT
0008	SCCM 81453575	USE SCSC 94000052-00
0009	SC650105 54	WATER INLET VALVE
0010	SCCM 81454760	PURGE VALVE KIT
0011	SCCM 81453796	WATER LEVEL SENSOR
0012	SCCM 25820125	WATER SUMP
0012	SCSC 19950006-00	THUMB SCREW PLASTIC HEAD
0013	SC640041 31	O RING OR 2031 (WRAS-FDA)
0013	SCCM 25730503	DRAIN PLUG.
0014	SCCM 81453698	USE SCSC 81454805-00
0015	SC793247 00R	WATER RESTRICTION KIT
0016	SCCM 25690807	DRAIN FITTING
0017	SCCM 25791643	TUBE
0018	SCCM 25725531	PUMP BRACKET
0019	SCCM 81453627	WATER PUMP COVER
0020	SC620433 00	USE SC620433 08R
0020	SC620433 01	WATER PUMP - 230/60/1



Pos	Code	Description
0001	SCCM 33730712	CONTACTOR 230/50-60
0002	SCCM 33580250	PC BOARD - 230/50-60/1
0002	SCCM 81453574	2 POLES CONNECTOR
0002	SCCM 81453826	4 POLES CONNECTOR
0002	SCCM 81453827	5 POLES CONNECTOR
0002	SCCM 81453828	3 POLES CONNECTOR
0003	SCCM 33580151	MONITORING LED ASSY
0004	SCCM 33210019	MGT SWITCH
0005	SCCM 25161164	COVER
0007	SCCM 33580101	CONDENSER SENSOR