

Traditional coffee machines



E99

INDEX

| | |
|-------------------------------|----|
| Generic table | 3 |
| Manometer | 14 |
| Volumetric pump | 16 |
| Filterholder | 18 |
| Delivery group T.V. | 20 |
| STYLEMA - Generic table | 22 |
| PIPING | 31 |
| PIPING | 34 |
| COACHWORK | 37 |
| COACHWORK | 39 |
| COACHWORK | 41 |
| PUSH BUTTON STRIP | 43 |
| PUSH BUTTON STRIP | 45 |
| CUPS-WARMER | 47 |
| BOILER | 49 |
| COCKS | 52 |
| COCKS | 55 |

| | |
|-----------------------------|----|
| AUTOSTEAM | 58 |
| VALVE WITH SELF LEVEL | 61 |
| MILKFROTHER | 64 |
| SWITCH BOX | 66 |
| MILKFROTHER | 68 |
| PRIMARY SPARE PARTS | 70 |

| Pos | Part Number | Description | Validity | Notes |
|-----|--------------|--|----------|-------|
| - | 0000122281 | REGENERATED PUMP 250 LT. | | |
| - | 610004254 | DUST/POWDER ECOCLEANER 250g | | |
| | ⇌ 0000122299 | TERSO FA | | |
| - | 0000122309 | 250 L RIGENRATED PUMP | | |
| - | 402199010 | GROUP GASKET | | |
| | ⇌ 0000122738 | GROUP GASKET MM 9 | | |
| - | 0390070115 | CAPPUCCINATORE E97 WITH TAP | | |
| - | 0390070133 | CAPP.MAGIC FOR E98 PRESIDENT | | |
| - | 660020010 | FAEMA COFFEE CUP (6PC PACK) | | |
| | ⇌ 0720082394 | CUP COFFEE FAEMA 6 PCS. | | |
| - | 0720082395 | CAPPUCCINO CUPS FAEMA 6 PCS. | | |
| - | 1000091887 | UNIFIED VALVES GROUP | | |
| - | 1000091896 | COMPLETE LEVEL PROBE 124MM | | |
| - | 457700010 | DISPENSER GROUP FORMATION 220V 60Hz UL | | |
| | ⇌ 1432133910 | DELIVERY GROUP UL | | |
| - | 1441132497 | PUMP 250LT/H 230/50 | | |
| - | 457701010 | DISPENSER GROUP FORMATION 230V 50Hz TU | | |
| | ⇌ 1441133910 | DELIVERY GROUP | | |
| - | 457702010 | DISPENSER GROUP FORMATION 200V JAPAN | | |
| | ⇌ 1445133910 | DELIVERY GROUP | | |
| - | 2432134294 | 2 WAYS SOLENOID 220-240/50-60 | | |
| - | 2761118697 | SOLENOID VALVE CONNECTOR | | |
| - | 2845134399 | BOILER 2 GR JAPAN | | |
| - | 3301134993 | VOLUMETRIC PUMP WIRING LOOM | | |
| - | 3771119976 | SHOWER DOUBLE | | |
| - | 3781133400 | BOILER GAUGE | | |
| - | 3849134251 | BOILER GR.1 | | |
| - | 911990020 | BOILER 2GR | | |
| | ⇌ 3849134252 | BOILER GR.2 | | |
| - | 911991010 | BOILER 3 GR | | |
| | ⇌ 3849134253 | BOILER GR.3 | | |
| - | 911591010 | 4GR BOILER ASS. | | |
| | ⇌ 3849134254 | BOILER GR.4 | | |
| - | 3951134740 | PIPE EXPANSION VALVE | | |
| - | 3957115683 | GAS TAP-MAINS CONN. PIPE | | |
| - | 4002115559 | SPECIAL SCREW | | |
| - | 402274000 | GASKET | | |
| | ⇌ 400238010 | GASKET | | |
| - | 400335010 | GASKET 21X24,5X1,5 | | |
| - | 4004041045 | SCREW | | |
| - | 401183010 | GASKET 22X17X1,5 INLET VALVE | | |
| - | 401354000 | O-RING 20,22X3,53 | | |
| - | 401371000 | GASKET 6,75 X 1,78 | | |
| - | 402197000 | O-RING 8,9 X 2,7 | | |

| Pos | Part Number | Description | Validity | Notes |
|-----|--------------|------------------------------------|----------|-------|
| - | 402199010 | GROUP GASKET | | |
| - | 402241000 | O-RING 34,65 X 1,78 | | |
| - | 402249000 | O-RING 5,28X1,78 | | |
| - | 402250000 | GASKET 3,68 X 1,78 INTERMEDIATE TS | | |
| - | 402274000 | GASKET | | |
| - | 402285000 | LIP SEAL | | |
| - | 402291000 | OR 5.7 x 1.9 NBR 70 NSF | | |
| - | 402298000 | OR 37.5x3 NBR 70 BLACK (NSF) | | |
| - | 402316000 | OR 4.9x1.90 VITON | | |
| - | 4121119082 | GAUGE FITTING | | |
| - | 4123116574 | UNION | | |
| - | 593059020 | PLUG NUT 1/4" | | |
| | ⇌ 4141132639 | PLUG NUT 1/4" | | |
| - | 4151132074 | VACUUM VALVE FITTING | | |
| - | 993761000F | EXPANSION VALVE ASSEMBLY NSF | | |
| | ⇌ 415929010 | EXPANSION VALVE NF | | |
| - | 993761000F | EXPANSION VALVE ASSEMBLY NSF | | |
| | ⇌ 415929020 | EXPANSION VALVE NF | | |
| - | 993761020F | EXPANSION VALVE NSF | | |
| | ⇌ 415932000 | EXPANSION VALVE | | |
| - | 993761020F | EXPANSION VALVE NSF | | |
| | ⇌ 415932010 | EXPANSION VALVE | | |
| - | 418941010 | ANTI-UNDERTOW VALVE ASS. | | |
| | ⇌ 418941000 | ANTI-UNDERTOW VALVE ASS. | | |
| - | 418941010 | ANTI-UNDERTOW VALVE ASS. | | |
| - | 419504020 | FORM. VALVOLA DI RITEGNO | | |
| | ⇌ 419504000 | NO-RETURN VALVE | | |
| - | 419505000 | FEEDING VALVE | | |
| - | 419506020 | CHECK VALVE | | |
| | ⇌ 419506000 | CHECK VALVE | | |
| - | 421895000 | UNION VALVE KIT | | |
| - | 433072007 | RING NUT | | |
| - | 438926010 | SAFETY VALVE 1,8 | | |
| - | 438926020 | SAFETY VALVE 2,0 | | |
| - | 438926030 | SAFETY VALVE 2,0 | | |
| - | 439057007 | FLANGE | | |
| - | 441043020 | TAMPER DOUBLE | | |
| - | 441045030 | DOSER COFFEE WITH SCREWDRIVER | | |
| - | 442262000 | TAPS SUPPORT | | |
| - | 442263000 | SHOCK ABSORBER | | |
| - | 442269004 | TAPS SUPPORT | | |
| - | 457277000 | ONE CUP FILTER | | |
| - | 457303037 | ONE WAY SPOUT | | |
| - | 457431005F | DISPENSER GROUP WITH DISC | | |
| | ⇌ 457339008 | DISPENSER GROUP BODY | | |

| Pos | Part Number | Description | Validity | Notes |
|-----|-------------|--|----------|-------|
| - | 457431005F | DISPENSER GROUP WITH DISC | | |
| | ⇌ 457339028 | DISPENSER GROUP BODY | | |
| - | 457431005F | DISPENSER GROUP WITH DISC | | |
| | ⇌ 457339038 | BODY ADJUSTER WITH ADJUSTMENT GROUP | | |
| - | 457427008F | FAEMA DISP. GROUP W/ DISPENSER DISC | | |
| | ⇌ 457340008 | GROUP | | |
| - | 457427008F | FAEMA DISP. GROUP W/ DISPENSER DISC | | |
| | ⇌ 457340028 | GROUP | | |
| - | 457341008 | DISC FOR GROUP | | |
| - | 457342000 | WATER DISTRIBUTER GROUP IN BRASS | | |
| - | 457343000 | PLUG | | |
| - | 457344000 | PLUG | | |
| - | 457355027 | FILTER-HOLDER BODY | | |
| | ⇌ 457355007 | FILTER-HOLDER BODY | | |
| - | 457355027 | FILTER-HOLDER BODY | | |
| | ⇌ 457355017 | FILTERHOLDER BODY | | |
| - | 457357007 | SPOUT COVER | | |
| - | 457358017 | 1 WAY SPOUT | | |
| | ⇌ 457358007 | SPOUT 1 CUP FOREIGN | | |
| - | 457358017 | 1 WAY SPOUT | | |
| - | 457360017 | SPOUT 1 CUP ITALY SHORT | | |
| | ⇌ 457360007 | SPOUT 1 CUP ITALY SHORT | | |
| - | 457360017 | SPOUT 1 CUP ITALY SHORT | | |
| - | 457365017 | 2 WAY NSF SPOUT BODY | | |
| | ⇌ 457365007 | SPOUT DOUBLE SHORT NF | | |
| - | 457365017 | 2 WAY NSF SPOUT BODY | | |
| - | 457366017 | 1 WAY NSF SPOUT BODY | | |
| | ⇌ 457366007 | SPOUT ONE WAY NF | | |
| - | 457366017 | 1 WAY NSF SPOUT BODY | | |
| - | 457367000 | 1-CUP FILTER LOW | | |
| - | 457368000 | COFFEE FILTER 1 CUP | | |
| - | 457369000 | 2-CUP FILTER | | |
| - | 457560000 | SHOWER GROUP | | |
| - | 457700010 | DISPENSER GROUP FORMATION 220V 60Hz UL | | |
| | ⇌ 457700000 | DELIVERY GROUP UL | | |
| - | 457701010 | DISPENSER GROUP FORMATION 230V 50Hz TU | | |
| | ⇌ 457701000 | DELIVERY GROUP | | |
| - | 457702010 | DISPENSER GROUP FORMATION 200V JAPAN | | |
| | ⇌ 457702000 | DELIVERY GROUP | | |
| - | 457874000 | SPRING FOR LOCKING THE COFFEE FILTER | | |
| - | 457886070 | 2-WAY (E) FILTER-HOLDER ASSY | | |
| | ⇌ 457886000 | FILTERHOLDER 2 CUPS FOREIGN DIPL. | | |
| - | 457886070 | 2-WAY (E) FILTER-HOLDER ASSY | | |
| | ⇌ 457886010 | FILTERHOLDER 2 CUPS FOREIGN DIPL. | | |

| Pos | Part Number | Description | Validity | Notes |
|-----|-------------|---------------------------------------|----------|-------|
| - | 457886070 | 2-WAY (E) FILTER-HOLDER ASSY | | |
| | ⇄ 457886020 | 2 WAY FILTERHOLDER (FOREIGN) | | |
| - | 457887070 | 1-WAY (E) FILTER-HOLDER ASSY | | |
| | ⇄ 457887000 | FILTERHOLDER 1 CUP DIPL. FOREIGN | | |
| - | 457887070 | 1-WAY (E) FILTER-HOLDER ASSY | | |
| | ⇄ 457887010 | FILTERHOLDER 1 CUP DIPL. FOREIGN | | |
| - | 457887070 | 1-WAY (E) FILTER-HOLDER ASSY | | |
| | ⇄ 457887020 | 1 WAY FILTERHOLDER (FOREIGN) | | |
| - | 457888070 | 2-WAY (I) FILTER-HOLDER ASSY | | |
| | ⇄ 457888000 | FILTERHOLDER 2 CUPS ITALY DIPL. | | |
| - | 457888070 | 2-WAY (I) FILTER-HOLDER ASSY | | |
| | ⇄ 457888010 | FILTERHOLDER 2 CUPS ITALY DIPL. | | |
| - | 457888070 | 2-WAY (I) FILTER-HOLDER ASSY | | |
| | ⇄ 457888020 | FILTERHOLDER 2 CUPS ITALY DIPL. | | |
| - | 457889070 | 1-WAY (I) FILTER-HOLDER ASSY | | |
| | ⇄ 457889000 | FILTERHOLDER DIPL. ITALY | | |
| - | 457889070 | 1-WAY (I) FILTER-HOLDER ASSY | | |
| | ⇄ 457889010 | FILTERHOLDER DIPL. ITALY | | |
| - | 457889070 | 1-WAY (I) FILTER-HOLDER ASSY | | |
| | ⇄ 457889020 | FILTERHOLDER DIPL. ITALY | | |
| - | 457894020 | COMPLETE 2 WAY SPOUT | | |
| | ⇄ 457894000 | DOUBLE SPOUT (I) | | |
| - | 457894020 | COMPLETE 2 WAY SPOUT | | |
| | ⇄ 457894010 | DOUBLE SPOUT (I) | | |
| - | 457894020 | COMPLETE 2 WAY SPOUT | | |
| | ⇄ 457894010 | DOUBLE SPOUT (I) | | |
| - | 457894020 | COMPLETE 2 WAY SPOUT | | |
| - | 457895020 | SPOUT DOUBLE SHORT | | |
| | ⇄ 457895000 | SPOUT DOUBLE SHORT | | |
| - | 457895020 | SPOUT DOUBLE SHORT | | |
| | ⇄ 457895010 | SPOUT DOUBLE SHORT | | |
| - | 457895020 | SPOUT DOUBLE SHORT | | |
| | ⇄ 457895010 | SPOUT DOUBLE SHORT | | |
| - | 457895020 | SPOUT DOUBLE SHORT | | |
| - | 533180010 | 180 L/h VOLUMETRIC PUMP INOX W/FILTER | | |
| | ⇄ 462707000 | VOLUMETRIC PUMP 180LT/H | | |
| - | 533180010 | 180 L/h VOLUMETRIC PUMP INOX W/FILTER | | |
| | ⇄ 462707010 | VOLUMETRIC PUMP 180LT/H | | |
| - | 533180010 | 180 L/h VOLUMETRIC PUMP INOX W/FILTER | | |
| | ⇄ 462713000 | VOLUMETRIC PUMP 120LT/H NF | | |
| - | 533180010 | 180 L/h VOLUMETRIC PUMP INOX W/FILTER | | |
| | ⇄ 462714000 | VOLUMETRIC PUMP 180LT/H NF | | |
| - | 533180010 | 180 L/h VOLUMETRIC PUMP INOX W/FILTER | | |
| | ⇄ 462991010 | VOLUMETRIC PUMP 120LT/H | | |
| - | 533180010 | 180 L/h VOLUMETRIC PUMP INOX W/FILTER | | |

| Pos | Part Number | Description | Validity | Notes |
|-----|-------------|--|----------|-------|
| | ≡ 462992000 | VOLUMETRIC PUMP 250LT/H | | |
| - | 4701020993 | GASKET | | |
| - | 4701024558 | GASKET COPPER | | |
| - | 4701029653 | GASKET | | |
| - | 4742119799 | FROTHER HANDLE | | |
| - | 4772118521 | 3-WAY FILTER HOLDER BODY | | |
| - | 4811134943 | GROUP THERMAL ADJUSTMENT SCREW | | |
| - | 4821134630 | VALVE BODY | | |
| - | 4831119834 | NOZZLE BEARING DIAM. 1,8 | | |
| - | 4831119835 | NOZZLE BEARING DIAM. 2MM | | |
| - | 4831131660 | FROTHER COVER | | |
| - | 490055000 | FILTER | | |
| - | 492315008 | SAFETY VALVE UNION 3/8F 1/4F RUV | | |
| - | 4926133892 | PROTECTION PUMP | | |
| - | 4991132702 | FASTON | | |
| - | 499459012 | RIGENERATED VOLUMETRIC PUMP 120L/H | | |
| - | 501804100 | M4X10 T.C.T.CR. SCREW | | |
| - | 502704066 | 4X6 TCTC S.S. SCREW | | |
| - | 502704126 | CROSS-SLOTTED SCREW | | |
| - | 503308250 | S.S. M8X25 BOLD | | |
| - | 504406100 | HEXAGONAL-HEAD SCREW | | |
| - | 511804120 | S.S. M4X12 VTCE SCREW | | |
| - | 512608080 | S.S. M8X8 SCREW | | |
| - | 531190310 | PRESSOSTAT | | |
| - | 531193100 | SAFETY THERMOSTAT | | |
| - | 531190310 | PRESSOSTAT | | |
| | ≡ 531194200 | PRESSURE-STAT UL | | |
| - | 531494300 | METAL. COND. 10 uF DUCATI 416.33.27 | | |
| | ≡ 531492400 | CAPACITOR 10MF | | |
| - | 532392600 | SAFETY VALVE 1,9 bar 3/8G | | |
| - | 532741400 | KNOB M4 | | |
| - | 981153000 | 3/8GAS NIPPLE W/FILTER | | |
| | ≡ 533100400 | INSIDE FILTER | | |
| - | 533100500 | OR 18X22 | | |
| - | 981153000 | 3/8GAS NIPPLE W/FILTER | | |
| | ≡ 533100600 | JOINT 3/8X3/8 | | |
| - | 533180010 | 180 L/h VOLUMETRIC PUMP INOX W/FILTER | | |
| | ≡ 533180000 | VOLUMETRIC PUPMP INOX 180 L/H | | |
| - | 533180010 | 180 L/h VOLUMETRIC PUMP INOX W/FILTER | | |
| - | 533180010 | 180 L/h VOLUMETRIC PUMP INOX W/FILTER | | |
| | ≡ 533408000 | VOLUMETRIC PUMP 180LT/H inox | | |
| - | 533894610R | 3-WAY SOLENOID VALVE BASE 220/240V 50Hz | | |
| | ≡ 533795610 | SOLENOID VALVE | | |

| Pos | Part Number | Description | Validity | Notes |
|-----|--------------|---|----------|-------|
| - | 533894610R | 3-WAY SOLENOID VALVE BASE 220/240V 50Hz | | |
| | ⇌ 533795610R | SOLENOID VALVE | | |
| - | 533795910R | SOLENOID VALVE | | |
| | ⇌ 533795910 | SOLENOID VALVE | | |
| - | 533795910R | SOLENOID VALVE | | |
| - | 533892500R | SOLENOID VALVE | | |
| | ⇌ 533892500 | SOLENOID VALVE | | |
| - | 533892500R | SOLENOID VALVE | | |
| - | 533894610R | 3-WAY SOLENOID VALVE BASE 220/240V 50Hz | | |
| | ⇌ 533894600R | SOLENOID VALVE | | |
| - | 533898320R | 2-WAY SOLENOID VALVE 220/240/50-60 | | |
| | ⇌ 533898300R | SOLENOID VALVE 2 WAY 220/240 V 50HZ | | |
| - | 533898500R | 2 WAYS SOLENOID 220-240/50-60 | | |
| - | 533900000 | 2 WAYS SOLENOID VALVE 200V | | |
| - | 533902800F | BASE 3-WAY SOLENOID VALVE BODY (REPL. 53 | | |
| - | 534393300 | SPARE GICAR 3V. VOL.COUNT. ASSEMBLY W/ A | | |
| | ⇌ 534392500 | FLOWMETER COMPL. | | |
| - | 534393100 | FLOWMETER WITH ADAPTOR | | |
| - | 534393300 | SPARE GICAR 3V. VOL.COUNT. ASSEMBLY W/ A | | |
| - | 537031110 | OPTICAL LEVEL BODY KIT | | |
| | ⇌ 537031100 | OPTICAL LEVEL BODY KIT | | |
| - | 537031110 | OPTICAL LEVEL BODY KIT | | |
| - | 537032900 | MILK FROTHER | | |
| - | 537036800 | BY-PASS WITH VALVE | | |
| - | 537036820 | BY-P CONFIGURATION | | |
| | ⇌ 537036810 | BY-PASS WITH VALVE | | |
| - | 537055300 | ANTI-WHIRLPOOL VALVE KIT | | |
| | ⇌ 537040300 | VACUUM VALVE | | |
| - | 537047600 | SAFETY VALVE KIT FA | | |
| - | 533180010 | 180 L/h VOLUMETRIC PUMP INOX W/FILTER | | |
| | ⇌ 537048400 | VOLUMETRIC PUMP 120 LT/H | | |
| - | 533180010 | 180 L/h VOLUMETRIC PUMP INOX W/FILTER | | |
| | ⇌ 537048500 | VOLUMETRIC PUMP 180LT/H | | |
| - | 537055300 | ANTI-WHIRLPOOL VALVE KIT | | |
| - | 539001600 | BALL | | |
| - | 565801041 | WASHER 6,7 | | |
| - | 593059020 | PLUG NUT 1/4" | | |
| | ⇌ 593059010 | PLUG NUT 1/4" | | |
| - | 593059020 | PLUG NUT 1/4" | | |
| - | 593822000 | SCREW M 4 X 8 | | |
| - | 594537010 | BLIND NIPPLE 1/4 GAS ST. STEEL | | |
| | ⇌ 594537000 | NIPPLES BLIND | | |

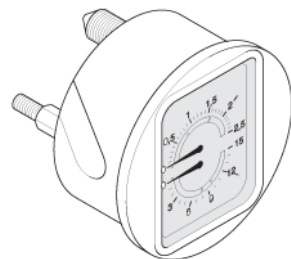
| Pos | Part Number | Description | Validity | Notes |
|-----|-------------|---|----------|-------|
| - | 594537010 | BLIND NIPPLE 1/4 GAS ST. STEEL | | |
| - | 610004159 | ECOJETSAN LT1 | | |
| | ⇌ 610004129 | FROTHER CLEANER (ECOJETSAN) 1L | | |
| - | 610004159 | ECOJETSAN LT1 | | |
| | ⇌ 610004149 | "CF" LT1 ECOJETSAN DET. PACK. | | |
| - | 610004254 | DUST/POWDER ECOCLEANER 250g | | |
| | ⇌ 610004224 | ECOCLEANER | | |
| - | 610004254 | DUST/POWDER ECOCLEANER 250g | | |
| | ⇌ 610004234 | 'CF' 15 SACHET BOX ECOCLEANER | | |
| - | 610004254 | DUST/POWDER ECOCLEANER 250g | | |
| | ⇌ 610004244 | 'CF' ECOCLEANER 15-SACHET BOX | | |
| - | 660020010 | FAEMA COFFEE CUP (6PC PACK) | | |
| - | 660020020 | FAEMA CAPPUCCINO CUP (6PC PACK) | | |
| - | 800021902 | SHOWER WASCHER BLIND FILTER | | |
| - | 903744000 | ASS.MOTORE POMPA 220V UL | | |
| | ⇌ 903061000 | MOTOR PUMP | | |
| - | 903744000 | ASS.MOTORE POMPA 220V UL | | |
| - | 911591010 | 4GR BOILER ASS. | | |
| | ⇌ 911522008 | BOILER GR4 | | |
| - | 911544020 | 220-240V 3750-4500W RESISTANCE | | |
| | ⇌ 911544000 | HEATING ELEMENT 3E 220-240V 3750 4500W | | |
| - | 911544020 | 220-240V 3750-4500W RESISTANCE | | |
| | ⇌ 911544010 | HEATING ELEMENT 3E 220-240V 3750 4500W | | |
| - | 911544020 | 220-240V 3750-4500W RESISTANCE | | |
| - | 911545020 | HEATING ELEMENT 220÷240V 4500÷5360W | | |
| | ⇌ 911545000 | RESIST.3E.220-240V 4500-5360W | | |
| - | 911545020 | HEATING ELEMENT 220÷240V 4500÷5360W | | |
| | ⇌ 911545010 | HEATING ELEMENT 3E 220-240V 4500-5360W | | |
| - | 911545020 | HEATING ELEMENT 220÷240V 4500÷5360W | | |
| - | 911546020 | 220-240V 5700-6800W RESISTANCE | | |
| | ⇌ 911546000 | HEATING ELEMENT 3EL.220.240V 5700-6800W | | |
| - | 911546020 | 220-240V 5700-6800W RESISTANCE | | |
| | ⇌ 911546010 | HEATING ELEMENT 3EL.220.240V 5700-6800W | | |
| - | 911546020 | 220-240V 5700-6800W RESISTANCE | | |
| - | 911547000 | HEATING ELEMENT L296 200V 4500W | | |
| - | 911548000 | HEATING ELEMENT L406 200V | | |
| - | 911549000 | HEATING ELEMENT L626 200V | | |
| - | 911550000 | HEATING ELEMENT 3EL. 240V 5360W | | |
| - | 911591010 | 4GR BOILER ASS. | | |
| | ⇌ 911591000 | BOILER GR4 | | |
| - | 911591010 | 4GR BOILER ASS. | | |
| - | 911596010 | INJECTOR | | |
| | ⇌ 911596000 | INJECTOR | | |

| Pos | Part Number | Description | Validity | Notes |
|-----|-------------|--|----------|-------|
| - | 911990020 | BOILER 2GR | | |
| | ⇌ 911619000 | 2 GR BOILER ASSY Th. 1.2 mm | | |
| - | 911991010 | BOILER 3 GR | | |
| | ⇌ 911621000 | 3 GR BOILER ASSY Th. 1.2 mm | | |
| - | 911990020 | BOILER 2GR | | |
| | ⇌ 911990000 | 2GR BOILER ASS. | | |
| - | 911991010 | BOILER 3 GR | | |
| | ⇌ 911991000 | 3GR BOILER ASS. | | |
| - | 915117000 | GASKET 60,3X3,53 VITON | | |
| - | 457429008F | FAEMA DISP. GROUP W/ DISPENSER DISC NSF | | |
| | ⇌ 915196006 | GROUP NF | | |
| - | 922785000 | GROUP NOZZLE 0,7 MM NF | | |
| - | 924896000 | MOTOR COMPL.UL | | |
| - | 957711010 | ONE WAY FILTER NSF | | |
| | ⇌ 924928000 | ONE SPOUT FILTER NF | | |
| - | 925783010 | PUMP FILTER | | |
| | ⇌ 925783000 | PUMP FILTER | | |
| - | 925783010 | PUMP FILTER | | |
| - | 925783010 | PUMP FILTER | | |
| | ⇌ 925784000 | PUMP FILTER NSF | | |
| - | 951008000 | ANTI-WHIRLPOOL VALVE CONNECTOR | | |
| - | 957770000F | 2-WAY (E) NSF FILTER HOLDER | | |
| | ⇌ 957708010 | TWO WAY FILTER (E) NSF | | |
| - | 957711010 | ONE WAY FILTER NSF | | |
| | ⇌ 957711000 | ONE SPOUT FILTER NF | | |
| - | 957711010 | ONE WAY FILTER NSF | | |
| - | 957770000F | 2-WAY (E) NSF FILTER HOLDER | | |
| - | 990004000 | 3/8X3/8 UNION | | |
| - | 990005000 | NOT FURNISHABLE CODE | | |
| - | 990023008 | VALVE BODY | | |
| - | 903224005F | FLANGE | | |
| | ⇌ 990024008 | FLANGE | | |
| - | 990025008 | BOILER FEEDING FLANGE | | |
| - | 990084000 | CAPSULE HOLDER | | |
| - | 990085000 | LOWER DRILL | | |
| - | 990086008 | DISC FOR CAPSULE GROUP | | |
| - | 990091000 | UPPER BORER FOR PODS | | |
| | ⇌ 990088000 | TOP DRILL | | |
| - | 990091000 | UPPER BORER FOR PODS | | |
| - | 990157008 | THERMAL ADJ. SCREW W/RUVECO | | |
| - | 990505000 | CAPACITOR SUPPORT | | |
| - | 990716010 | COMPLETE OPTICAL LEVEL | | |
| - | 990723000 | LEVEL PROBE 85MM | | |
| - | 990993000 | SHUTTER W/CONSTRICTION AND RUVECO FILTER | | |

| Pos | Part Number | Description | Validity | Notes |
|-----|--------------|--|----------|-------|
| - | 990995000 | 180 L RIGENRATED PUMP | | |
| - | 993761000F | EXPANSION VALVE ASSEMBLY NSF | | |
| - | 457429008F | FAEMA DISP. GROUP W/ DISPENSER DISC NSF | | |
| | ⇔ 957187008F | DISPENSING UNIT BODY WITHOUT ADJUSTMENT. | | |
| - | 610004159 | ECOJETSAN LT1 | | |
| - | 404997000 | GAS ADJUSTMENT W/CONNECTOR ASSY | | |
| - | 457427008F | FAEMA DISP. GROUP W/ DISPENSER DISC | | |
| - | 457429008F | FAEMA DISP. GROUP W/ DISPENSER DISC NSF | | |
| - | 457700010 | DISPENSER GROUP FORMATION 220V 60Hz UL | | |
| - | 457701010 | DISPENSER GROUP FORMATION 230V 50Hz TU | | |
| - | 457702010 | DISPENSER GROUP FORMATION 200V JAPAN | | |
| - | 457355027 | FILTER-HOLDER BODY | | |
| - | 457431005F | DISPENSER GROUP WITH DISC | | |
| | ⇔ 457430008F | FAEMA DISPENSER GROUP W/ADJ W/RUV DISP D | | |
| - | 457886070 | 2-WAY (E) FILTER-HOLDER ASSY | | |
| | ⇔ 457886060 | ASS. PORTAFILTRO 2 VIE (E) | | |
| - | 457887070 | 1-WAY (E) FILTER-HOLDER ASSY | | |
| | ⇔ 457887060 | ASS. PORTAFILTRO 1 VIA (E) | | |
| - | 457888070 | 2-WAY (I) FILTER-HOLDER ASSY | | |
| - | 457889070 | 1-WAY (I) FILTER-HOLDER ASSY | | |
| - | 957770010F | 2-WAY (E) FILTER-HOLDER ASSY | | |
| - | 457886070 | 2-WAY (E) FILTER-HOLDER ASSY | | |
| - | 457887070 | 1-WAY (E) FILTER-HOLDER ASSY | | |
| - | 537033110 | NEW MILK FROTHER | | |
| - | 537036820 | BY-P CONFIGURATION | | |
| - | 610004254 | DUST/POWDER ECOCLEANER 250g | | |
| - | 957846010F | FAEMA STAINLESS STEEL/WOODEN 2-WAY FILTE | | |
| | ⇔ 957846000F | 2-WAY FILTER-HOLDER* S.STEEL/WOOD FAEMA | | |
| - | 957858010F | FAEMA STAINLESS STEEL/WOODEN 1-WAY FILTE | | |
| | ⇔ 957858000F | 1-WAY FILTER-HOLDER* S.STEEL/WOOD FAEMA | | |
| - | 957849010F | FAEMA DESMOPAN/STAINLESS STEEL FILTER-HO | | |
| | ⇔ 957849000F | 2-WAY FILTER-HOLDER* S.STEEL/DESMO FAEMA | | |
| - | 957859010F | FAEMA 1-WAY DESMOPAN/STAINLESS STEEL FIL | | |
| | ⇔ 957859000F | 1-WAY FILTER-HOLDER* S.STEEL/DESMO FAEMA | | |
| - | 957852010F | FAEMA 2WAY FILTERHOLDER BRASS/DESMO | | |
| | ⇔ 957852000F | 2-WAY FILTER-HOLDER* BRASS/DESMO FAEMA | | |
| - | 957855010F | FAEMA BRASS/PLASTIC 2-WAY FILTER-HOLDER | | |

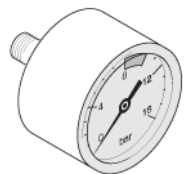
| Pos | Part Number | Description | Validity | Notes |
|-----|--------------|--|----------|-------|
| | ⇒ 957855000F | 2-WAY FILTER-HOLDER* BRASS/PLASTIC FAEMA | | |
| - | 957860010F | FAEMA 1WAY FILTERHOLDER BRASS/DESMO | | |
| | ⇒ 957860000F | 1-WAY FILTER-HOLDER* BRASS/DESMO FAEMA | | |
| - | 957861010F | FAEMA BRASS/PLASTIC 1-WAY FILTER-HOLDER | | |
| | ⇒ 957861000F | 1-WAY FILTER-HOLDER* BRASS/PLASTIC FAEMA | | |
| - | 457443000F | SPOUT SHORT SCREW | | |
| - | 457471007 | FILTER-HOLDER* BRASS SPACER | | |
| - | 457442000F | FILTER-HOLDER* S.STEEL SPACER | | |
| - | 981153000 | 3/8GAS NIPPLE W/FILTER | | |
| - | 957849010F | FAEMA DESMOPAN/STAINLESS STEEL FILTER-HO | | |
| - | 957859010F | FAEMA 1-WAY DESMOPAN/STAINLESS STEEL FIL | | |
| - | 629000300 | 8" ALLEN KEY | | |
| - | 957855010F | FAEMA BRASS/PLASTIC 2-WAY FILTER-HOLDER | | |
| - | 957861010F | FAEMA BRASS/PLASTIC 1-WAY FILTER-HOLDER | | |
| - | 903224005F | FLANGE | | |
| - | 457431005F | DISPENSER GROUP WITH DISC | | |
| - | 993761020F | EXPANSION VALVE NSF | | |
| - | 457429005F | FAEMA DISPENSER GROUP | | |
| - | 957852010F | FAEMA 2WAY FILTERHOLDER BRASS/DESMO | | |
| - | 957860010F | FAEMA 1WAY FILTERHOLDER BRASS/DESMO | | |
| - | 993761020F | EXPANSION VALVE NSF | | |
| - | 911990020 | BOILER 2GR | | |
| | ⇒ 911990010 | BOILER 2 GR | | |
| - | 911991010 | BOILER 3 GR | | |
| - | 911591020 | BOILER 4 GR | | |
| - | 911596010 | INJECTOR | | |
| - | 457062020 | SPAZZ PUL GUARN CAMPANA POLIS | | |
| | ⇒ 457062010 | BELL CLEANING BRUSH | | |
| - | 957846010F | FAEMA STAINLESS STEEL/WOODEN 2-WAY FILTE | | |
| - | 957858010F | FAEMA STAINLESS STEEL/WOODEN 1-WAY FILTE | | |
| - | 419506020 | CHECK VALVE | | |
| - | 911591030 | BOILER 4GR | | |
| - | 911991020 | BOILER 3GR | | |
| - | 911990020 | BOILER 2GR | | |
| - | 531494300 | METAL. COND. 10 uF DUCATI 416.33.27 | | |
| - | 903225005F | FLANGIA ALIMENT. CALDAIA CW510L CLB | | |
| - | 419504020 | FORM. VALVOLA DI RITEGNO | | |
| - | 457062020 | SPAZZ PUL GUARN CAMPANA POLIS | | |
| - | 533902810F | 3-WAY SOLENOID VALVE BODY BASE | | |

| Pos | Part Number | Description | Validity | Notes |
|-----|-------------|---|----------|-------|
| - | 533892510R | 3-WAY SCEM SOLENOID VALVE R.208-240V 60H | | |
| - | 533894610R | 3-WAY SOLENOID VALVE BASE 220/240V 50Hz | | |
| - | 903226005F | VALVE BODY CLB | | |
| - | 533900020 | SOLENOID VALVE 2NC BAS. 200V 50/60 (20ba | | |
| - | 533898320R | 2-WAY SOLENOID VALVE 220/240/50-60 | | |
| - | 533795920R | 3-WAY SOLENOID VALVE RUB V200-208/50-60 | | |
| - | 419505020 | FORM. VALVOLA DI CARICO | | |



3781-133 765

**DUE - SMART
E98 P - E97**



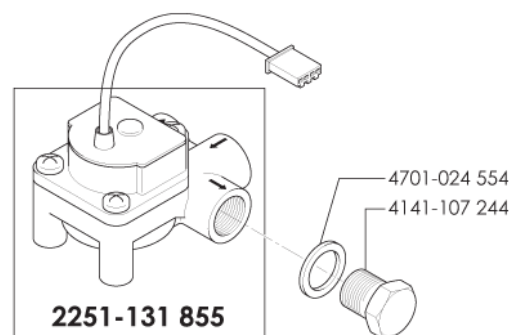
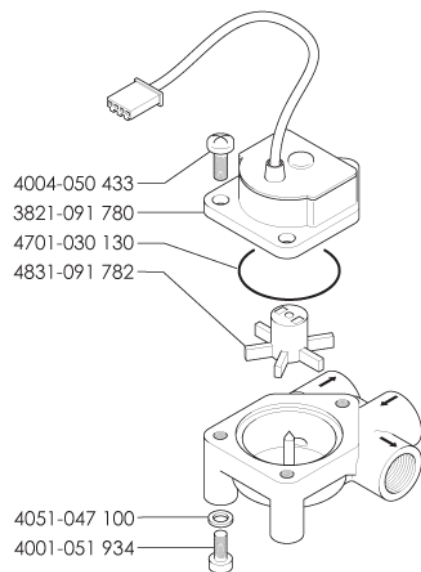
3781-133 399

**E91 N Diplomat A/S
E92 ELITE A/S**



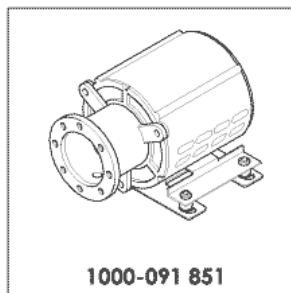
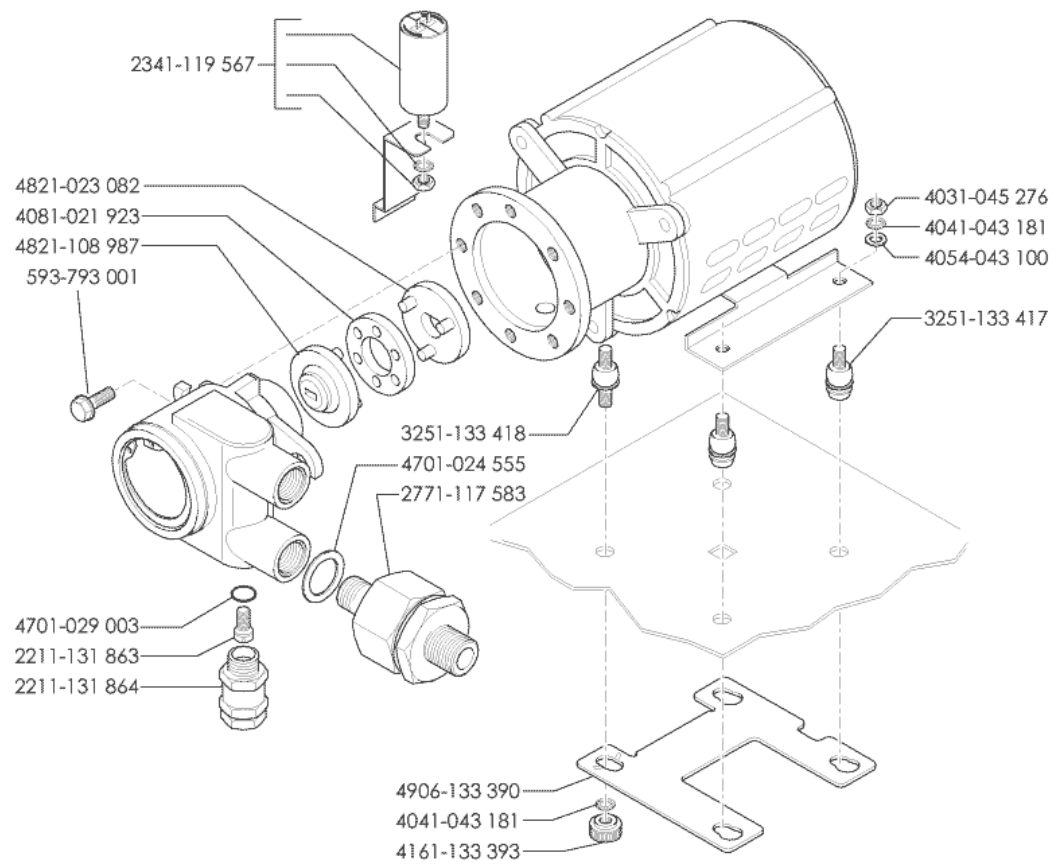
*** 1000-091 888**

**E91 N Diplomat S
E92 ELITE S**

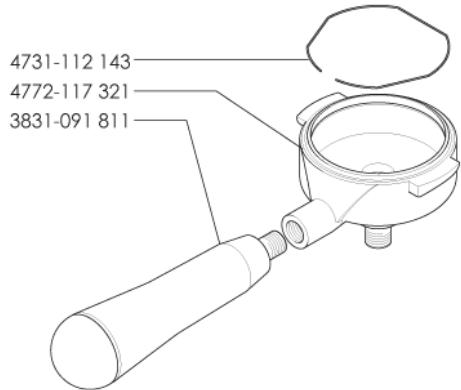


TURBINETTA - TURBINE

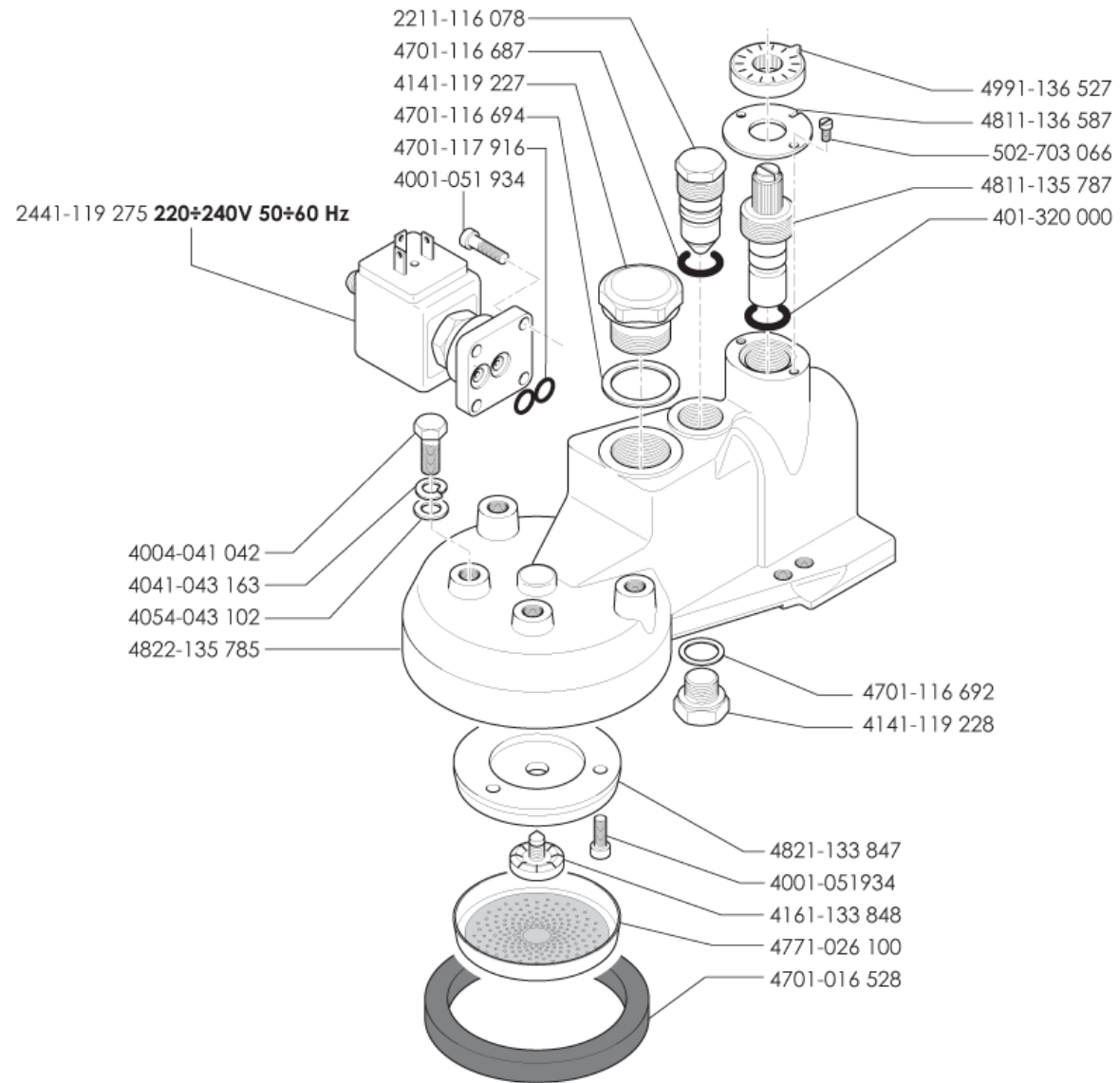
| Pos | Part Number | Description | Validity | Notes |
|-----|--------------|---|----------|-------|
| - | 3781133400 | BOILER GAUGE | | |
| | ⇒ 1000091888 | REPLACED BY 3781133400 | | |
| - | 534393300 | SPARE GICAR 3V. VOL.COUNT. ASSEMBLY W/ A | | |
| | ⇒ 2251131855 | FLOWMETER COMPL. | | |
| - | 3781133399 | PUMP GAUGE | | |
| - | 3781133765 | GAUGE DOUBLE DUE E97 | | |
| - | 3821091780 | FLOWMETER COVER | | |
| - | 4001051934 | SCREW M 4 X 10 | | |
| - | 501804100 | M4X10 T.C.T.CR. SCREW | | |
| | ⇒ 4004050433 | REPLACED BY 501804100 | | |
| - | 4051047100 | FLAT WASHER 4,3X9 | | |
| - | 594537010 | BLIND NIPPLE 1/4 GAS ST. STEEL | | |
| | ⇒ 4141107244 | FEELER ATTACHMENT PLUG | | |
| - | 4701024554 | COPPER GASKET ø 18X13,5X1,5 | | |
| - | 4701030130 | O-RING 28,30X1,78 | | |
| - | 4831091782 | FANE FLOWMETER | | |



| Pos | Part Number | Description | Validity | Notes |
|-----|--------------|---------------------------------------|----------|-------|
| - | 1000091851 | MOTOR COMPL. | | |
| - | 2211131863 | REPLACED BY 537036800 | | |
| - | 2211131864 | REPLACED BY 537036800 | | |
| - | 533180010 | 180 L/h VOLUMETRIC PUMP INOX W/FILTER | | |
| | ⇒ 2241130177 | REPLACED BY 462992000 | | |
| - | 531494300 | METAL. COND. 10 uF DUCATI 416.33.27 | | |
| | ⇒ 2341119567 | CONDENSER 10MF | | |
| - | 925783010 | PUMP FILTER | | |
| | ⇒ 2771117583 | PUMP FILTER | | |
| - | 3251133417 | RUBBER ANTIVIBRATION | | |
| - | 3251133418 | RUBBER ANTIVIBRATION | | |
| - | 4031045276 | NUT | | |
| - | 4041043181 | WASHER | | |
| - | 4054043100 | WASHER FLAT 4,3X9 | | |
| - | 4081021923 | RING | | |
| - | 532741400 | KNOB M4 | | |
| | ⇒ 4161133393 | NUT | | |
| - | 4701024555 | GASKET | | |
| - | 4701029003 | GASKET | | |
| - | 4821023082 | MOTOR JOINT | | |
| - | 4821108987 | PUMP JOINT | | |
| - | 4906133390 | BLOCKING PUMP PLATE | | |
| - | 593793001 | SCREW M6 X 16 WITH PROFILE | | |



| Pos | Part Number | Description | Validity | Notes |
|-----|--------------|--------------------------------------|----------|-------|
| - | 457894020 | COMPLETE 2 WAY SPOUT | | |
| | ⇌ 2251091807 | DOUBLE SPOUT (I) | | |
| - | 457895020 | SPOUT DOUBLE SHORT | | |
| | ⇌ 2251091808 | SPOUT DOUBLE SHORT | | |
| - | 457889070 | 1-WAY (I) FILTER-HOLDER ASSY | | |
| | ⇌ 2771133836 | FILTERHOLDER DIPL. ITALY | | |
| - | 457888070 | 2-WAY (I) FILTER-HOLDER ASSY | | |
| | ⇌ 2771133837 | FILTERHOLDER 2 CUPS ITALY DIPL. | | |
| - | 457887070 | 1-WAY (E) FILTER-HOLDER ASSY | | |
| | ⇌ 2771133838 | FILTERHOLDER 1 CUP DIPL. FOREIGN | | |
| - | 457886070 | 2-WAY (E) FILTER-HOLDER ASSY | | |
| | ⇌ 2771133839 | FILTERHOLDER 2 CUPS FOREIGN DIPL. | | |
| - | 3831091811 | FILTER HOLDER KNOB FORM. | | |
| - | 4142011678 | SPOUT HOLE CLOSING PLUG | | |
| - | 4162015073 | SPOUT COVER | | |
| - | 457874000 | SPRING FOR LOCKING THE COFFEE FILTER | | |
| | ⇌ 4731112143 | SPRING FOR FILTERHOLDER | | |
| - | 457367000 | 1-CUP FILTER LOW | | |
| | ⇌ 4771014418 | 1-CUP FILTER LOW | | |
| - | 4771016575 | FILTER 2 CUPS LOW | | |
| - | 457368000 | COFFEE FILTER 1 CUP | | |
| | ⇌ 4771021830 | COFFEE FILTER 1 CUP | | |
| - | 800021902 | SHOWER WASCHER BLIND FILTER | | |
| | ⇌ 4771021902 | BLINDFILTER | | |
| - | 457369000 | 2-CUP FILTER | | |
| | ⇌ 4771021994 | 2-CUP FILTER | | |
| - | 4772117321 | FILTER-HOLDER BODY | | |
| - | 4822130085 | SPOUT 1 CUP ITALY SHORT | | |
| - | 457358017 | 1 WAY SPOUT | | |
| | ⇌ 4822130117 | SPOUT 1 CUP FOREIGN | | |



| Pos | Part Number | Description | Validity | Notes |
|-----|--------------|--|----------|-------|
| - | 922785000 | GROUP NOZZLE 0,7 MM NF | | |
| | ⇌ 2211116078 | GROUP NOZZLE 0,7 MM | | |
| - | 533894610R | 3-WAY SOLENOID VALVE BASE 220/240V 50Hz | | |
| | ⇌ 2441119275 | REPLACED BY 533795610 | | |
| - | 4001051934 | SCREW M 4 X 10 | | |
| - | 4004041042 | SCREW M6X12 | | |
| - | 401320000 | O-RING 7.5X2.62 | | |
| - | 565801041 | WASHER 6,7 | | |
| | ⇌ 4041043163 | REPLACED BY 565801041 | | |
| - | 4054043102 | WASHER | | |
| - | 457343000 | PLUG | | |
| | ⇌ 4141119227 | PLUG | | |
| - | 457344000 | PLUG | | |
| | ⇌ 4141119228 | PLUG | | |
| - | 457342000 | WATER DISTRIBUTER GROUP IN BRASS | | |
| | ⇌ 4161133848 | WATER DISTRIBUTER GROUP IN BRASS | | |
| - | 402199010 | GROUP GASKET | | |
| | ⇌ 4701016528 | GROUP GASKET 8 MM | | |
| - | 4701116687 | O-RING | | |
| - | 4701116692 | GASKET | | |
| - | 4701116694 | GASKET | | |
| - | 402291000 | OR 5.7 x 1.9 NBR 70 NSF | | |
| | ⇌ 4701117916 | GASKET | | |
| - | 457560000 | SHOWER GROUP | | |
| | ⇌ 4771026100 | REPLACED BY 457560000 | | |
| - | 4811135787 | SCREW | | |
| - | 4811136587 | STOP DISCH | | |
| - | 4821133847 | DISC FOR GROUP | | |
| - | 457431005F | DISPENSER GROUP WITH DISC | | |
| | ⇌ 4822135785 | DISPENSER GROUP BODY | | |
| - | 4991136527 | TERMIC REGULATION PIN | | |
| - | 502703066 | 3X6 TCTC S.S. SCREW | | |

| Pos | Part Number | Description | Validity | Notes |
|-----|--------------|------------------------------|----------|-------|
| - | 985716020F | M22X1 JET BREAKER | | |
| | ⇌ 2151134616 | JET BREAKER M22X1 | | |
| - | 2441133416 | PUMP 220/50 HORIZ. MOTOR UL | | |
| - | 990888000 | BIPOLAR LIGHTING SWITCH | | |
| | ⇌ 3302134423 | SWITCH E97 | | |
| - | 3529133899 | KNOB GENERAL SWITCH BLACK | | |
| - | 400335010 | GASKET 21X24,5X1,5 | | |
| | ⇌ 400335000 | GASKET | | |
| - | 503308250 | S.S. M8X25 BOLD | | |
| | ⇌ 4011029575 | STUD BOLT | | |
| - | 401183010 | GASKET 22X17X1,5 INLET VALVE | | |
| | ⇌ 401183000 | GUARNIZIONE 17X22X1,5 | | |
| - | 401250010 | GASKET § 17,9X14,2X1,5 | | |
| | ⇌ 401250000 | GASKET | | |
| - | 402220000 | O-RING 9,13X2,62 | | |
| | ⇌ 401278000 | O-RING 9,13 X 2,62 | | |
| - | 402218000 | GASKET 14X1.78 NF | | |
| | ⇌ 401305000 | GASKET 14X1.78 | | |
| - | 402222000 | GASKET | | |
| - | 457389005F | WATER MIXER BODY | | |
| | ⇌ 407014008 | WATER ECONOMIZER SUPPORT | | |
| - | 4081132841 | COMPRESSION RING | | |
| - | 993761020F | EXPANSION VALVE NSF | | |
| | ⇌ 415932010 | EXPANSION VALVE | | |
| - | 418012045F | VALVOLINO CLB | | |
| | ⇌ 418012028 | SHORT VALVE | | |
| - | 418935030 | CHECK VALVE | | |
| | ⇌ 418935010 | CHECK VALVE | | |
| - | 418935030 | CHECK VALVE | | |
| - | 418941010 | ANTI-UNDERTOW VALVE ASS. | | |
| | ⇌ 418941000 | ANTI-UNDERTOW VALVE ASS. | | |
| - | 418941010 | ANTI-UNDERTOW VALVE ASS. | | |
| - | 419084000 | NIPPLES DOUBLE 1/8 - 1/2 | | |
| - | 430119010 | SLEEVE | | |
| - | 433041000 | FROTHER PROTECTION PIPE | | |
| - | 438926020 | SAFETY VALVE 2,0 | | |
| - | 457347010 | 3/8 GAS EXAGONAL INOX CAP | | |
| | ⇌ 457347000 | PLUG 3/8 | | |
| - | 457347010 | 3/8 GAS EXAGONAL INOX CAP | | |
| - | 457355027 | FILTER-HOLDER BODY | | |
| | ⇌ 457355007 | FILTER-HOLDER BODY | | |
| - | 457355027 | FILTER-HOLDER BODY | | |
| | ⇌ 457355017 | FILTERHOLDER BODY | | |
| - | 457357007 | SPOUT COVER | | |
| - | 457358017 | 1 WAY SPOUT | | |

| Pos | Part Number | Description | Validity | Notes |
|-----|-------------|---------------------------------------|----------|-------|
| | ⇌ 457358007 | SPOUT 1 CUP FOREIGN | | |
| - | 457358017 | 1 WAY SPOUT | | |
| - | 457360017 | SPOUT 1 CUP ITALY SHORT | | |
| | ⇌ 457360007 | SPOUT 1 CUP ITALY SHORT | | |
| - | 457360017 | SPOUT 1 CUP ITALY SHORT | | |
| - | 457364000 | PLUG 3/8 | | |
| - | 457886070 | 2-WAY (E) FILTER-HOLDER ASSY | | |
| | ⇌ 457886000 | FILTERHOLDER 2 CUPS FOREIGN DIPL. | | |
| - | 457886070 | 2-WAY (E) FILTER-HOLDER ASSY | | |
| | ⇌ 457886010 | FILTERHOLDER 2 CUPS FOREIGN DIPL. | | |
| - | 457886070 | 2-WAY (E) FILTER-HOLDER ASSY | | |
| | ⇌ 457886020 | 2 WAY FILTERHOLDER (FOREIGN) | | |
| - | 457887070 | 1-WAY (E) FILTER-HOLDER ASSY | | |
| | ⇌ 457887000 | FILTERHOLDER 1 CUP DIPL. FOREIGN | | |
| - | 457887070 | 1-WAY (E) FILTER-HOLDER ASSY | | |
| | ⇌ 457887010 | FILTERHOLDER 1 CUP DIPL. FOREIGN | | |
| - | 457887070 | 1-WAY (E) FILTER-HOLDER ASSY | | |
| | ⇌ 457887020 | 1 WAY FILTERHOLDER (FOREIGN) | | |
| - | 457888070 | 2-WAY (I) FILTER-HOLDER ASSY | | |
| | ⇌ 457888000 | FILTERHOLDER 2 CUPS ITALY DIPL. | | |
| - | 457888070 | 2-WAY (I) FILTER-HOLDER ASSY | | |
| | ⇌ 457888010 | FILTERHOLDER 2 CUPS ITALY DIPL. | | |
| - | 457888070 | 2-WAY (I) FILTER-HOLDER ASSY | | |
| | ⇌ 457888020 | FILTERHOLDER 2 CUPS ITALY DIPL. | | |
| - | 457889070 | 1-WAY (I) FILTER-HOLDER ASSY | | |
| | ⇌ 457889000 | FILTERHOLDER DIPL. ITALY | | |
| - | 457889070 | 1-WAY (I) FILTER-HOLDER ASSY | | |
| | ⇌ 457889010 | FILTERHOLDER DIPL. ITALY | | |
| - | 457889070 | 1-WAY (I) FILTER-HOLDER ASSY | | |
| | ⇌ 457889020 | FILTERHOLDER DIPL. ITALY | | |
| - | 457894020 | COMPLETE 2 WAY SPOUT | | |
| | ⇌ 457894000 | DOUBLE SPOUT (I) | | |
| - | 457894020 | COMPLETE 2 WAY SPOUT | | |
| | ⇌ 457894010 | DOUBLE SPOUT (I) | | |
| - | 457894020 | COMPLETE 2 WAY SPOUT | | |
| - | 457895020 | SPOUT DOUBLE SHORT | | |
| | ⇌ 457895000 | SPOUT DOUBLE SHORT | | |
| - | 457895020 | SPOUT DOUBLE SHORT | | |
| | ⇌ 457895010 | SPOUT DOUBLE SHORT | | |
| - | 457895020 | SPOUT DOUBLE SHORT | | |
| - | 533180010 | 180 L/h VOLUMETRIC PUMP INOX W/FILTER | | |
| | ⇌ 462707000 | VOLUMETRIC PUMP 180LT/H | | |
| - | 533180010 | 180 L/h VOLUMETRIC PUMP INOX W/FILTER | | |
| | ⇌ 462707010 | VOLUMETRIC PUMP 180LT/H | | |
| - | 533180010 | 180 L/h VOLUMETRIC PUMP INOX W/FILTER | | |

| Pos | Part Number | Description | Validity | Notes |
|-----|--------------|---------------------------------------|----------|-------|
| | ⇌ 462714000 | VOLUMETRIC PUMP 180LT/H NF | | |
| - | 533180010 | 180 L/h VOLUMETRIC PUMP INOX W/FILTER | | |
| | ⇌ 462991000 | VOLUMETRIC PUMP 120LT/H | | |
| - | 532161000 | CABLE GLAND ø 34 | | |
| | ⇌ 4701051811 | CABLE GLAND | | |
| - | 911563010 | RIGHT TAP LEVER | | |
| | ⇌ 4831132313 | RIGHT TAP LEVER | | |
| - | 911564010 | TAP LEVER LEFT | | |
| | ⇌ 4831132314 | TAP LEVER LEFT E91/DUE | | |
| - | 532160300 | FIXED CABLE PRESS | | |
| | ⇌ 4831133995 | FIXED CABLE PRESS | | |
| - | 485078010 | GASKET | | |
| | ⇌ 485078000 | GASKET | | |
| - | 485147000 | SPRING | | |
| - | 485180026 | ARTICULATION | | |
| | ⇌ 485180016 | ARTICULATION | | |
| - | 485200038 | COVER FOR STEAM TUBE CONFIGURATION | | |
| | ⇌ 485200026 | FITTING | | |
| - | 485200038 | COVER FOR STEAM TUBE CONFIGURATION | | |
| | ⇌ 485200028 | FITTING | | |
| - | 485201008 | BRASS SPACER §14.9X13 | | |
| | ⇌ 485201000 | BRASS SPACER §14.9X13 | | |
| - | 485201008 | BRASS SPACER §14.9X13 | | |
| - | 485206040 | STEAM OUTLET WITH THERMOCOUPLE ø1,75 | | |
| | ⇌ 485206030 | STEAM OUTLET WITH THERMOCOUPLE ø1,75 | | |
| - | 485206040 | STEAM OUTLET WITH THERMOCOUPLE ø1,75 | | |
| - | 457486005F | TAP CONNECTOR | | |
| | ⇌ 485219008 | UNION | | |
| - | 485225018 | FITTING | | |
| | ⇌ 485225016 | FITTING | | |
| - | 485225018 | FITTING | | |
| - | 485226050 | THERMOCOUPLE STEAM BULB | | |
| | ⇌ 485226040 | THERMOCOUPLE STEAM BULB | | |
| - | 485226050 | THERMOCOUPLE STEAM BULB | | |
| - | 485327000 | VAPORISER TERMINAL DIAMETER 1.5 | | |
| - | 485328000 | VAPORISER TERMINAL DIAMETER 2 | | |
| - | 485576020 | STEAM WAND WITH THERMOCOUPLE V.A. | | |
| | ⇌ 485576010 | STEAM WAND WITH THERMOCOUPLE V.A. | | |
| - | 485576020 | STEAM WAND WITH THERMOCOUPLE V.A. | | |
| - | 485582020 | SHORT STEAM WAND WITH THERMOCOUPLE | | |
| | ⇌ 485582010 | SHORT STEAM WAND WITH THERMOCOUPLE | | |
| - | 485582020 | SHORT STEAM WAND WITH THERMOCOUPLE | | |
| - | 485757020 | ST. STEEL STEAM TUBE ASS. BULB 1.5 | | |
| | ⇌ 485757000 | INOX STEAM WAND WITH 1,5 NOZZLE | | |
| - | 485757020 | ST. STEEL STEAM TUBE ASS. BULB 1.5 | | |

| Pos | Part Number | Description | Validity | Notes |
|-----|--------------|---------------------------------------|----------|-------|
| | ⇒ 485757010 | ST. STEEL STEAM TUBE ASS. BULB | | |
| - | 485757020 | ST. STEEL STEAM TUBE ASS. BULB 1.5 | | |
| - | 4881133964 | ADHESIVE INSULATING | | |
| - | 521042160 | SCREW | | |
| - | 530118700 | DELAYED FUSE Ø5X20 125mA (ST520112) | | |
| - | 938897000 | 24 "TURBOSTEAM" COMPRESSOR | | |
| | ⇒ 530298000 | 24 "TURBOSTEAM" COMPRESSOR | | |
| - | 2441133416 | PUMP 220/50 HORIZ. MOTOR UL | | |
| | ⇒ 530298400 | PUMP 220-240V/50-60 HORIZ. MOTOR | | |
| - | 531190310 | PRESSOSTAT | | |
| | ⇒ 531194200 | PRESSURE-STAT UL | | |
| - | 531494300 | METAL. COND. 10 uF DUCATI 416.33.27 | | |
| | ⇒ 531492400 | CAPACITOR 10MF | | |
| - | 532006600 | MICRO SWITCH | | |
| - | 532020208 | MAIN SWITCH | | |
| | ⇒ 532020200 | MAIN SWITCH | | |
| - | 532161000 | CABLE GLAND ø 34 | | |
| - | 532169300 | PLUG | | |
| - | 532305000 | FILTER | | |
| - | 532390600 | DRAIN PIPE | | |
| - | 532392600 | SAFETY VALVE 1,9 bar 3/8G | | |
| - | 532501000R | T - FITTING | | |
| - | 532501200R | FITTING 1/4 X 1/8 | | |
| - | 532501300R | SCREW SO-40371-1/8 | | |
| - | 532501600R | FITTING 1/8 F | | |
| - | 532501810R | SERTO 1/8 CONNECTOR | | |
| | ⇒ 532501800R | FITTING 1/8 X 1/8 | | |
| - | 532503300R | UNION | | |
| - | 532503500R | 1/4-1/4 UNION | | |
| - | 555000050R | FITTING | | |
| | ⇒ 532506216 | CONNECTION | | |
| - | 532715310 | STAINLESS STEEL CLAMP 730x7.96x0.28MM | | |
| - | 532745400 | CLAMP | | |
| - | 532802210 | UL FOOT | | |
| - | 981153000 | 3/8GAS NIPPLE W/FILTER | | |
| | ⇒ 533100400 | INSIDE FILTER | | |
| - | 533100500 | OR 18X22 | | |
| - | 981153000 | 3/8GAS NIPPLE W/FILTER | | |
| | ⇒ 533100600 | JOINT 3/8X3/8 | | |
| - | 533180010 | 180 L/h VOLUMETRIC PUMP INOX W/FILTER | | |
| | ⇒ 533180000 | VOLUMETRIC PUPMP INOX 180 L/H | | |
| - | 533180010 | 180 L/h VOLUMETRIC PUMP INOX W/FILTER | | |
| - | 533180010 | 180 L/h VOLUMETRIC PUMP INOX W/FILTER | | |
| | ⇒ 533408000 | VOLUMETRIC PUMP 180LT/H inox | | |
| - | 533796500R | SOLENOID VALVE 2R UL 208/60 | | |

| Pos | Part Number | Description | Validity | Notes |
|-----|--------------|--|----------|-------|
| - | 533904800F | VITON 1/8" 220/240 V 50/60 Hz EV 2 VIE N | | |
| | ⇔ 533798310R | SOLENOID VALVE U.L. | | |
| - | 533799000R | SOLENOID 2G 200-208/50-60 LU | | |
| - | 533894800R | SOLENOID VALVE 220 VOLT 50 HZ 3WAY | | |
| - | 533904800F | VITON 1/8" 220/240 V 50/60 Hz EV 2 VIE N | | |
| | ⇔ 533895200R | SOLENOID VALVE 220/240 V 50 HZ VITON 1/8 | | |
| - | 533895800R | SOLENOID VALVE 3G DIAM.3 1/4 220-240/50 | | |
| - | 533895918 | SOLENOID VALVE 3G DIAM.3 1/4 200/50-60 | | |
| - | 533902200 | SOL.VALV. 3-2 NC VITON PARKER 1/4" G UL | | |
| | ⇔ 533896000R | SOLENOID VALVE 3G D.3 1/4 208-240/60UL | | |
| - | 533904900F | VITON 1/8" 208/240 V 60 Hz EV 2 VIE NC | | |
| | ⇔ 533896200R | SOLENOID VALVE 208-240/60 NF | | |
| - | 536100110 | PISTON COMPRESSOR | | |
| - | 537031801 | ELECTRONIC BOARD | | |
| - | 537033010 | STEAM WAND §2,0 | | |
| - | 533180010 | 180 L/h VOLUMETRIC PUMP INOX W/FILTER | | |
| | ⇔ 537048500 | VOLUMETRIC PUMP 180LT/H | | |
| - | 555000035R | FITTING | | |
| - | 555000050R | FITTING | | |
| - | 555000074R | FITTING | | |
| - | 568810000 | RING BENZING DIA 10 | | |
| - | 590533008 | NIPPLES DOUBLE 3/8X1/8 | | |
| - | 591430018 | FITTING INJECTOR | | |
| - | 937037008 | ELBOW JOINT 1/4" GAS WITH RUBBER HOLDER | | |
| | ⇔ 591454008 | FITTING | | |
| - | 592029000R | PIPE UNION BLIND | | |
| - | 592029000R | PIPE UNION BLIND | | |
| | ⇔ 592029006 | UNION | | |
| - | 592036018 | SPECIAL UNION RUV | | |
| - | 593573018 | CONNECTOR | | |
| - | 902177000 | UL POWER CABLE | | |
| - | 902318000 | AUTOMATIC STEAM STICKER | | |
| - | 903995020 | WATER/STEAM VALVE | | |
| | ⇔ 903995010 | WATER AND STEAM VALVE | | |
| - | 911043030 | FRONT PANEL 2GR HIGH GLASSES | | |
| - | 911063004 | CUPWARMER FRONTAL PROFILE 2GR | | |
| | ⇔ 911063000 | MANCA LINGUA | | |
| - | 911070008 | AUTOM. COFFEE CONTROLS CARD | | |
| | ⇔ 911070000 | MANCA LINGUA | | |
| - | 911087000 | MANCA LINGUA | | |
| - | 911095000 | MANCA LINGUA | | |
| - | 911098030 | FRONT PANEL 3GR HIGH GLASSES | | |
| - | 911138007 | MANCA LINGUA | | |
| - | 911147020 | CUP WARMER GRILL 328X302 | | |

| Pos | Part Number | Description | Validity | Notes |
|-----|-------------|--|----------|-------|
| - | 911150000 | CUP WARMER GRILL 328X239 | | |
| - | 911161008 | SEMIAUTOM. COFFEE CTRL. CARD | | |
| | ⇔ 911161000 | MANCA LINGUA | | |
| - | 911248030 | COVER PLATE 3GR INOX | | |
| - | 911249040 | COVER PLATE 3GR INOX VA | | |
| - | 911256030 | COVER PLATE 2GR INOX | | |
| - | 911258040 | COVER PLATE 2GR INOX VA | | |
| - | 911334006 | SPOUT ONE WAY NF | | |
| - | 911351014 | FRONT BASE PANEL 2GR BLU NF | | |
| - | 911352014 | FRONT BASE PANEL 3GR BLU NF | | |
| - | 911990020 | BOILER 2GR | | |
| | ⇔ 911508008 | BOILER GR2 STYLEMA | | |
| - | 911991010 | BOILER 3 GR | | |
| | ⇔ 911509008 | BOILER GR3 STYLEMA | | |
| - | 911544020 | 220-240V 3750-4500W RESISTANCE | | |
| | ⇔ 911544010 | HEATING ELEMENT 3E 220-240V 3750 4500W | | |
| - | 911545020 | HEATING ELEMENT 220÷240V 4500÷5360W | | |
| | ⇔ 911545010 | HEATING ELEMENT 3E 220-240V 4500-5360W | | |
| - | 911545028 | 220-240V 4500-5360W RESISTANCE W/ RUVECO | | |
| | ⇔ 911545018 | HEATING ELEMENT 3E 220-240V 4500-5360W | | |
| - | 911546028 | 220-240V 5700-6800W RESISTANCE W/ RUVECO | | |
| | ⇔ 911546018 | HEATING ELEMENT 3EL.220-240V 5700-6800W | | |
| - | 911563010 | RIGHT TAP LEVER | | |
| - | 911564010 | TAP LEVER LEFT | | |
| - | 911596010 | INJECTOR | | |
| | ⇔ 911596000 | INJECTOR | | |
| - | 911982000 | 2GR BOILER ASS. W/RUVECO | | |
| | ⇔ 911620008 | 2GR BOILER ASS. W/RUVECO | | |
| - | 911719000 | CUP TRAY GR3 | | |
| - | 911719010 | CUP TRAY GR3 | | |
| - | 911746018 | GROUP LINE TV NF | | |
| - | 911748010 | MANCA LINGUA | | |
| - | 922806008 | FLOWMETER CONN.PIPE NF | | |
| | ⇔ 911754006 | FLOWMETER CONN. PIPE NF | | |
| - | 911755018 | FLOW METER-COLD WATER MIXER SOL.TUBE NF | | |
| - | 911756018 | FLOW METER-HEAT EXCHANG.TUBE NF | | |
| - | 911761018 | FLOW METER TUBE-EXPANSION VALVE NF | | |
| - | 911763018 | BOILER-RIGHT STEAM WAND TUBE NF | | |
| - | 911818000 | CUP TRAY GR2 | | |
| - | 911818010 | CUP TRAY GR2 | | |
| - | 912829010 | BODY FAUCET | | |

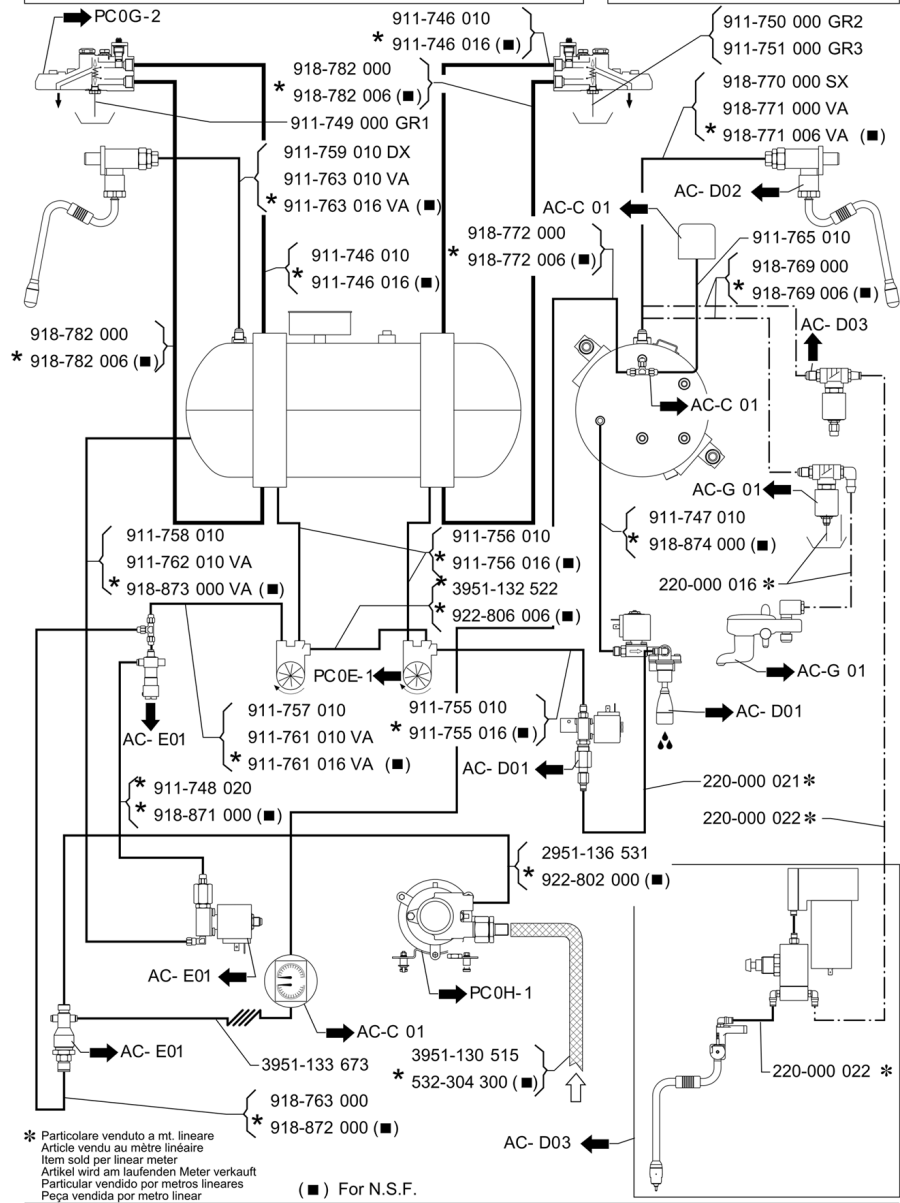
| Pos | Part Number | Description | Validity | Notes |
|-----|-------------|--|----------|-------|
| | ⇌ 912829000 | BODY FAUCET | | |
| - | 912829010 | BODY FAUCET | | |
| - | 915176000 | SHAFTHOLDER RING | | |
| - | 915177010 | MAIN SHAFT | | |
| - | 918769008 | BOILER-STEAM SOLENOID TUBE NF | | |
| - | 918771008 | BOILER-LEFT STEAM WAND TUBE NF | | |
| - | 918772008 | BOILER PIPE-GAUGE NF | | |
| - | 918782008 | RETURN GROUP LINE TV NF | | |
| - | 918785000 | KIT TUBE DRIP TRAY | | |
| - | 537060300 | AUTOSTEAM BOARD SPARE PARTS KIT | | |
| | ⇌ 918840000 | AUTOSTEAM ELECTRONIC BOARD | | |
| - | 537060300 | AUTOSTEAM BOARD SPARE PARTS KIT | | |
| | ⇌ 918840010 | AUTOSTEM CARD SPARE PARTS KIT | | |
| - | 957709010 | 1 WAY FILTERHOLDER (FOREIGN) NSF LEFT SI | | |
| | ⇌ 918904000 | FILTERHOLDER 1 CUP DIPL. | | |
| - | 957710010 | 2 WAY FILTERHOLDER ITALY NSF | | |
| | ⇌ 918905000 | FILTERHOLDER 2 CUPS NSF | | |
| - | 936960020F | WATER WAND ASSEMBLY W/PLASTIC CAP | | |
| | ⇌ 922792010 | WATER SPOUT STAIN LESS STEEL | | |
| - | 922806008 | FLOWMETER CONN.PIPE NF | | |
| - | 957711010 | ONE WAY FILTER NSF | | |
| | ⇌ 924928000 | ONE SPOUT FILTER NF | | |
| - | 924999000 | STEAM WAND §1,5 | | |
| - | 927132010 | MANIFOLD | | |
| - | 927237000 | GRATED CUP TRAY GUIDE VA | | |
| - | 930020010 | STEAM TAP HANDLE SMART R | | |
| - | 930067000 | TAP VALVE BASE NF | | |
| - | 936960020F | WATER WAND ASSEMBLY W/PLASTIC CAP | | |
| | ⇌ 936960010 | WATER SPOUT STAIN LESS STEEL | | |
| - | 938852000 | 24 "TURBOSTEAM" COMPRESSOR | | |
| - | 938897000 | 24 "TURBOSTEAM" COMPRESSOR | | |
| - | 952846010 | ELECTRONIC BOARD | | |
| | ⇌ 952846000 | BASE BOARD | | |
| - | 952846010 | ELECTRONIC BOARD | | |
| - | 957770000F | 2-WAY (E) NSF FILTER HOLDER | | |
| | ⇌ 957708010 | TWO WAY FILTER (E) NSF | | |
| - | 957709010 | 1 WAY FILTERHOLDER (FOREIGN) NSF LEFT SI | | |
| | ⇌ 957709000 | FILTERHOLDER 1 CUP DIPL. NF | | |
| - | 957709010 | 1 WAY FILTERHOLDER (FOREIGN) NSF LEFT SI | | |
| - | 957710010 | 2 WAY FILTERHOLDER ITALY NSF | | |
| | ⇌ 957710000 | FILTERHOLDER 2 CUPS NSF | | |
| - | 957710010 | 2 WAY FILTERHOLDER ITALY NSF | | |
| - | 957711010 | ONE WAY FILTER NSF | | |
| | ⇌ 957711000 | ONE SPOUT FILTER NF | | |
| - | 957711010 | ONE WAY FILTER NSF | | |

| Pos | Part Number | Description | Validity | Notes |
|-----|-------------|---|----------|-------|
| - | 985716020F | M22X1 JET BREAKER | | |
| | ⇌ 985716000 | JET BREAKER M22X1 NF | | |
| - | 985717000 | WATER WAND | | |
| - | 990073000 | DRAIN CONNECTION | | |
| - | 4034052287 | SELF-LOCKING NUT | | |
| - | 937037008 | ELBOW JOINT 1/4" GAS WITH RUBBER HOLDER | | |
| - | 4831134635 | DRAIN UNION UPPER PART | | |
| - | 533796500R | SOLENOID VALVE 2R UL 208/60 | | |
| | ⇌ 533796500 | SOLENOID VALVE 2R UL 208/60 | | |
| - | 537055300 | ANTI-WHIRLPOOL VALVE KIT | | |
| - | 533902200 | SOL.VALV. 3-2 NC VITON PARKER 1/4" G UL | | |
| - | 911544020 | 220-240V 3750-4500W RESISTANCE | | |
| - | 911545020 | HEATING ELEMENT 220÷240V 4500÷5360W | | |
| - | 911545028 | 220-240V 4500-5360W RESISTANCE W/ RUVECO | | |
| - | 911546028 | 220-240V 5700-6800W RESISTANCE W/ RUVECO | | |
| - | 911983000 | 3GR BOILER ASS. W/RUVECO | | |
| | ⇌ 911622008 | 3 GR BOILER ASSY Th. 1.2 mm W/RUVECO | | |
| - | 911990020 | BOILER 2GR | | |
| | ⇌ 911619000 | 2 GR BOILER ASSY Th. 1.2 mm | | |
| - | 911991010 | BOILER 3 GR | | |
| | ⇌ 911621000 | 3 GR BOILER ASSY Th. 1.2 mm | | |
| - | 911990020 | BOILER 2GR | | |
| | ⇌ 911990000 | 2GR BOILER ASS. | | |
| - | 911982000 | 2GR BOILER ASS. W/RUVECO | | |
| - | 911991010 | BOILER 3 GR | | |
| | ⇌ 911991000 | 3GR BOILER ASS. | | |
| - | 911983000 | 3GR BOILER ASS. W/RUVECO | | |
| - | 402320000F | 21X15X2 NSF SEAL | | |
| - | 936960020F | WATER WAND ASSEMBLY W/PLASTIC CAP | | |
| - | 957770000F | 2-WAY (E) NSF FILTER HOLDER | | |
| - | 993760000F | CHECK VALVE ASSEMBLY 3/8" - 1/8" | | |
| - | 993761000F | EXPANSION VALVE ASSEMBLY NSF | | |
| - | 533904800F | VITON 1/8" 220/240 V 50/60 Hz EV 2 VIE N | | |
| - | 533904900F | VITON 1/8" 208/240 V 60 Hz EV 2 VIE NC | | |
| - | 457355027 | FILTER-HOLDER BODY | | |
| - | 457886070 | 2-WAY (E) FILTER-HOLDER ASSY | | |
| | ⇌ 457886060 | ASS. PORTAFILTRO 2 VIE (E) | | |
| - | 457887070 | 1-WAY (E) FILTER-HOLDER ASSY | | |
| | ⇌ 457887060 | ASS. PORTAFILTRO 1 VIA (E) | | |
| - | 457888070 | 2-WAY (I) FILTER-HOLDER ASSY | | |
| - | 457889070 | 1-WAY (I) FILTER-HOLDER ASSY | | |
| - | 937108000F | JET NOZZLE Ø 0.8 | | |
| - | 947216000F | JET NOZZLE Ø 0.5 | | |

| Pos | Part Number | Description | Validity | Notes |
|-----|-------------|--|----------|-------|
| - | 957770010F | 2-WAY (E) FILTER-HOLDER ASSY | | |
| - | 457886070 | 2-WAY (E) FILTER-HOLDER ASSY | | |
| - | 457887070 | 1-WAY (E) FILTER-HOLDER ASSY | | |
| - | 533905000F | SOLENOID VALVE 2-WAY NC 200V VITON 1/8" | | |
| - | 537033110 | NEW MILK FROTHER | | |
| - | 537058000 | TWO DRIP TRAY HANDLES | | |
| - | 485200038 | COVER FOR STEAM TUBE CONFIGURATION | | |
| - | 537060300 | AUTOSTEAM BOARD SPARE PARTS KIT | | |
| - | 985611000 | STEAM WAND W/OUT BULB | | |
| - | 981153000 | 3/8GAS NIPPLE W/FILTER | | |
| - | 457389005F | WATER MIXER BODY | | |
| - | 457486005F | TAP CONNECTOR | | |
| - | 993761020F | EXPANSION VALVE NSF | | |
| - | 911990020 | BOILER 2GR | | |
| | ≅ 911990010 | BOILER 2 GR | | |
| - | 911982010 | BOILER 2 GR | | |
| - | 911991010 | BOILER 3 GR | | |
| - | 911983010 | ASS. CALD. 3GR CLB NSF C/IMB. | | |
| - | 903995020 | WATER/STEAM VALVE | | |
| - | 911596010 | INJECTOR | | |
| - | 592040000F | CONNECTOR W/COUPLING 1/8 STAINLESS STEEL | | |
| - | 533895910 | 3-WAY SOLENOID VALVE 1/4 200V 50/60HZ D3 | | |
| - | 532501320R | S0 1/8 FASTENING SCREW | | |
| - | 911982020 | RUVECO BOILER 2GR | | |
| - | 911983020 | NSF BOILER 3GR | | |
| - | 532501810R | SERTO 1/8 CONNECTOR | | |
| - | 911991020 | BOILER 3GR | | |
| - | 911990020 | BOILER 2GR | | |
| - | 531494300 | METAL. COND. 10 uF DUCATI 416.33.27 | | |
| - | 418012045F | VALVOLINO CLB | | |
| - | 533902210 | 3-WAY/2-WAY SOLENOID VALVE NC VITON PAR | | |
| - | 533895810R | 3-WAY SOLENOID VALVE 1/4 220-240V 50HZ D | | |
| - | 533796510R | 2-WAY SCEM SOLENOID VALVE RUB.V208-230/6 | | |
| - | 533904810F | 2-WAY SOLENOID VALVE NC 220/240V 50/60Hz | | |
| - | 533904910F | 2-WAY SOLENOID VALVE NC 208-240V 60Hz VI | | |
| - | 533905010F | 2-WAY SOLENOID VALVE NC 200V VITON 1/8" | | |
| - | 418935040 | CHECK VALVE 3/8 - 1/8 | | |

TUBAZIONI - TUBES - PIPING
ROHRE - TUBOS- TUBOS

STYLEMA A



* Particolare venduto a mt. lineare
Article vendu au metre lineaire
Item sold per linear meter
Artikel wird am laufenden Meter verkauft
Particular vendido por metros lineares
Peça vendida por metro linear

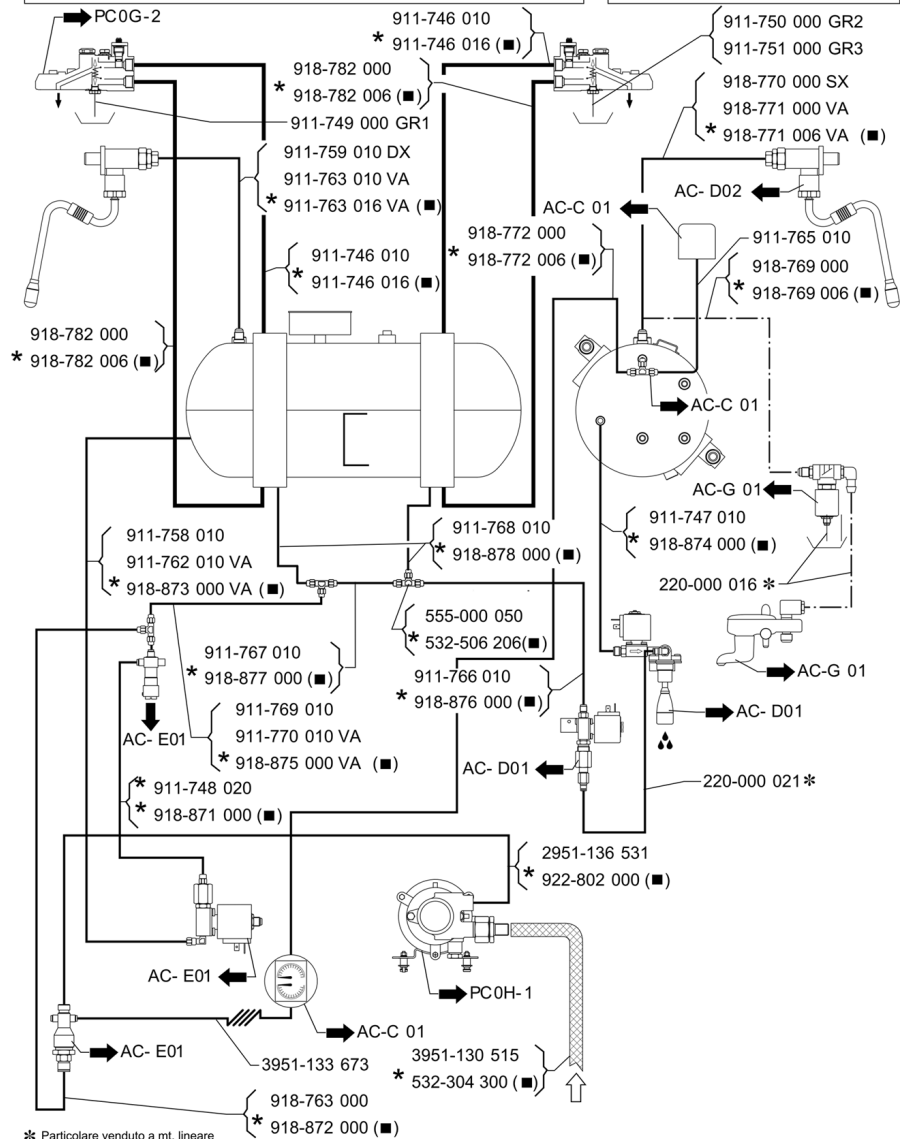
(■) For N.S.F.

| Pos | Part Number | Description | Validity | Notes |
|-----|-------------|---|----------|-------|
| - | 220000016 | SILICONE PIPE D 6X10 | | |
| - | 220000021 | TEFLON TUBE D 2,5X4 | | |
| - | 220000022 | RISLAN PIPE 4X6 | | |
| - | 2951136531 | VALVE BLOCK-PUMP TUBE | | |
| - | 3951130515 | PIPE 3/8X 3/8 120øMM 2200 | | |
| - | 3951132522 | FLOWMETER CONN. PIPE | | |
| - | 3951133673 | TUBE FOR GAUGE | | |
| - | 532304300 | PIPE 3/8 NF | | |
| - | 911746010 | BOILER TUBE-COFFEE GROUP | | |
| - | 911746016 | GROUP LINE TV NF | | |
| - | 911747010 | HOT WATER SV TUBE | | |
| - | 911748020 | AUTOLEVEL SOLEND.-EXPANSION VALVE PIPE | | |
| - | 911749000 | GR.RAIN PIPE | | |
| - | 911750000 | GR. DRAIN PIPE | | |
| - | 911751000 | GR3 RAIN PIPE | | |
| - | 911755010 | COLD WATER SV TUBE | | |
| - | 911755016 | FLOW METER-COLD WATER MIXER SOL.TUBE NF | | |
| - | 911756010 | VOLUM. COUNT.-EXCHANGER TUBE | | |
| - | 911756016 | FLOW METER-HEAT EXCHANG.TUBE NF | | |
| - | 911757010 | EXP.VALVE PIPE-FLOWMETER | | |
| - | 911758010 | TUBE FILL BOILER | | |
| - | 911759010 | RIGHT STEAM WAND TUBE | | |
| - | 911761010 | BLEED VALVE-VOLUM.COUNT. TUBE HV | | |
| - | 911761016 | FLOW METER TUBE-EXPANSION VALVE NF | | |
| - | 911762010 | BOILER LOAD TUBE HV | | |
| - | 911763010 | RH STEAM TUBE HV | | |
| - | 911763016 | BOILER-RIGHT STEAM WAND TUBE NF | | |
| - | 911765010 | PRESSURE SWITCH CONN. PIPE | | |
| - | 918763000 | RET.VALV.TUBE -EXPANS.VALVE | | |
| - | 918769000 | CAPPUCC.-AUTOSTEAM SV TUBE | | |
| - | 918769006 | BOILER-STEAM SOLENOID TUBE NF | | |
| - | 918770000 | LEFT STEAM WAND TUBE | | |
| - | 918771000 | LH STEAM TUBE HV | | |
| - | 918771006 | BOILER-LEFT STEAM WAND TUBE NF | | |
| - | 918772000 | COPPER TUBE | | |
| - | 918772006 | BOILER PIPE-GAUGE NF | | |
| - | 918782000 | COFFEE-BOILER GROUP TUBE | | |
| - | 918782006 | RETURN GROUP LINE TV NF | | |
| - | 918871000 | AUTOLEVEL SOLEND.-EXPANS.VALVE PIPE NF | | |
| - | 918872000 | VALVE BLOCK-EXPANSION VALVE TUBE NF | | |
| - | 918873000 | TUBE NF | | |
| - | 918874000 | BOILER OUTLET PIPE NF | | |
| - | 922802000 | VALVE BLOCK-PUMP TUBE NF | | |
| - | 922806008 | FLOWMETER CONN.PIPE NF | | |

| Pos | Part Number | Description | Validity | Notes |
|-----|-------------|------------------------|----------|-------|
| | ≡ 922806006 | FLOWMETER CONN.PIPE NF | | |

TUBAZIONI - TUBES - PIPING
ROHRE - TUBOS- TUBOS

STYLEMA S



* Particolare venduto a mt. lineare
Article vendu au metre lineaire
Item sold per linear meter
Artikel wird am laufenden Meter verkauft
Particular vendido por metros lineares
Peça vendida por metro linear

(■) For N.S.F.

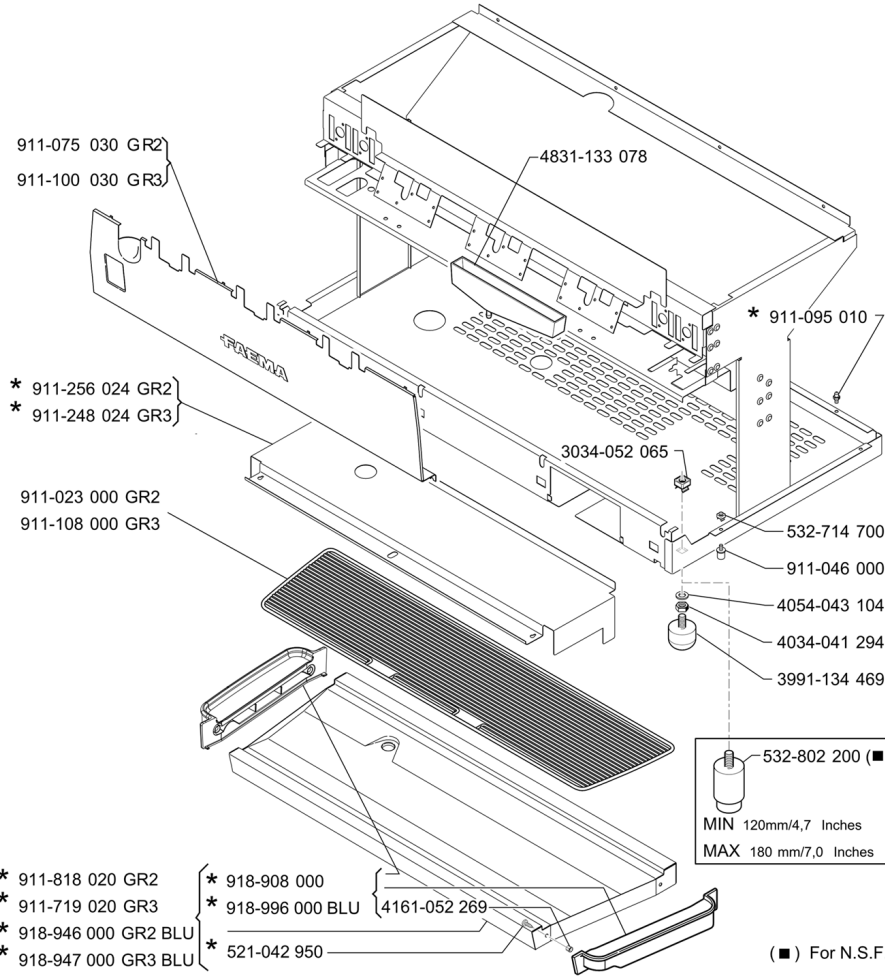
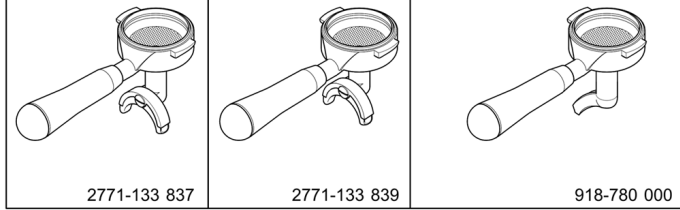
| | | | | |
|--|--|--|--|---------------------------|
| | Valido dalla matricola n.° | | 12-07 Edizione del Edition du Edition of Ausgabe vom Edition del | AC-A02 TAB. |
| | Validable à partir du matricule n.° | | | |
| | Valid from No. - Gültig ab der Abkenn.-N r. - Valido a partir de la matricola n.° | | | |
| | * Part ico la re nuo v o o mod ificato - Piéce nouveüe ou modifiée - New or modified part Neues oder geänertes teil - Particular nuevo o modificado | | | |

| Pos | Part Number | Description | Validity | Notes |
|-----|-------------|--|----------|-------|
| - | 220000016 | SILICONE PIPE D 6X10 | | |
| - | 220000021 | TEFLON TUBE D 2,5X4 | | |
| - | 2951136531 | VALVE BLOCK-PUMP TUBE | | |
| - | 3951130515 | PIPE 3/8X 3/8 120øMM 2200 | | |
| - | 3951133673 | TUBE FOR GAUGE | | |
| - | 532304300 | PIPE 3/8 NF | | |
| - | 555000050R | FITTING | | |
| | ⇒ 532506206 | CONNECTION | | |
| - | 555000050R | FITTING | | |
| | ⇒ 555000050 | FITTING | | |
| - | 911746010 | BOILER TUBE-COFFEE GROUP | | |
| - | 911746016 | GROUP LINE TV NF | | |
| - | 911747010 | HOT WATER SV TUBE | | |
| - | 911748020 | AUTOLEVEL SOLEND.-EXPANSION VALVE PIPE | | |
| - | 911749000 | GR.RAIN PIPE | | |
| - | 911750000 | GR. DRAIN PIPE | | |
| - | 911751000 | GR3 RAIN PIPE | | |
| - | 911758010 | TUBE FILL BOILER | | |
| - | 911759010 | RIGHT STEAM WAND TUBE | | |
| - | 911762010 | BOILER LOAD TUBE HV | | |
| - | 911763010 | RH STEAM TUBE HV | | |
| - | 911763016 | BOILER-RIGHT STEAM WAND TUBE NF | | |
| - | 911765010 | PRESSURE SWITCH CONN. PIPE | | |
| - | 911766010 | PIPE T UNION-WATER SOLEINOD VALVE | | |
| - | 911767010 | HEATING EXCHANGERS CONNECTING TUBE | | |
| - | 911768010 | HEAT EXCHANGER PIPE - UNION A T | | |
| - | 911769010 | EXPANSION VALVE PIPE | | |
| - | 911770010 | EXPANSION VALVE PIPE VA | | |
| - | 918763000 | RET.VALV.TUBE -EXPANS.VALVE | | |
| - | 918769000 | CAPPUCC.-AUTOSTEAM SV TUBE | | |
| - | 918769006 | BOILER-STEAM SOLENOID TUBE NF | | |
| - | 918770000 | LEFT STEAM WAND TUBE | | |
| - | 918771000 | LH STEAM TUBE HV | | |
| - | 918771006 | BOILER-LEFT STEAM WAND TUBE NF | | |
| - | 918772000 | COPPER TUBE | | |
| - | 918772006 | BOILER PIPE-GAUGE NF | | |
| - | 918782000 | COFFEE-BOILER GROUP TUBE | | |
| - | 918782006 | RETURN GROUP LINE TV NF | | |
| - | 918871000 | AUTOLEVEL SOLEND.-EXPANS.VALVE PIPE NF | | |
| - | 918872000 | VALVE BLOCK-EXPANSION VALVE TUBE NF | | |
| - | 918873000 | TUBE NF | | |
| - | 918874000 | BOILER OUTLET PIPE NF | | |
| - | 918875000 | EXPANSION VALVE PIPE VA NF | | |
| - | 918876000 | PIPE T UNION-WATER SOLEINOD VALVE NF | | |
| - | 918877000 | HEATING EXCHANGERS CONNECTING TUBE NF | | |

| Pos | Part Number | Description | Validity | Notes |
|-----|-------------|------------------------------------|----------|-------|
| - | 918878000 | HEAT EXCHANGER PIPE - UNION A T NF | | |
| - | 922802000 | VALVE BLOCK-PUMP TUBE NF | | |

CARROZZERIA - CARROSSERIE - HOOD
KARROSSERIE - CARROCERIA - ESTRUTURA

STYLEMA A/S



(■) For N.S.F.



Valido dalla matricola n.°
Valable à partir du matricule n.°
Valid from No. - Gültig ab der Abkenn.-N r. - Valido a partir de la matricula n.°

* Part ico la re nuo v o o mod ificato - Pièce nouvelle ou modifiée - New or modified part
Neues oder geändertes teil - Particular nuevo o modificado

12-07

Edizione del
Edition du
Edition of
Ausgabe vom
Edizione del

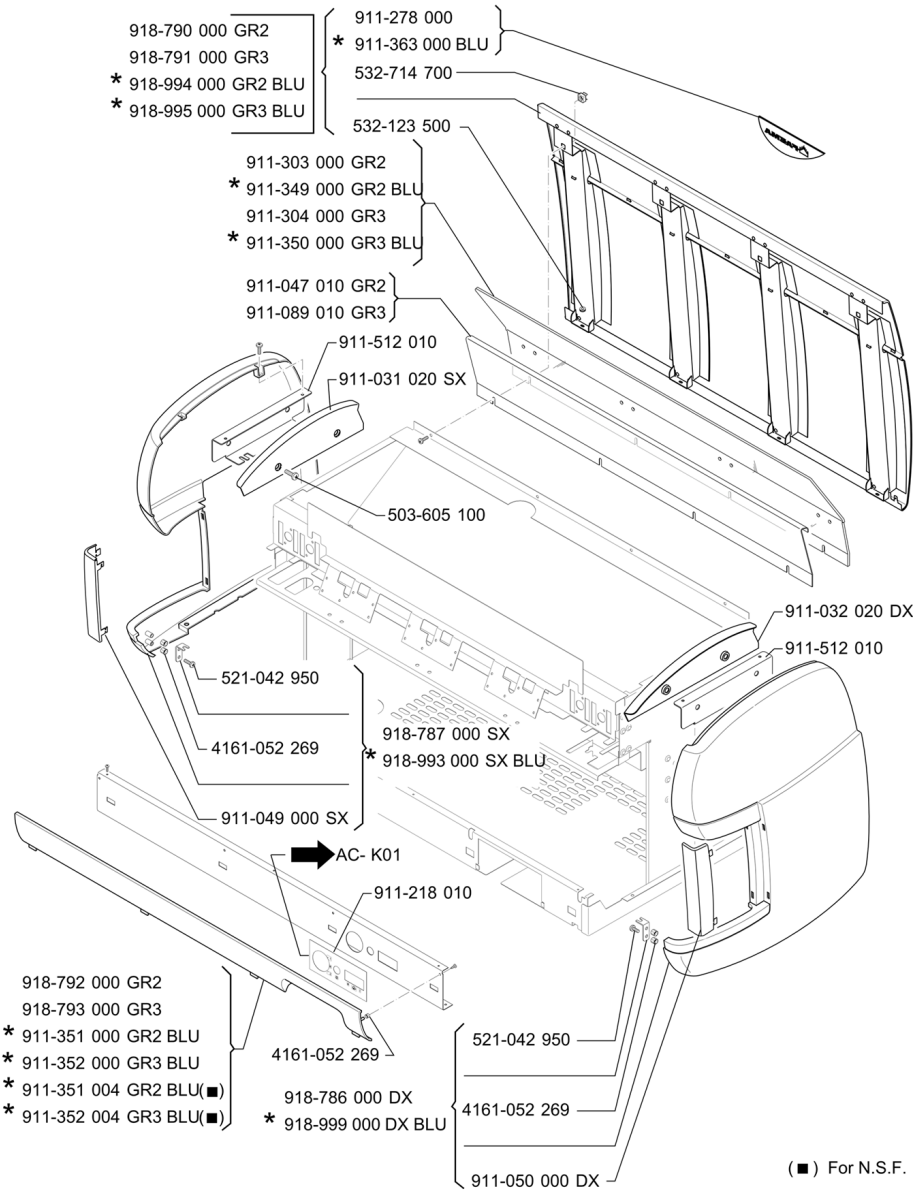
AC-B01

TAB.

| Pos | Part Number | Description | Validity | Notes |
|-----|--------------|--|----------|-------|
| - | 457888070 | 2-WAY (I) FILTER-HOLDER ASSY | | |
| | ⇒ 2771133837 | FILTERHOLDER 2 CUPS ITALY DIPL. | | |
| - | 457886070 | 2-WAY (E) FILTER-HOLDER ASSY | | |
| | ⇒ 2771133839 | FILTERHOLDER 2 CUPS FOREIGN DIPL. | | |
| - | 3034052065 | NUT M10 | | |
| - | 3991134469 | FOOT | | |
| - | 4034041294 | NUT | | |
| - | 4054043104 | WASHER | | |
| - | 4161052269 | CLIP | | |
| - | 4831133078 | DRAIN CONVEYOR | | |
| - | 521042950 | SCREW | | |
| - | 532714700 | M5 NUT | | |
| - | 532802210 | UL FOOT | | |
| | ⇒ 532802200 | UL FOOT | | |
| - | 911023000 | GR-2 CUP HOLDER GRILLE | | |
| - | 911046000 | SIDE PANEL FIX. PIN | | |
| - | 911075030 | FRONT PANEL 2GR | | |
| - | 911095010 | BACK PANEL PIVOT | | |
| - | 911100030 | FRONT PANEL 3GR | | |
| - | 911108000 | GR-3 CUP HOLDER GRILLE | | |
| - | 911248030 | COVER PLATE 3GR INOX | | |
| | ⇒ 911248024 | COVER PLATE 3GR | | |
| - | 911256030 | COVER PLATE 2GR INOX | | |
| | ⇒ 911256024 | COVER PLATE 2GR | | |
| - | 911719020 | CUP TRAY GR3 | | |
| - | 911818020 | CUP TRAY GR2 | | |
| - | 957709010 | 1 WAY FILTERHOLDER (FOREIGN) NSF LEFT SI | | |
| | ⇒ 918780000 | 1 WAY FILTERHOLDER | | |
| - | 918908000 | KIT TUBE DRIP TRAY | | |
| - | 918946000 | CUP TRAY GR2 BLU | | |
| - | 918947000 | CUP TRAY GR3 BLU | | |
| - | 918996000 | KIT TUBE DRIP TRAY BLUE | | |

CARROZZERIA - CARROSSERIE - HOOD
KARROSSERIE - CARROCERIA - ESTRUCTURA

STYLEMA A/S



(■) For N.S.F.



Valido dalla matricola n.°

Valable à partir du matricule n.°

Valid from No. - Gültig ab der Abkenn.-N r. - Valido a partir de la matricola n.°

* Part ico la re nuo vo o mod ificato - Pièce nouvelle ou modifiée - New or modified part
Neues oder geänertes teil - Particular nuevo o modificado

12 - 07

Edizione del
Edition du
Edition of
Ausgabe vom
Edición del

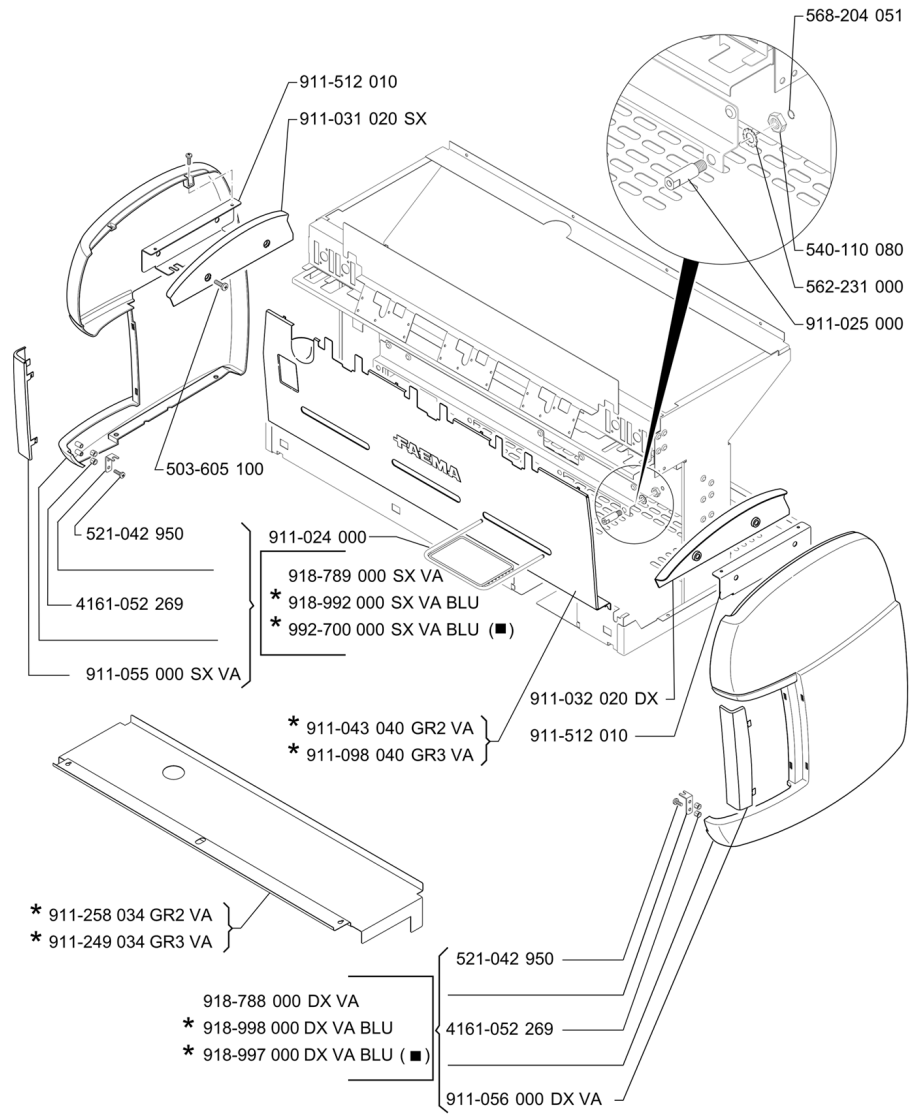
AC-B02

TAB.

| Pos | Part Number | Description | Validity | Notes |
|-----|-------------|----------------------------------|----------|-------|
| - | 4161052269 | CLIP | | |
| - | 503605100 | SCREW T.SV.M5X10 STAINLESS STEEL | | |
| - | 521042950 | SCREW | | |
| - | 532123500 | CABLE CLAMP | | |
| - | 532714700 | M5 NUT | | |
| - | 911031020 | INTERNAL PANEL SX E99 | | |
| - | 911032020 | INTERNAL PANEL DX E99 | | |
| - | 911047010 | GR-2 REAR PROFILE CUP-WARMER | | |
| - | 911049000 | SIDE PROTECTION LEFT | | |
| - | 911050000 | SIDE PROTECTION RIGHT | | |
| - | 911089010 | GR-3 REAR PROFILE CUP-WARMER | | |
| - | 911218010 | STICKER LABEL SWITCH | | |
| - | 911278000 | LOGO FAEMA | | |
| - | 911349000 | GLASS CASE (BACK) 2GR BLU | | |
| | ⇒ 911303000 | GR-2 REAR GLASS CABINET | | |
| - | 911304000 | MANCA LINGUA | | |
| - | 911349000 | GLASS CASE (BACK) 2GR BLU | | |
| - | 911350000 | GLASS CASE (BACK) 3GR BLU | | |
| - | 911351000 | FRONT BASE PANEL 2GR BLU | | |
| - | 911351004 | FRONT BASE PANEL 2GR BLU NF | | |
| - | 911352000 | FRONT BASE PANEL 3GR BLU | | |
| - | 911352004 | FRONT BASE PANEL 3GR BLU NF | | |
| - | 911363000 | FAEMA LABEL | | |
| - | 911512010 | BRACKET X SIDE PANEL | | |
| - | 918786000 | SIDE PANEL RIGHT | | |
| - | 918787000 | SIDE PANEL LEFT | | |
| - | 918790000 | GR-2 REAR PANEL W/PLATE | | |
| - | 918791000 | GR-3 REAR PANEL W/PLATE | | |
| - | 918792000 | FRONT BASE PANEL 2GR | | |
| - | 918793000 | FRONT BASE PANEL 3GR | | |
| - | 918993000 | SIDE PANEL LEFT BLUE | | |
| - | 918994000 | BACK PANEL WITH PLATE 2GR BLUE | | |
| - | 918995000 | BACK PANEL WITH PLATE 3GR BLUE | | |
| - | 918999000 | SIDE PANEL RIGHT BLUE | | |

CARROZZERIA - CARROSSERIE - HOOD
 KARROSSERIE - CARROCERIA - ESTRUTURA

STYLEMA A/S V.A.



(■) For N.S.F.

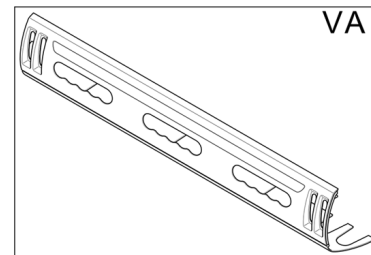
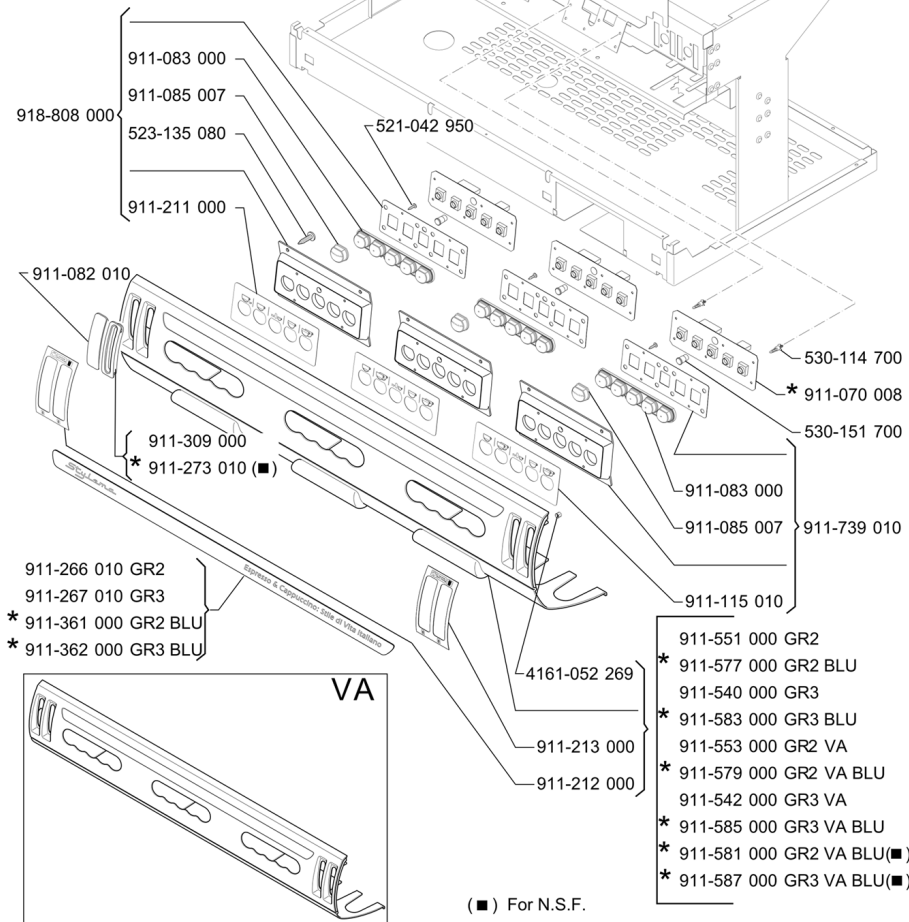
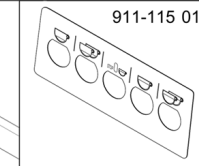
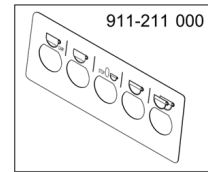
| Pos | Part Number | Description | Validity | Notes |
|-----|-------------|----------------------------------|----------|-------|
| - | 4161052269 | CLIP | | |
| - | 503605100 | SCREW T.SV.M5X10 STAINLESS STEEL | | |
| - | 521042950 | SCREW | | |
| - | 540110080 | NUT M10 S.S. | | |
| - | 562231000 | WASHER | | |
| - | 568204051 | RING | | |
| - | 911024000 | CUP HOLDER GRID HV | | |
| - | 927237000 | GRATED CUP TRAY GUIDE VA | | |
| | ⇒ 911025000 | GRATED CUP TRAY GUIDE VA | | |
| - | 911031020 | INTERNAL PANEL SX E99 | | |
| - | 911032020 | INTERNAL PANEL DX E99 | | |
| - | 911043040 | FRONT PANEL 2GR HIGH GLASSES | | |
| - | 911055000 | LEFT PANEL CLOSURE VA | | |
| - | 911056000 | RH SIDE PROTECTION HV | | |
| - | 911098040 | FRONT PANEL 3GR HIGH GLASSES | | |
| - | 911249040 | COVER PLATE 3GR INOX VA | | |
| | ⇒ 911249034 | COVER PLATE GR3 VA | | |
| - | 911258040 | COVER PLATE 2GR INOX VA | | |
| | ⇒ 911258034 | COVER PLATE 2GR VA | | |
| - | 911512010 | BRACKET X SIDE PANEL | | |
| - | 918788000 | SIDE PANEL RIGHT VA | | |
| - | 918789000 | SIDE PANEL LEFT VA | | |
| - | 918992000 | SIDE PANEL LEFT VA BLUE | | |
| - | 918997000 | SIDE PANEL RIGHT VA BLUE NF | | |
| - | 918998000 | SIDE PANEL RIGHT VA BLUE | | |
| - | 992700000 | SIDE PANEL LEFT VA BLUE NF | | |

PULSANTIERA PLATINE A BOUTOS
 PUSH BUTTON STRIPTASTATUR
 PLACA DA PULSADORES

STYLEMA A

911-115 010

- * 911-063 004 GR2
- * 911-087 004 GR3



(■) For N.S.F.

Valido dalla matricola n.*
 Valable à partir du matricule n.*
 Valid from No. - Gültig ab der Abkenn.-N r. - Valido a partir de la matricula n.*

* Part ico la re nuo vo o mod ificato - Piéce nouvelle ou modifiée - New or modified part
 Neues oder geänertes teil - Particular nuevo o modificado

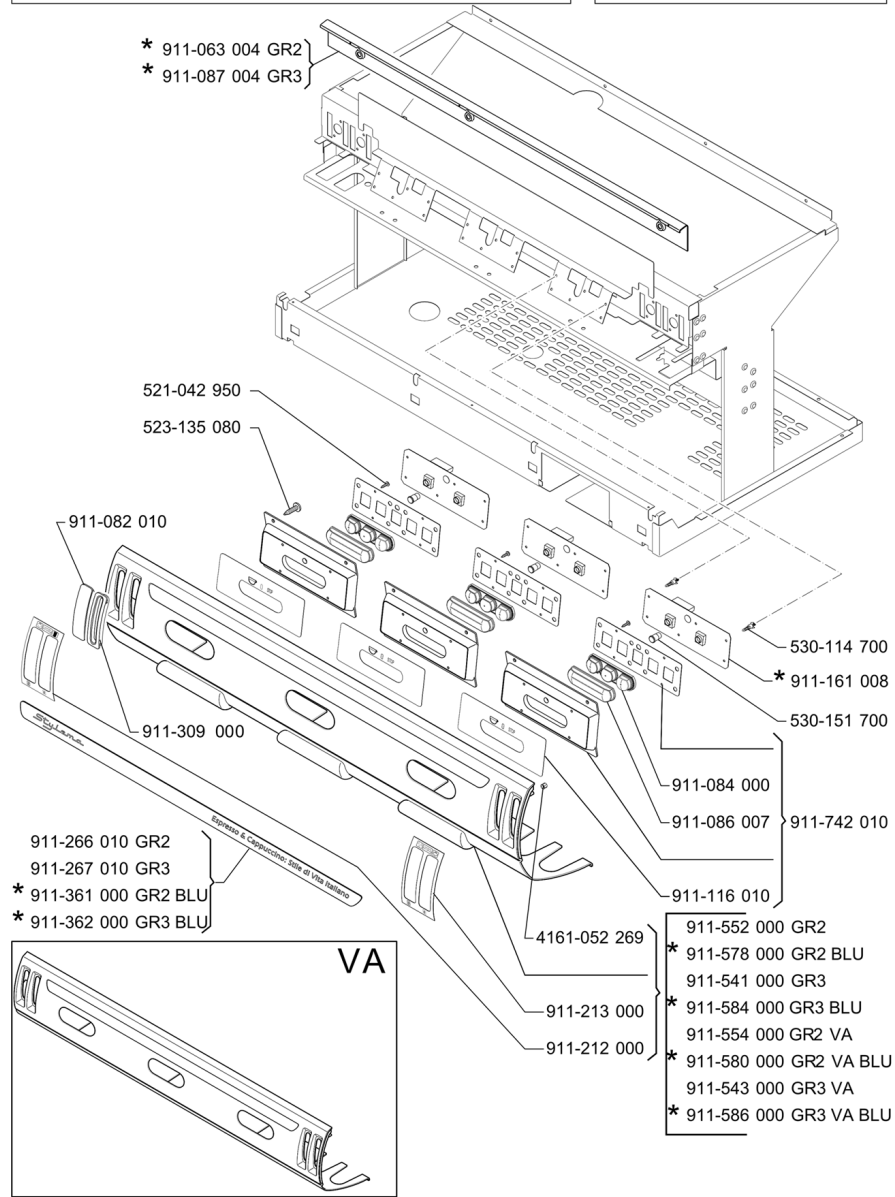
12 - 07
 Edizione del
 Edition du
 Ausgabe vom
 Edición del

AC-B04
 TAB.

| Pos | Part Number | Description | Validity | Notes |
|-----|-------------|-----------------------------------|----------|-------|
| - | 4161052269 | CLIP | | |
| - | 521042950 | SCREW | | |
| - | 523135080 | SCREW | | |
| - | 530114700 | NYLON SPACER H=9,5MM | | |
| - | 530151700 | TRANSPARENT LAMP COVER ø12MM | | |
| - | 911063004 | CUPWARMER FRONTAL PROFILE 2GR | | |
| - | 911070008 | AUTOM. COFFEE CONTROLS CARD | | |
| - | 911082010 | CONTROL PANEL MASK | | |
| - | 911083000 | PUSH BUTTON STRIP MEMBRANE A | | |
| - | 911085007 | BUTTON A | | |
| - | 911087004 | CUPWARMER FRONTAL PROFILE 3GR | | |
| - | 911115010 | PUSH BUTTON PLATE A | | |
| - | 911211000 | CAPPUCCINO SEECTION BADGE | | |
| - | 911212000 | LH STEAM/CAPP. PLATE | | |
| - | 911213000 | RH STEAM/WATER PLATE | | |
| - | 911266010 | STICKER STYLEMA GR2 | | |
| - | 911267010 | STICKER STYLEMA GR3 | | |
| - | 911273010 | BACK PANEL | | |
| - | 911273010 | BACK PANEL | | |
| | ⇌ 911309000 | BACK PANEL | | |
| - | 911361000 | STICKER STYLEMA GR2 BLU | | |
| - | 911362000 | STICKER STYLEMA GR3 BLU | | |
| - | 911540000 | PUSH BUTTON PANEL 3GR/A | | |
| - | 911542000 | PUSH BUTTON PANEL 3GR/A VA | | |
| - | 911551000 | PUSH BUTTON PANEL GR2/A | | |
| - | 911553000 | PUSH BUTTON PANEL GR2/A VA | | |
| - | 911577000 | PUSH BUTTON PANEL GR2/A BLU | | |
| - | 911579000 | PUSH BUTTON PANEL GR2/A VA BLU | | |
| - | 911581000 | PUSH BUTTON PANEL GR2/A VA BLU NF | | |
| - | 911583000 | PUSH BUTTON PANEL 3GR/A BLU | | |
| - | 911585000 | PUSH BUTTON PANEL 3GR/A VA BLU | | |
| - | 911587000 | PUSH BUTTON PANEL 3GR/A BLU NF | | |
| - | 911739010 | AUTOMATIC PUSH BUTTON | | |
| - | 918808000 | PUSH BUTTON STRIP | | |

PULSANTIERA PLATINE A BOUTOS
 PUSH BUTTON STRIPTASTATUR
 PLACA DA PULSADORES

STYLEMA S



Valido dalla matricola n.°

Valable à partir du matricule n.°

Valid from No. - Gültig ab der Abkenn.-N r. - Valido a partir de la matricula n.°

* Part ico la re nuo vo o mod ificato - Piéce nouvelle ou modifiée - New or modified part
 Neues oder geänertes teil - Particular nuevo o modificado

12 - 07

Edizione del
 Edition du
 Ausgabe vom
 Edition del

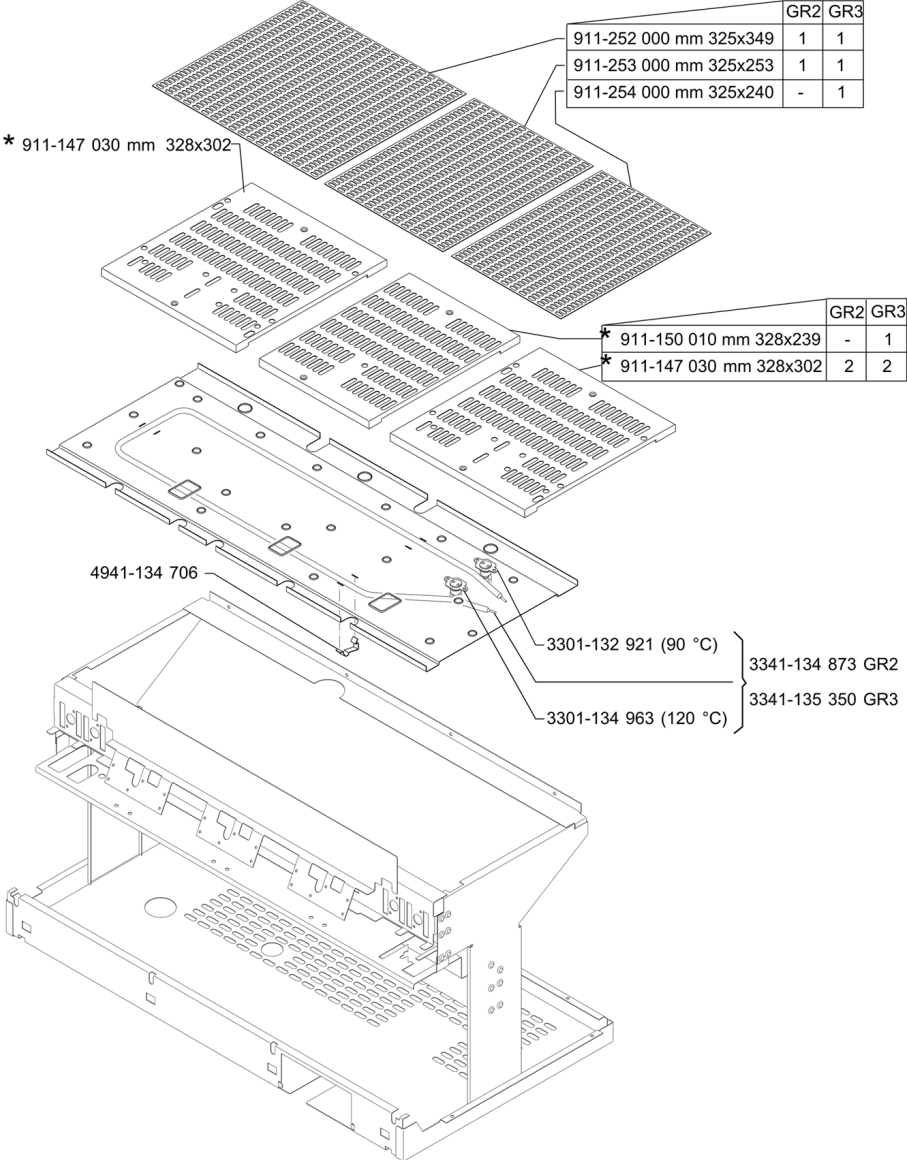
AC-B05

TAB.

| Pos | Part Number | Description | Validity | Notes |
|-----|-------------|------------------------------------|----------|-------|
| - | 4161052269 | CLIP | | |
| - | 521042950 | SCREW | | |
| - | 523135080 | SCREW | | |
| - | 530114700 | NYLON SPACER H=9,5MM | | |
| - | 530151700 | TRANSPARENT LAMP COVER ø12MM | | |
| - | 911063004 | CUPWARMER FRONTAL PROFILE 2GR | | |
| - | 911082010 | CONTROL PANEL MASK | | |
| - | 911084000 | PUSH BUTTON STRIP MEMBRANE S | | |
| - | 911086007 | BUTTON S | | |
| - | 911087004 | CUPWARMER FRONTAL PROFILE 3GR | | |
| - | 911116010 | PUSH BUTTON PLATE STYLEMA S | | |
| - | 911161008 | SEMI-AUTOM. COFFEE CTRL. CARD | | |
| - | 911212000 | LH STEAM/CAPP. PLATE | | |
| - | 911213000 | RH STEAM/WATER PLATE | | |
| - | 911266010 | STICKER STYLEMA GR2 | | |
| - | 911267010 | STICKER STYLEMA GR3 | | |
| - | 911273010 | BACK PANEL | | |
| | ⇒ 911309000 | BACK PANEL | | |
| - | 911361000 | STICKER STYLEMA GR2 BLU | | |
| - | 911362000 | STICKER STYLEMA GR3 BLU | | |
| - | 911541000 | PUSH BUTTON PANEL 3GR/S | | |
| - | 911543000 | PUSH BUTTON PANEL 3GR/S VA | | |
| - | 911552000 | PUSH BUTTON PANEL GR2/S | | |
| - | 911554000 | PUSH BUTTON PANEL GR2/S VA | | |
| - | 911578000 | PUSH BUTTON PANEL GR2/S BLU | | |
| - | 911580000 | PUSH BUTTON PANEL GR2/S VA BLU | | |
| - | 911584000 | PUSH BUTTON PANEL 3GR/S BLU | | |
| - | 911586000 | PUSH BUTTON PANEL 3GR/S VA BLU | | |
| - | 911742010 | SEMI-AUTOMATIC PUSH BUTTON STYLEMA | | |

SCALDATAZZE CHAUFFE-TASSES
 CUPS-WARMER TÄSSENWARMER
 CALIENTATAZAS ESCALDA CHÁVENAS

STYLEMA A/S



Valido dalla matricola n.°
 Valable à partir du matricule n.°
 Valid from No. - Gültig ab der Abkenn.-N r. - Valido a partir de la matricula n.°

* Part ico la re nuo v o o mod ificato - Piéce nouvelle ou modifiée - New or modified part
 Neues oder geänertes teil - Particular nuevo o modificado

12 - 07

Edizione del
 Edition du
 Edition of
 Ausgabe vom
 Edición del

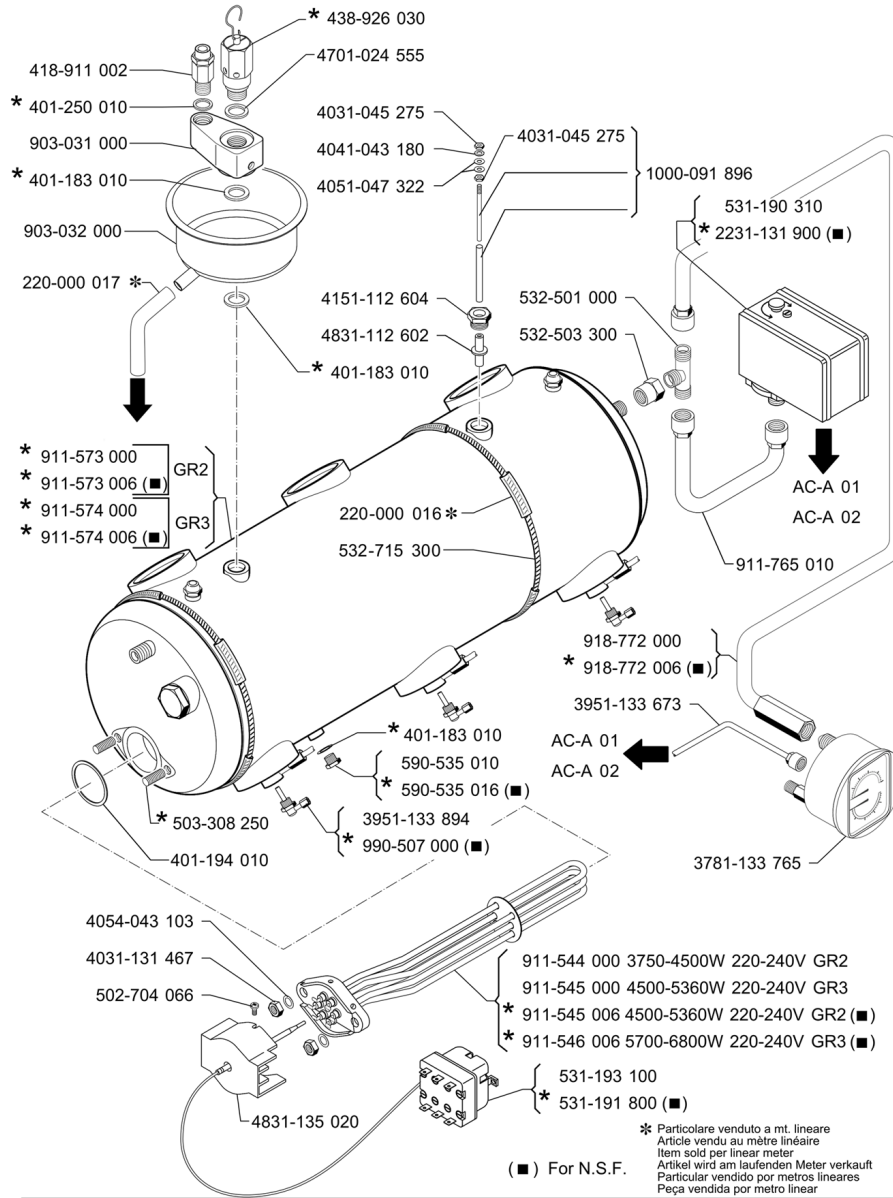
AC-B06

TAB.

| Pos | Part Number | Description | Validity | Notes |
|-----|-------------|-----------------------------------|----------|-------|
| - | 3301132921 | THERMOSTAT 100 °C | | |
| - | 3301134963 | THERMOSTAT 120 °C | | |
| - | 3341134873 | HEATING ELEMENT 220-240V 150-180W | | |
| - | 3341135350 | HEATING ELEMENT 220-240V 230-270W | | |
| - | 4941134706 | HEATING ELEM.BLOCKING SPRING | | |
| - | 911147030 | CUP WARMER GRILL 328X302 | | |
| - | 911150010 | CUP WARMER GRILL 328X239 | | |
| - | 911252000 | PLASTIC GRATE 325X349 | | |
| - | 911253000 | PLASTIC GRATE 325X253 | | |
| - | 911254000 | PLASTIC GRATE 325X240 | | |

CALDAIA - CHAUDIERE
BOILER - KESSEL
CALDERA - CALDEIRA

STYLEMA A/S



* Particolare venduto a mt. lineare
Article vendu au metre lineaire
Item sold per linear meter
Artikel wird am laufenden Meter verkauft
Particular vendido por metros lineares
Peça vendida por metro linear

(■) For N.S.F.



Valido dalla matricola n.*
Valable à partir du matricule n.*
Valid from No. - Gültig ab der Abkenn.-Nr. - Valido a partir de la matricula n.*

* Part ico la re nuo vo o mod ificato - Piéce nouvelle ou modifiée - New or modified part
Neues oder geänertes teil - Particular nuevo o modificado

12-07

Edizione del
Edition de
Edition of
Ausgabe vom
Edition del

AC-C01

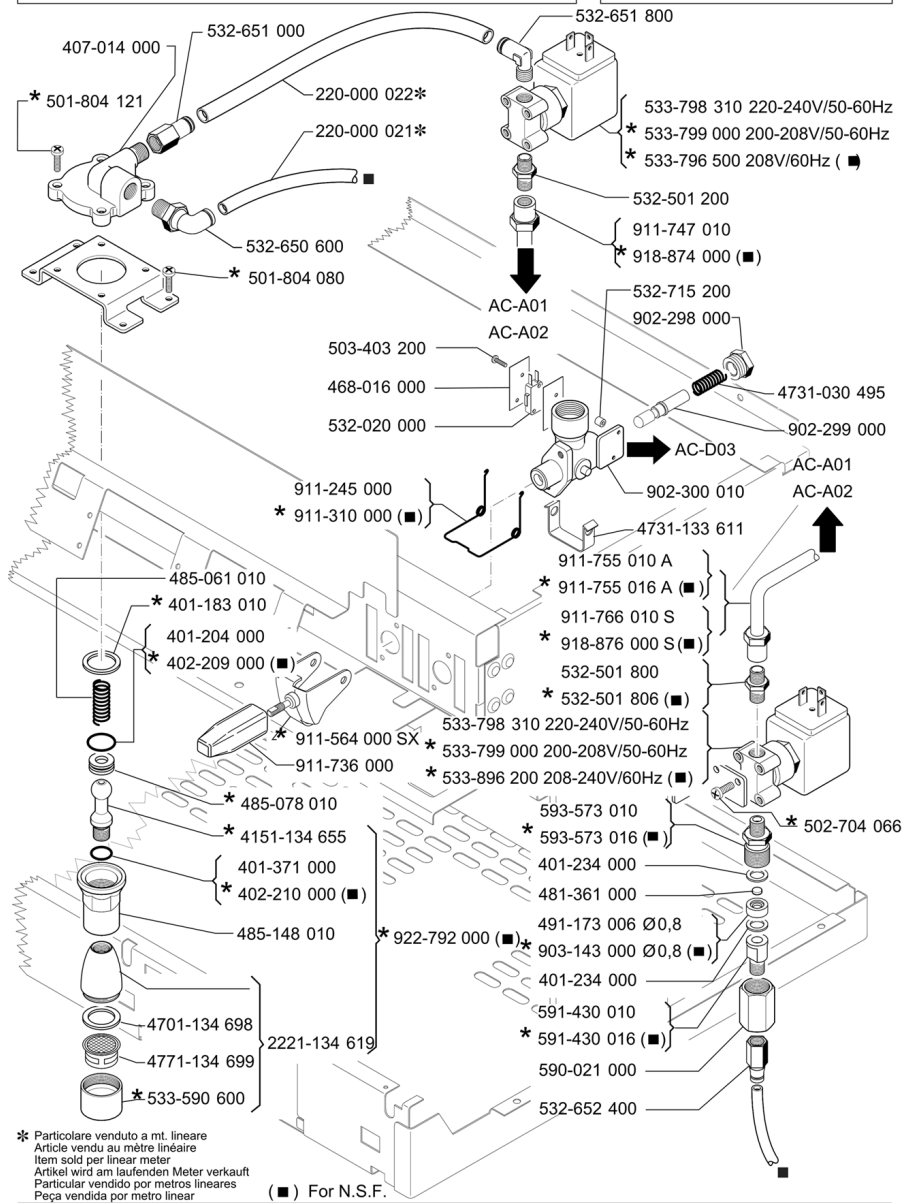
TAB.

| Pos | Part Number | Description | Validity | Notes |
|-----|--------------|--|----------|-------|
| - | 1000091896 | COMPLETE LEVEL PROBE 124MM | | |
| - | 220000016 | SILICONE PIPE D 6X10 | | |
| - | 220000017 | SILICONE PIPE D 10X15 | | |
| - | 531190310 | PRESSOSTAT | | |
| | ⇌ 2231131900 | PRESSURE SWITCH UL | | |
| - | 3781133765 | GAUGE DOUBLE DUE E97 | | |
| - | 3951133673 | TUBE FOR GAUGE | | |
| - | 911596010 | INJECTOR | | |
| | ⇌ 3951133894 | INJECTOR | | |
| - | 401183010 | GASKET 22X17X1,5 INLET VALVE | | |
| - | 401194010 | GASKET BOILER FLANGE | | |
| - | 401250010 | GASKET § 17,9X14,2X1,5 | | |
| - | 4031045275 | NUT | | |
| - | 4031131467 | M8 RESISTANCE FASTENING NUT | | |
| - | 4041043180 | WASHER ø 3,1 | | |
| - | 4051047322 | FLAT WASHER 3,2X0,5 TAB.36/2 | | |
| - | 4054043103 | WASHER | | |
| - | 4151112604 | PROBE PLUG | | |
| - | 438926030 | SAFETY VALVE 2,0 | | |
| - | 4701024555 | GASKET | | |
| - | 4831112602 | BEARING | | |
| - | 4831135020 | PROTECTION HEATING ELEMENT | | |
| - | 502704066 | 4X6 TCTC S.S. SCREW | | |
| - | 503308250 | S.S. M8X25 BOLD | | |
| - | 531190310 | PRESSOSTAT | | |
| - | 531191800 | SAFETY THERMOSTAT U.L. | | |
| - | 531193100 | SAFETY THERMOSTAT | | |
| - | 532501000R | T - FITTING | | |
| | ⇌ 532501000 | T - FITTING | | |
| - | 532503300R | UNION | | |
| | ⇌ 532503300 | UNION | | |
| - | 532715310 | STAINLESS STEEL CLAMP 730x7.96x0.28MM | | |
| | ⇌ 532715300 | HOSE CLAMP | | |
| - | 537055300 | ANTI-WHIRLPOOL VALVE KIT | | |
| | ⇌ 537040300 | VACUUM VALVE | | |
| - | 457364000 | PLUG 3/8 | | |
| | ⇌ 590535010 | PLUG 3/8 | | |
| - | 457364000 | PLUG 3/8 | | |
| | ⇌ 590535016 | PLUG 3/8 NF | | |
| - | 903031000 | SAFETY AND VACUUM VALVE GROUP | | |
| - | 915241010 | SAFETY VALVE DRAIN | | |
| | ⇌ 903032000 | SAFETY VALVE DRAIN | | |
| - | 911544020 | 220-240V 3750-4500W RESISTANCE | | |
| | ⇌ 911544000 | HEATING ELEMENT 3E 220-240V 3750 4500W | | |
| - | 911545020 | HEATING ELEMENT 220÷240V 4500÷5360W | | |

| Pos | Part Number | Description | Validity | Notes |
|-----|-------------|---|----------|-------|
| | ⇄ 911545000 | RESIST.3E.220-240V 4500-5360W | | |
| - | 911545028 | 220-240V 4500-5360W RESISTANCE W/ RUVECO | | |
| | ⇄ 911545006 | HEATING ELEMENT 3E 220-240V 4500-5360W | | |
| - | 911546028 | 220-240V 5700-6800W RESISTANCE W/ RUVECO | | |
| | ⇄ 911546006 | HEATING ELEMENT 3EL.220-240V 5700-6800W | | |
| - | 911990020 | BOILER 2GR | | |
| | ⇄ 911573000 | BOILER GR2 | | |
| - | 911982000 | 2GR BOILER ASS. W/RUVECO | | |
| | ⇄ 911573006 | BOILER GR2 NF | | |
| - | 911991010 | BOILER 3 GR | | |
| | ⇄ 911574000 | BOILER GR3 | | |
| - | 911983000 | 3GR BOILER ASS. W/RUVECO | | |
| | ⇄ 911574006 | BOILER GR3 NF | | |
| - | 911765010 | PRESSURE SWITCH CONN. PIPE | | |
| - | 918772000 | COPPER TUBE | | |
| - | 918772006 | BOILER PIPE-GAUGE NF | | |
| - | 911596010 | INJECTOR | | |
| | ⇄ 990507000 | INJECTOR NF | | |

RUBINETTI ROBINETES
COCKS - HAEHNE
GRIFOS - TORNEIRA

STYLEMA A/S



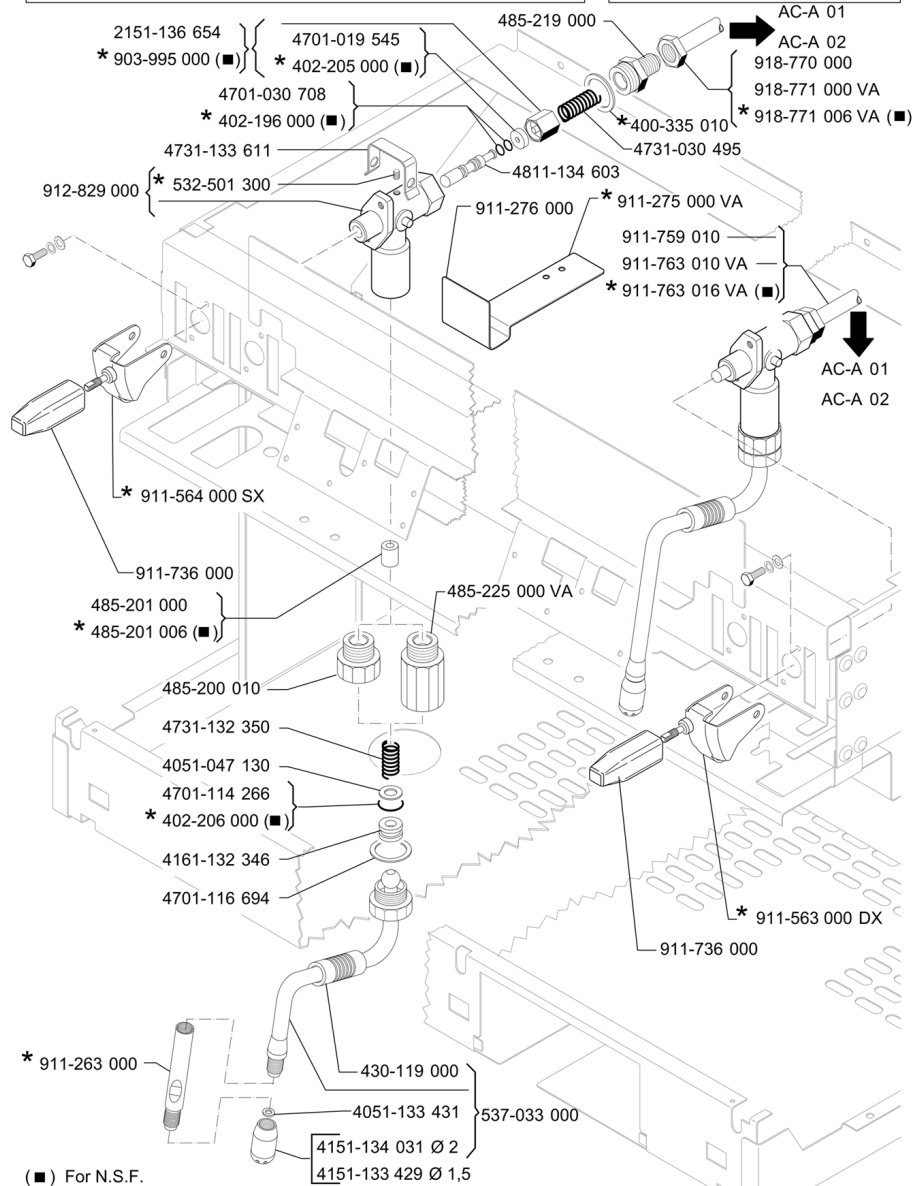
* Particolare venduto a mt. lineare
Article vendu au mètre linéaire
Item sold per linear meter
Artikel wird am laufenden Meter verkauft
Particular vendido por metros lineares
Peça vendida por metro linear (■) For N.S.F.

| Pos | Part Number | Description | Validity | Notes |
|-----|--------------|--------------------------------|----------|-------|
| - | 220000021 | TEFLON TUBE D 2,5X4 | | |
| - | 220000022 | RISLAN PIPE 4X6 | | |
| - | 985717000 | WATER WAND | | |
| | ⇌ 2221134619 | WATER WAND | | |
| - | 401183010 | GASKET 22X17X1,5 INLET VALVE | | |
| - | 401204000 | GASKET | | |
| - | 401234000 | GASKET COPPER | | |
| - | 401371000 | GASKET 6,75 X 1,78 | | |
| - | 402209000 | O-RING GASKET 10,82X1,78 NF | | |
| - | 402210000 | O-RING GASKET 6,75 X 1,78 NF | | |
| - | 457389005F | WATER MIXER BODY | | |
| | ⇌ 407014000 | WATER ECONOMIZER SUPPORT | | |
| - | 4151134655 | FITTING SPOUT STAIN LESS STEEL | | |
| - | 468016000 | PLATE | | |
| - | 402320000F | 21X15X2 NSF SEAL | | |
| | ⇌ 4701134698 | GASKET | | |
| - | 4731030495 | SPRING | | |
| - | 4731133611 | CLAMP | | |
| - | 532305000 | FILTER | | |
| | ⇌ 4771134699 | FILTER | | |
| - | 481361000 | FILTER WITH HOLDER 9X1.5 INOX | | |
| - | 485061010 | STAIN LESS STEEL SPRING | | |
| - | 485078010 | GASKET | | |
| - | 485148010 | RING NUT | | |
| - | 937108000F | JET NOZZLE Ø 0.8 | | |
| | ⇌ 491173006 | JET 0,8MM. | | |
| - | 501804080 | TRIPLE SCREW | | |
| - | 501804121 | 4X12 TCTC SCREW | | |
| - | 502704066 | 4X6 TCTC S.S. SCREW | | |
| - | 503403200 | S.S. T.C.T.CR.M3X20 SCREW | | |
| - | 532020000 | MICROSWITCH | | |
| - | 532501200R | FITTING 1/4 X 1/8 | | |
| | ⇌ 532501200 | FITTING 1/4 X 1/8 | | |
| - | 532501810R | SERTO 1/8 CONNECTOR | | |
| | ⇌ 532501800 | FITTING 1/8 X 1/8 | | |
| - | 532501810R | SERTO 1/8 CONNECTOR | | |
| | ⇌ 532501806 | CONNECTION | | |
| - | 532650600 | UNION FOR PIPE 4MM | | |
| - | 532651000 | FAST UNION D.6 | | |
| - | 532651800 | FAST UNION D.6 | | |
| - | 532652400 | RAPID UNION FOR TUBE 4-1/8F | | |
| - | 532715200 | SPACER | | |
| - | 985716020F | M22X1 JET BREAKER | | |
| | ⇌ 533590600 | JET BREAKER M22X1 NF | | |
| - | 533796500R | SOLENOID VALVE 2R UL 208/60 | | |

| Pos | Part Number | Description | Validity | Notes |
|-----|-------------|--|----------|-------|
| | ⇌ 533796500 | SOLENOID VALVE 2R UL 208/60 | | |
| - | 533904800F | VITON 1/8" 220/240 V 50/60 Hz EV 2 VIE N | | |
| | ⇌ 533798310 | SOLENOID VALVE U.L. | | |
| - | 533799000R | SOLENOID 2G 200-208/50-60 LU | | |
| | ⇌ 533799000 | SOLENOID 2G 200-208/50-60 LU | | |
| - | 533904900F | VITON 1/8" 208/240 V 60 Hz EV 2 VIE NC | | |
| | ⇌ 533896200 | SOLENOID VALVE 208-240/60 NF | | |
| - | 590021000 | FITTING 3/8 GAS BRASS | | |
| - | 591430018 | FITTING INJECTOR | | |
| | ⇌ 591430010 | FITTING INJECTOR | | |
| - | 591430018 | FITTING INJECTOR | | |
| | ⇌ 591430016 | UNION | | |
| - | 593573018 | CONNECTOR | | |
| | ⇌ 593573010 | CONNECTOR | | |
| - | 593573018 | CONNECTOR | | |
| | ⇌ 593573016 | CONNECTOR NF | | |
| - | 902298000 | UNION | | |
| - | 902299000 | PIN | | |
| - | 902300010 | SELECTION SHAFT BODY | | |
| - | 937108000F | JET NOZZLE Ø 0.8 | | |
| | ⇌ 903143000 | JET 0,8MM. INOX | | |
| - | 911310000 | SPRING | | |
| | ⇌ 911245000 | SPRING | | |
| - | 911310000 | SPRING | | |
| - | 911564010 | TAP LEVER LEFT | | |
| | ⇌ 911564000 | TAP LEVER LEFT | | |
| - | 930020010 | STEAM TAP HANDLE SMART R | | |
| | ⇌ 911736000 | KNOB | | |
| - | 911747010 | HOT WATER SV TUBE | | |
| - | 911755010 | COLD WATER SV TUBE | | |
| - | 911755016 | FLOW METER-COLD WATER MIXER SOL.TUBE NF | | |
| - | 911766010 | PIPE T UNION-WATER SOLEINOD VALVE | | |
| - | 918874000 | BOILER OUTLET PIPE NF | | |
| - | 918876000 | PIPE T UNION-WATER SOLEINOD VALVE NF | | |
| - | 936960020F | WATER WAND ASSEMBLY W/PLASTIC CAP | | |
| | ⇌ 922792000 | WATER SPOUT STAIN LESS STEEL | | |

RUBINETTI ROBINETTES
COCKS - HÄHNNE
GRIFOS - TORNEIRA

STYLEMA A/S



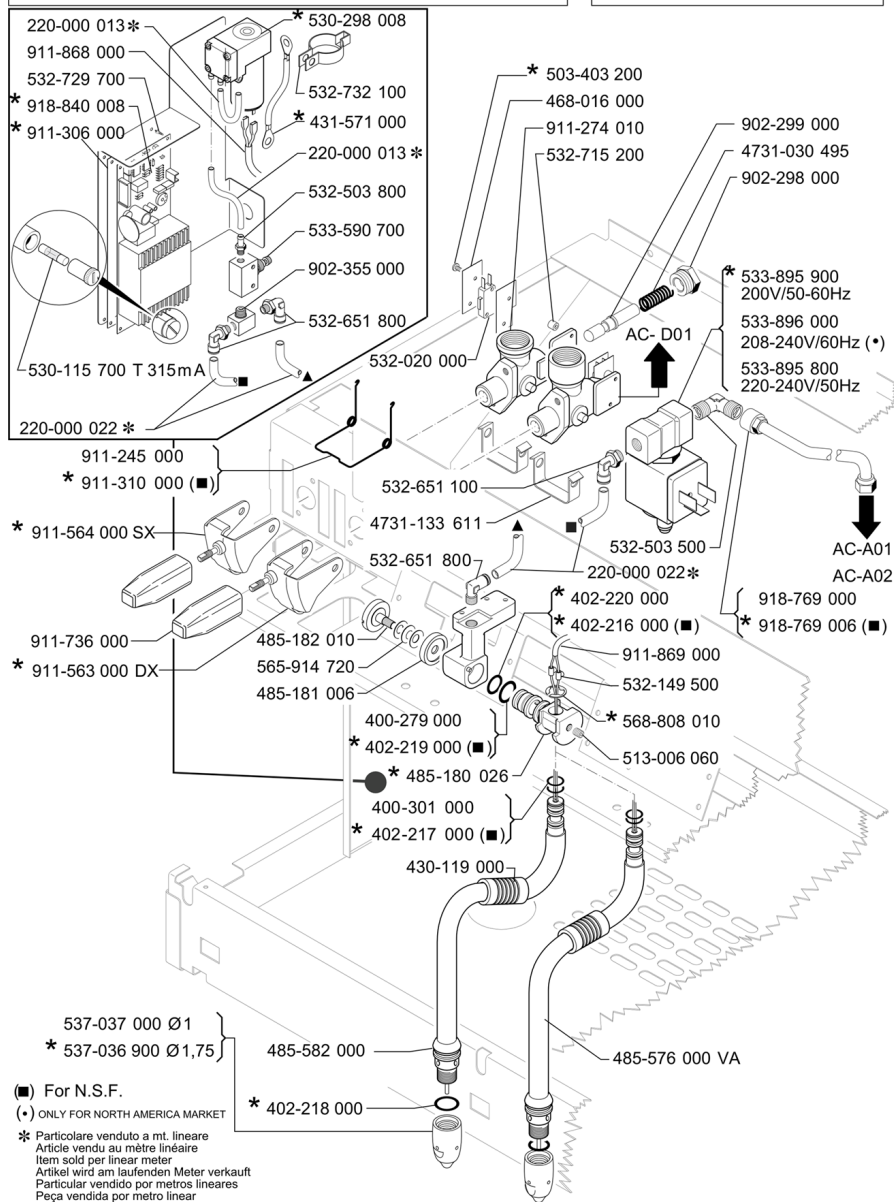
(■) For N.S.F.

| Pos | Part Number | Description | Validity | Notes |
|-----|--------------|------------------------------------|----------|-------|
| - | 903995020 | WATER/STEAM VALVE | | |
| | ⇌ 2151136654 | WATER AND STEAM VALVE | | |
| - | 400335010 | GASKET 21X24,5X1,5 | | |
| - | 402196000 | O-RING 4,20X1,90 | | |
| - | 402205000 | GASKET NF | | |
| - | 402206000 | GASKET | | |
| - | 4051047130 | WASHER FLAT | | |
| - | 4051133431 | WASHER FOR STEAMWAND | | |
| - | 485327000 | VAPORISER TERMINAL DIAMETER 1.5 | | |
| | ⇌ 4151133429 | STEAM NOZZLE | | |
| - | 485328000 | VAPORISER TERMINAL DIAMETER 2 | | |
| | ⇌ 4151134031 | STEAM NOZZLE | | |
| - | 4161132346 | BUSH IN TEFLON | | |
| - | 430119010 | SLEEVE | | |
| | ⇌ 430119000 | MANIFOLD | | |
| - | 402205000 | GASKET NF | | |
| | ⇌ 4701019545 | GASKET | | |
| - | 4701030708 | O-RING 4,20X1,90 | | |
| - | 402206000 | GASKET | | |
| | ⇌ 4701114266 | GASKET | | |
| - | 4701116694 | GASKET | | |
| - | 4731030495 | SPRING | | |
| - | 4731132350 | SPRING STEAM WAND | | |
| - | 4731133611 | CLAMP | | |
| - | 930067000 | TAP VALVE BASE NF | | |
| | ⇌ 4811134603 | TAP VALVE BASE | | |
| - | 485200038 | COVER FOR STEAM TUBE CONFIGURATION | | |
| | ⇌ 485200010 | S/S UNION | | |
| - | 485201008 | BRASS SPACER §14.9X13 | | |
| | ⇌ 485201000 | BRASS SPACER §14.9X13 | | |
| - | 485201008 | BRASS SPACER §14.9X13 | | |
| | ⇌ 485201006 | BRASS SPACER ø14.9X13 NF | | |
| - | 457486005F | TAP CONNECTOR | | |
| | ⇌ 485219000 | UNION | | |
| - | 485225018 | FITTING | | |
| | ⇌ 485225000 | FITTING | | |
| - | 532501300R | SCREW SO-40371-1/8 | | |
| | ⇌ 532501300 | SCREW SO-40371-1/8 | | |
| - | 537033010 | STEAM WAND §2,0 | | |
| | ⇌ 537033000 | STEAM WAND | | |
| - | 903995020 | WATER/STEAM VALVE | | |
| | ⇌ 903995000 | WATER AND STEAM VALVE | | |
| - | 911263000 | S/S STEAM PIPE EXTENSION | | |
| - | 911275000 | PLATE | | |
| - | 911276000 | PLATE | | |

| Pos | Part Number | Description | Validity | Notes |
|-----|-------------|---------------------------------|----------|-------|
| - | 911563010 | RIGHT TAP LEVER | | |
| | ⇌ 911563000 | RIGHT TAP LEVER | | |
| - | 911564010 | TAP LEVER LEFT | | |
| | ⇌ 911564000 | TAP LEVER LEFT | | |
| - | 930020010 | STEAM TAP HANDLE SMART R | | |
| | ⇌ 911736000 | KNOB | | |
| - | 911759010 | RIGHT STEAM WAND TUBE | | |
| - | 911763010 | RH STEAM TUBE HV | | |
| - | 911763016 | BOILER-RIGHT STEAM WAND TUBE NF | | |
| - | 918770000 | LEFT STEAM WAND TUBE | | |
| - | 918771000 | LH STEAM TUBE HV | | |
| - | 918771006 | BOILER-LEFT STEAM WAND TUBE NF | | |
| - | 912829010 | BODY FAUCET | | |
| | ⇌ 912829000 | BODY FAUCET | | |

AUTOSTEAM

STYLEMA A/S



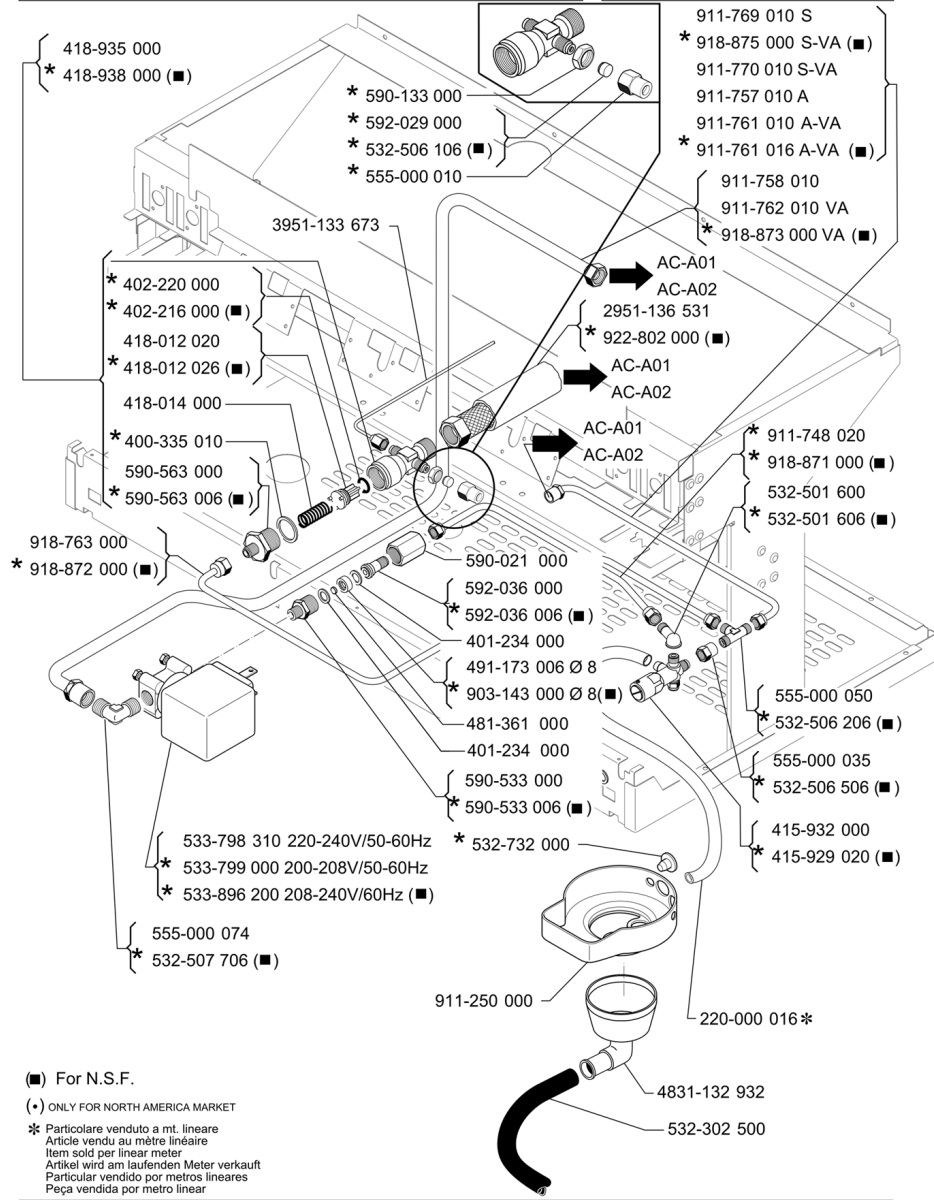
(■) For N.S.F.
 (*) ONLY FOR NORTH AMERICA MARKET
 * Particolare venduto a mt. lineare
 Article vendu au metre lineaire
 Item sold per linear meter
 Artikel wird am laufenden Meter verkauft
 Particular vendido por metros lineares
 Peça vendida por metro linear

| Pos | Part Number | Description | Validity | Notes |
|-----|-------------|---|----------|-------|
| - | 220000013 | SILICONE PIPE D 3X6 | | |
| - | 220000022 | RISLAN PIPE 4X6 | | |
| - | 400279000 | O-RING 113 | | |
| - | 400301000 | GASKET | | |
| - | 402216000 | O-RING 9,13 X 2,62 | | |
| - | 402217000 | GASKET 8,73X1,78 NF | | |
| - | 402218000 | GASKET 14X1.78 NF | | |
| - | 402219000 | O-RING 10,78X2,62 NF | | |
| - | 402220000 | O-RING 9,13X2,62 | | |
| - | 430119010 | SLEEVE | | |
| | ⇒ 430119000 | MANIFOLD | | |
| - | 431571000 | MASS CABLE | | |
| - | 468016000 | PLATE | | |
| - | 4731030495 | SPRING | | |
| - | 4731133611 | CLAMP | | |
| - | 485180026 | ARTICULATION | | |
| - | 485181006 | WASHER | | |
| - | 485182010 | SCREW | | |
| - | 485576020 | STEAM WAND WITH THERMOCOUPLE V.A. | | |
| | ⇒ 485576000 | STEAM WAND WITH THERMOCOUPLE V.A. | | |
| - | 485582020 | SHORT STEAM WAND WITH THERMOCOUPLE | | |
| | ⇒ 485582000 | SHORT STEAM WAND WITH THERMOCOUPLE | | |
| - | 503403200 | S.S. T.C.T.CR.M3X20 SCREW | | |
| - | 530118700 | DELAYED FUSE Ø5X20 125mA (ST520112) | | |
| | ⇒ 530115700 | FUSE 5X20 0,315A | | |
| - | 938897000 | 24 "TURBOSTEAM" COMPRESSOR | | |
| | ⇒ 530298008 | 24 "TURBOSTEAM" COMPRESSOR | | |
| - | 532020000 | MICROSWITCH | | |
| - | 532149500 | TERMINAL | | |
| - | 532503500R | 1/4-1/4 UNION | | |
| | ⇒ 532503500 | 1/4-1/4 UNION | | |
| - | 532503800 | 1/8 GAS UNION | | |
| - | 532651100 | UNION 90 6MM PIPE | | |
| - | 532651800 | FAST UNION D.6 | | |
| - | 532715200 | SPACER | | |
| - | 532729700 | BOARD SUPPORT | | |
| - | 532732100 | CLAMP | | |
| - | 533590700 | AIR VALVE | | |
| - | 533895800R | SOLENOID VALVE 3G DIAM.3 1/4 220-240/50 | | |
| | ⇒ 533895800 | SOLENOID VALVE 3G DIAM.3 1/4 220-240/50 | | |
| - | 533895918 | SOLENOID VALVE 3G DIAM.3 1/4 200/50-60 | | |
| | ⇒ 533895900 | SOLENOID VALVE 3G DIAM.3 1/4 200/50-60 | | |
| - | 533896000 | SOLENOID VALVE 3G D.3 1/4 208-240/60UL | | |
| - | 485206040 | STEAM OUTLET WITH THERMOCOUPLE ø1,75 | | |
| | ⇒ 537036900 | STEAM OUTLET WITH THERMOCOUPLE ø1,75 | | |

| Pos | Part Number | Description | Validity | Notes |
|-----|-------------|--------------------------------------|----------|-------|
| - | 485226050 | THERMOCOUPLE STEAM BULB | | |
| | ⇌ 537037000 | THERMOCOUPLE STEAM BULB | | |
| - | 565914720 | SPRING | | |
| - | 568808010 | RING | | |
| - | 902298000 | UNION | | |
| - | 902299000 | PIN | | |
| - | 902355000 | AUTOSTEAM BLOCK | | |
| - | 911310000 | SPRING | | |
| | ⇌ 911245000 | SPRING | | |
| - | 911274010 | SELECTION SHAFT BODY | | |
| - | 911306000 | ADHESIVE INSULATING 152X62 | | |
| - | 911310000 | SPRING | | |
| - | 911563010 | RIGHT TAP LEVER | | |
| | ⇌ 911563000 | RIGHT TAP LEVER | | |
| - | 911564010 | TAP LEVER LEFT | | |
| | ⇌ 911564000 | TAP LEVER LEFT | | |
| - | 930020010 | STEAM TAP HANDLE SMART R | | |
| | ⇌ 911736000 | KNOB | | |
| - | 911868000 | ELECTRICAL CABLE AUTOSTEAM | | |
| - | 911869000 | ELECTRICAL CABLE AUTOSTEAM | | |
| - | 918769000 | CAPPUCC.-AUTOSTEAM SV TUBE | | |
| - | 918769006 | BOILER-STEAM SOLENOID TUBE NF | | |
| - | 537060300 | AUTOSTEAM BOARD SPARE PARTS KIT | | |
| | ⇌ 918840008 | ELECTRONIC BOARD FOR AUTOMATIC STEAM | | |
| - | 513006060 | SCREW | | |

VALVOLE CON AUTOLIVELLO - VANNES AVEC ENTREE D'EAU AUTOM.
 VALVE WITH SELF LEVEL/ENTIL MIT AUTOM. WASSERSTAND
 VALVULAS CON AUTONIVEL

STYLEMA A/S



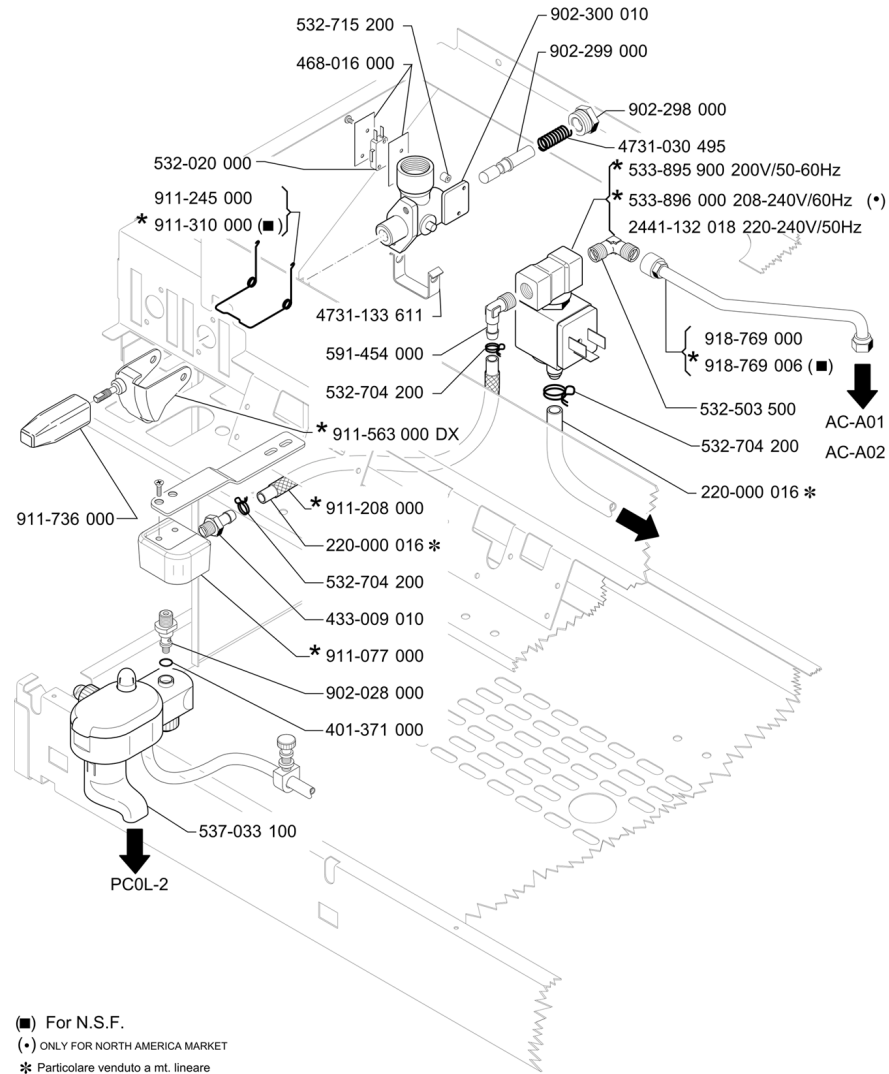
(■) For N.S.F.
 (*) ONLY FOR NORTH AMERICA MARKET
 * Particolare venduto a mt. lineare
 Article vendu au metre lineaire
 Item sold per linear meter
 Artikel wird am laufenden Meter verkauft
 Particular vendido por metros lineares
 Peça vendida por metro linear

| Pos | Part Number | Description | Validity | Notes |
|-----|-------------|--|----------|-------|
| - | 220000016 | SILICONE PIPE D 6X10 | | |
| - | 2951136531 | VALVE BLOCK-PUMP TUBE | | |
| - | 3951133673 | TUBE FOR GAUGE | | |
| - | 400335010 | GASKET 21X24,5X1,5 | | |
| - | 401234000 | GASKET COPPER | | |
| - | 402216000 | O-RING 9,13 X 2,62 | | |
| - | 402220000 | O-RING 9,13X2,62 | | |
| - | 993761000F | EXPANSION VALVE ASSEMBLY NSF | | |
| | ⇌ 415929020 | EXPANSION VALVE NF | | |
| - | 993761020F | EXPANSION VALVE NSF | | |
| | ⇌ 415932000 | EXPANSION VALVE | | |
| - | 418012045F | VALVOLINO CLB | | |
| | ⇌ 418012020 | SHORT VALVE | | |
| - | 418012045F | VALVOLINO CLB | | |
| | ⇌ 418012026 | CHECK VALVE | | |
| - | 418014000 | SPRING FOR VALVE | | |
| - | 418935030 | CHECK VALVE | | |
| | ⇌ 418935000 | CHECK VALVE | | |
| - | 993760000F | CHECK VALVE ASSEMBLY 3/8" - 1/8" | | |
| | ⇌ 418938000 | CHECK VALVE NF | | |
| - | 481361000 | FILTER WITH HOLDER 9X1.5 INOX | | |
| - | 4831132932 | DRAIN CONNECTION | | |
| - | 937108000F | JET NOZZLE Ø 0.8 | | |
| | ⇌ 491173006 | JET 0,8MM. | | |
| - | 532302500 | DRAIN PIPE | | |
| - | 532501600R | FITTING 1/8 F | | |
| | ⇌ 532501600 | FITTING 1/8 F | | |
| - | 532501600R | FITTING 1/8 F | | |
| | ⇌ 532501606 | ELBOW UNION | | |
| - | 592029000R | PIPE UNION BLIND | | |
| | ⇌ 532506106 | BLANK OLIVE 1/8 NF | | |
| - | 555000050R | FITTING | | |
| | ⇌ 532506206 | CONNECTION | | |
| - | 555000035R | FITTING | | |
| | ⇌ 532506506 | CONNECTION | | |
| - | 555000074R | FITTING | | |
| | ⇌ 532507706 | MALE ELBOW 1/8 X 1/4 NF | | |
| - | 532732000 | BLANK NUT | | |
| - | 533904800F | VITON 1/8" 220/240 V 50/60 Hz EV 2 VIE N | | |
| | ⇌ 533798310 | SOLENOID VALVE U.L. | | |
| - | 533799000R | SOLENOID 2G 200-208/50-60 LU | | |
| | ⇌ 533799000 | SOLENOID 2G 200-208/50-60 LU | | |
| - | 533904900F | VITON 1/8" 208/240 V 60 Hz EV 2 VIE NC | | |
| | ⇌ 533896200 | SOLENOID VALVE 208-240/60 NF | | |
| - | 555000010 | COVER | | |

| Pos | Part Number | Description | Validity | Notes |
|-----|-------------|--|----------|-------|
| - | 555000035R | FITTING | | |
| | ⇄ 555000035 | FITTING | | |
| - | 555000050R | FITTING | | |
| | ⇄ 555000050 | FITTING | | |
| - | 555000074R | FITTING | | |
| | ⇄ 555000074 | FITTING | | |
| - | 590021000 | FITTING 3/8 GAS BRASS | | |
| - | 590133000 | COUNTER NUT 1/8 | | |
| - | 590533008 | NIPPLES DOUBLE 3/8X1/8 | | |
| | ⇄ 590533000 | NIPPLES DOUBLE 3/8X1/8 | | |
| - | 590533008 | NIPPLES DOUBLE 3/8X1/8 | | |
| | ⇄ 590533006 | CONNECTION | | |
| - | 419084000 | NIPPLES DOUBLE 1/8 - 1/2 | | |
| | ⇄ 590563000 | NIPPLES DOUBLE 1/8 - 1/2 | | |
| - | 419084000 | NIPPLES DOUBLE 1/8 - 1/2 | | |
| | ⇄ 590563006 | CONNECTION | | |
| - | 592029000R | PIPE UNION BLIND | | |
| | ⇄ 592029000 | PIPE UNION BLIND | | |
| - | 592036018 | SPECIAL UNION RUV | | |
| | ⇄ 592036000 | PIPE UNION | | |
| - | 592036018 | SPECIAL UNION RUV | | |
| | ⇄ 592036006 | SPECIAL UNION NF | | |
| - | 937108000F | JET NOZZLE Ø 0.8 | | |
| | ⇄ 903143000 | JET 0,8MM. INOX | | |
| - | 911250000 | DRAIN UNION UPPER PART | | |
| - | 911748020 | AUTOLEVEL SOLEND.-EXPANSION VALVE PIPE | | |
| - | 911757010 | EXP.VALVE PIPE-FLOWMETER | | |
| - | 911758010 | TUBE FILL BOILER | | |
| - | 911761010 | BLEED VALVE-VOLUM.COUNT. TUBE HV | | |
| - | 911761016 | FLOW METER TUBE-EXPANSION VALVE NF | | |
| - | 911762010 | BOILER LOAD TUBE HV | | |
| - | 911769010 | EXPANSION VALVE PIPE | | |
| - | 911770010 | EXPANSION VALVE PIPE VA | | |
| - | 918763000 | RET.VALV.TUBE -EXPANS.VALVE | | |
| - | 918871000 | AUTOLEVEL SOLEND.-EXPANS.VALVE PIPE NF | | |
| - | 918872000 | VALVE BLOCK-EXPANSION VALVE TUBE NF | | |
| - | 918873000 | TUBE NF | | |
| - | 918875000 | EXPANSION VALVE PIPE VA NF | | |
| - | 922802000 | VALVE BLOCK-PUMP TUBE NF | | |

MONTALATTE -FOUETTE LAIT
MILKFROTHER MILCHAUFSCÄUMER
MONTALECHE -MONTALEITE

STYLEMA A/S



(■) For N.S.F.

(*) ONLY FOR NORTH AMERICA MARKET

* Particolare venduto a mt. lineare
Article vendu au metre lineaire
Item sold per linear meter
Artikel wird am laufenden Meter verkauft
Particular vendido por metros lineares
Peça vendida por metro linear

Valido dalla matricola n.°
Valable à partir du matricule n.°
Valid from No. - Gültig ab der Abkenn.-N r. - Valido a partir de la matricula n.°

* Part ico la re nuo vo o mod ificato - Pièce nouvelle ou modifiée - New or modified part
Neues oder geänertes teil - Particular nuevo o modificado

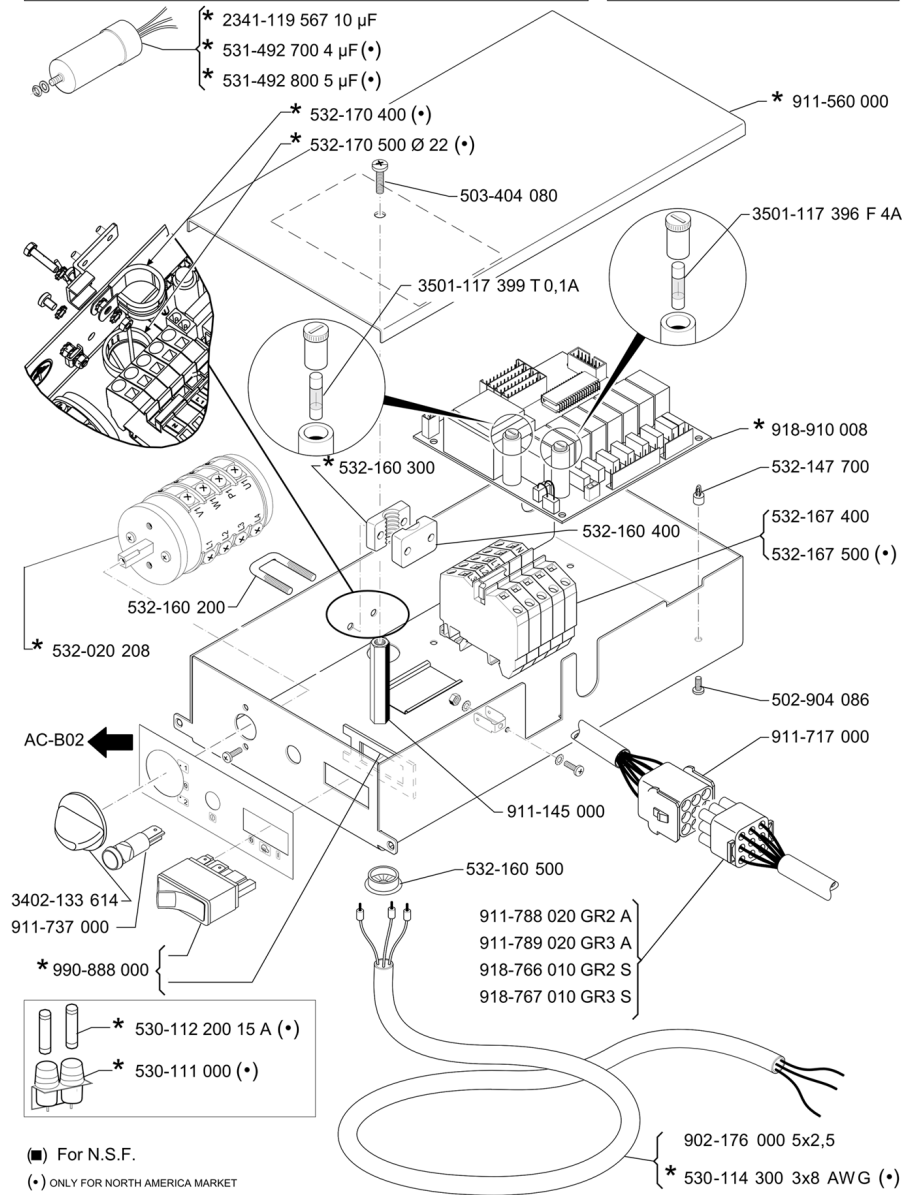
12 - 07
Edizione del
Edition du
Edition of
Ausgabe vom
Edición del

AC-G01
TAB.

| Pos | Part Number | Description | Validity | Notes |
|-----|--------------|---|----------|-------|
| - | 220000016 | SILICONE PIPE D 6X10 | | |
| - | 533894800R | SOLENOID VALVE 220 VOLT 50 HZ 3WAY | | |
| | ⇒ 2441132018 | SOLENOID VALVE 220 VOLT 50 HZ 3WAY | | |
| - | 401371000 | GASKET 6,75 X 1,78 | | |
| - | 433009010 | UNION 1/8 | | |
| - | 468016000 | PLATE | | |
| - | 4731030495 | SPRING | | |
| - | 4731133611 | CLAMP | | |
| - | 532020000 | MICROSWITCH | | |
| - | 532503500R | 1/4-1/4 UNION | | |
| | ⇒ 532503500 | 1/4-1/4 UNION | | |
| - | 532704200 | DOUBLE CABLE TIE-RAPS | | |
| - | 532715200 | SPACER | | |
| - | 533895918 | SOLENOID VALVE 3G DIAM.3 1/4 200/50-60 | | |
| | ⇒ 533895900 | SOLENOID VALVE 3G DIAM.3 1/4 200/50-60 | | |
| - | 533896000 | SOLENOID VALVE 3G D.3 1/4 208-240/60UL | | |
| - | 537033110 | NEW MILK FROTHER | | |
| | ⇒ 537033100 | MILK-FROTHER | | |
| - | 937037008 | ELBOW JOINT 1/4" GAS WITH RUBBER HOLDER | | |
| | ⇒ 591454000 | FITTING | | |
| - | 902028000 | FITTING FOR FROTHER | | |
| - | 902298000 | UNION | | |
| - | 902299000 | PIN | | |
| - | 902300010 | SELECTION SHAFT BODY | | |
| - | 911077000 | FROTHER STEAM SUPPORT | | |
| - | 911208000 | FROTHER PROTECTION PIPE | | |
| - | 911310000 | SPRING | | |
| | ⇒ 911245000 | SPRING | | |
| - | 911310000 | SPRING | | |
| - | 911563010 | RIGHT TAP LEVER | | |
| | ⇒ 911563000 | RIGHT TAP LEVER | | |
| - | 930020010 | STEAM TAP HANDLE SMART R | | |
| | ⇒ 911736000 | KNOB | | |
| - | 918769000 | CAPPUCC.-AUTOSTEAM SV TUBE | | |
| - | 918769006 | BOILER-STEAM SOLENOID TUBE NF | | |

SCATOLA ELETTRICA BOITE ELECTRIQUE
SWITCH BOX- SCHALKASTEN
CAJA ELÉCTRICA

STYLEMA A/S



(■) For N.S.F.

(•) ONLY FOR NORTH AMERICA MARKET



Valido dalla matricola n.°
Valable à partir du matricule n.°
Valid from No. - Gültig ab der Abkenn.-Nr. - Valido a partir de la matricula n.°

* Part ico la re nuo vo o mod ificato - Piéce nouveéle ou modifiée - New or modified part
Neues oder geänertes teil - Particular nuevo o modificado

12-07

Edizione del
Edition du
Edition of
Ausgabe vom
Edition del

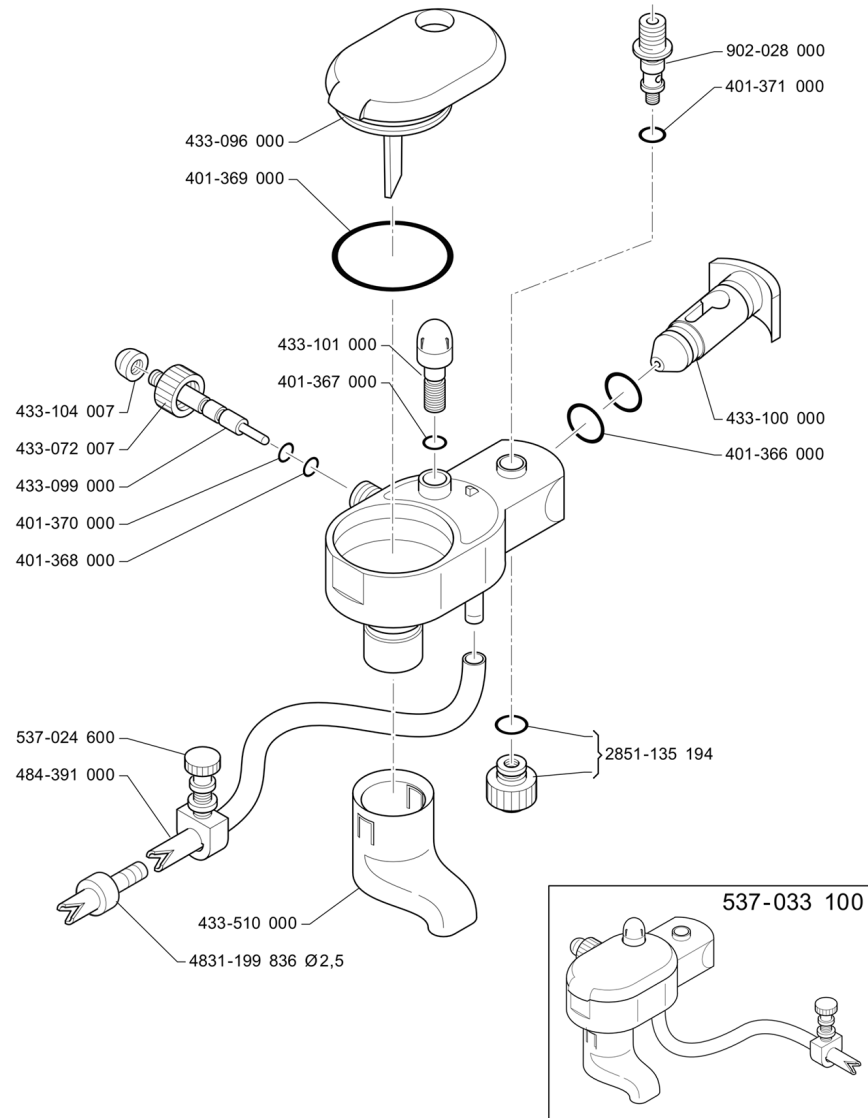
AC-K01

TAB.

| Pos | Part Number | Description | Validity | Notes |
|-----|--------------|-------------------------------------|----------|-------|
| - | 531494300 | METAL. COND. 10 uF DUCATI 416.33.27 | | |
| | ⇒ 2341119567 | CONDENSER 10MF | | |
| - | 3402133614 | LIGHT UL GREEN | | |
| - | 3501117396 | FUSE 5X20 4A | | |
| - | 3501117399 | FUSE 5X20 0,1A | | |
| - | 502904086 | M4X8 TSC T.CR. SCREW | | |
| - | 503404080 | M4X8 T.C.T.C. SCREW | | |
| - | 530111000 | FUSE HOLDER | | |
| - | 530112200 | FUSE CC15 A | | |
| - | 530114300 | WIRING | | |
| - | 531492700 | CAPACITOR 4MF | | |
| - | 531492800 | CAPACITOR 5 MF | | |
| - | 532020208 | MAIN SWITCH | | |
| - | 532147700 | BOARD SUPPORT | | |
| - | 532160200 | FORK | | |
| - | 532160300 | FIXED CABLE PRESS | | |
| - | 532160400 | MOBILE CABLE PRESS | | |
| - | 532160500 | MEMBRANE CABLE LAY | | |
| - | 532167400 | MODULAR CONNECTOR | | |
| - | 532167500 | MODULAR CONNECTOR | | |
| - | 532170400 | FIXCABLE | | |
| - | 532170500 | MEMBRANE CABLE LAY | | |
| - | 902176000 | POWER CABLE | | |
| - | 911145000 | COVER SPACER | | |
| - | 911560000 | EL.BOX COVER | | |
| - | 911717000 | WIRING POWER BOX STYEMA | | |
| - | 3529133899 | KNOB GENERAL SWITCH BLACK | | |
| | ⇒ 911737000 | KNOB MAIN SWITCH | | |
| - | 911788020 | GENERAL WIRING 2 GR A STYLEMA | | |
| - | 911789020 | GENERAL WIRING 3GR A STYLEMA | | |
| - | 918766010 | GENERAL WIRING 2 GR S STYLEMA | | |
| - | 918767010 | GENERAL WIRING 3 GR S STYLEMA | | |
| - | 952846010 | ELECTRONIC BOARD | | |
| | ⇒ 918910008 | ELECTRONIC BOARD | | |
| - | 990888000 | BIPOLAR LIGHTING SWITCH | | |

MONTALATTE - FOUETTE LAIT
 MILKFROTHER - MILCHAUFSCÄUMER
 MONTALECHE - MONTALEITE

E92 ELITE/COMPACT
 STYLEMA



Valido dalla matricola n.*

Valable à partir du matricule n.*

Valid from No. - Gültig ab der Abkenn-Nr. - Valido a partir de la matricula n.*

* Particolare nuovo o modificato - Pièce nouvelle ou modifiée - New or modified part
 Neues oder geändertes Teil - Particular nuevo o modificado

10-05

Edizione del
 Edition du
 Edition of
 Ausgabe vom
 Edición del

PC0L-2

TAB.

| Pos | Part Number | Description | Validity | Notes |
|-----|-------------|------------------------------------|----------|-------|
| - | 2851135194 | RING | | |
| - | 402197000 | O-RING 8,9 X 2,7 | | |
| | ⇒ 401366000 | O-RING 8,9 X 2,7 | | |
| - | 402249000 | O-RING 5,28X1,78 | | |
| | ⇒ 401367000 | O-RING 5,28X1,78 | | |
| - | 401368000 | GASKET 2,90X1,78 | | |
| - | 402241000 | O-RING 34,65 X 1,78 | | |
| | ⇒ 401369000 | O-RING 34,65 X 1,78 | | |
| - | 402250000 | GASKET 3,68 X 1,78 INTERMEDIATE TS | | |
| | ⇒ 401370000 | GASKET 3,68 X 1,78 | | |
| - | 401371000 | GASKET 6,75 X 1,78 | | |
| - | 433072007 | RING NUT | | |
| - | 433096000 | MILK FROTHER COVER | | |
| - | 433099000 | PIVOT | | |
| - | 433100000 | DEFUSER | | |
| - | 433101000 | AIR ADJUSTMENT SCREW | | |
| - | 433104007 | FROTHER HANDLE | | |
| - | 433510000 | MILK FROTHER NOZZLE | | |
| - | 4831119836 | NOZZLE 2,5 MM CAPPUCCINO | | |
| - | 484391000 | 4,8X7,9X1000 SILICON PIPE | | |
| - | 537024600 | NOZZLE NEW | | |
| - | 537033110 | NEW MILK FROTHER | | |
| | ⇒ 537033100 | MILK-FROTHER | | |
| - | 902028000 | FITTING FOR FROTHER | | |

| Pos | Part Number | Description | Validity | Notes |
|-----------|--------------|---|----------|-------|
| - | 1000091896 | COMPLETE LEVEL PROBE 124MM | | |
| - | 534393300 | SPARE GICAR 3V. VOL.COUNT. ASSEMBLY W/ A | | |
| | ⇄ 2251131855 | FLOWMETER COMPL. | | |
| - | 531494300 | METAL. COND. 10 uF DUCATI 416.33.27 | | |
| | ⇄ 2341119567 | CONDENSER 10MF | | |
| - | 2441133416 | PUMP 220/50 HORIZ. MOTOR UL | | |
| - | 990888000 | BIPOLAR LIGHTING SWITCH | | |
| | ⇄ 3302134423 | SWITCH E97 | | |
| - | 3501117396 | FUSE 5X20 4A | | |
| - | 3501117399 | FUSE 5X20 0,1A | | |
| - | 3781133765 | GAUGE DOUBLE DUE E97 | | |
| - | 401194010 | GASKET BOILER FLANGE | | |
| - | 402291000 | OR 5.7 x 1.9 NBR 70 NSF | | |
| - | 993761020F | EXPANSION VALVE NSF | | |
| | ⇄ 415932000 | EXPANSION VALVE | | |
| - | 993761020F | EXPANSION VALVE NSF | | |
| - | 418941010 | ANTI-UNDERTOW VALVE ASS. | | |
| | ⇄ 418911002 | VACUM VALVE | | |
| - | 418941010 | ANTI-UNDERTOW VALVE ASS. | | |
| | ⇄ 418911010 | VACUM VALVE | | |
| - | 418935030 | CHECK VALVE | | |
| | ⇄ 418935000 | CHECK VALVE | | |
| - | 418935030 | CHECK VALVE | | |
| | ⇄ 418935010 | CHECK VALVE | | |
| 418935030 | 418935040 | CHECK VALVE 3/8 - 1/8 | | |
| - | 418941010 | ANTI-UNDERTOW VALVE ASS. | | |
| | ⇄ 418941000 | ANTI-UNDERTOW VALVE ASS. | | |
| - | 418941010 | ANTI-UNDERTOW VALVE ASS. | | |
| - | 418941010 | ANTI-UNDERTOW VALVE ASS. | | |
| - | 438926030 | SAFETY VALVE 2,0 | | |
| - | 533180010 | 180 L/h VOLUMETRIC PUMP INOX W/FILTER | | |
| | ⇄ 462707000 | VOLUMETRIC PUMP 180LT/H | | |
| - | 533180010 | 180 L/h VOLUMETRIC PUMP INOX W/FILTER | | |
| | ⇄ 462707010 | VOLUMETRIC PUMP 180LT/H | | |
| - | 533180010 | 180 L/h VOLUMETRIC PUMP INOX W/FILTER | | |
| | ⇄ 462991000 | VOLUMETRIC PUMP 120LT/H | | |
| - | 533180010 | 180 L/h VOLUMETRIC PUMP INOX W/FILTER | | |
| | ⇄ 462991010 | VOLUMETRIC PUMP 120LT/H | | |
| - | 533180010 | 180 L/h VOLUMETRIC PUMP INOX W/FILTER | | |
| | ⇄ 462992000 | VOLUMETRIC PUMP 250LT/H | | |
| - | 481361000 | FILTER WITH HOLDER 9X1.5 INOX | | |
| - | 485576020 | STEAM WAND WITH THERMOCOUPLE V.A. | | |
| | ⇄ 485576010 | STEAM WAND WITH THERMOCOUPLE V.A. | | |
| - | 485576020 | STEAM WAND WITH THERMOCOUPLE V.A. | | |

| Pos | Part Number | Description | Validity | Notes |
|-----|--------------|---|----------|-------|
| - | 485757020 | ST. STEEL STEAM TUBE ASS. BULB 1.5 | | |
| | ⇌ 485757010 | ST. STEEL STEAM TUBE ASS. BULB | | |
| - | 485757020 | ST. STEEL STEAM TUBE ASS. BULB 1.5 | | |
| - | 937108000F | JET NOZZLE Ø 0.8 | | |
| | ⇌ 491173006 | JET 0,8MM. | | |
| - | 530901910 | TRASFORMER | | |
| | ⇌ 496654000 | TRASFORMER | | |
| - | 530901910 | TRASFORMER | | |
| - | 531190310 | PRESSOSTAT | | |
| - | 531494300 | METAL. COND. 10 uF DUCATI 416.33.27 | | |
| | ⇌ 531492400 | CAPACITOR 10MF | | |
| - | 531505200 | RELAY | | |
| - | 532020000 | MICROSWITCH | | |
| - | 532020208 | MAIN SWITCH | | |
| | ⇌ 532020200 | MAIN SWITCH | | |
| - | 533180010 | 180 L/h VOLUMETRIC PUMP INOX W/FILTER | | |
| | ⇌ 533180000 | VOLUMETRIC PUPMP INOX 180 L/H | | |
| - | 533180010 | 180 L/h VOLUMETRIC PUMP INOX W/FILTER | | |
| - | 533894610R | 3-WAY SOLENOID VALVE BASE 220/240V 50Hz | | |
| | ⇌ 533795610 | SOLENOID VALVE | | |
| - | 533894610R | 3-WAY SOLENOID VALVE BASE 220/240V 50Hz | | |
| | ⇌ 533795610R | SOLENOID VALVE | | |
| - | 533796500R | SOLENOID VALVE 2R UL 208/60 | | |
| | ⇌ 533796500 | SOLENOID VALVE 2R UL 208/60 | | |
| - | 533796510R | 2-WAY SCEM SOLENOID VALVE RUB.V208-230/6 | | |
| - | 533904800F | VITON 1/8" 220/240 V 50/60 Hz EV 2 VIE N | | |
| | ⇌ 533798310 | SOLENOID VALVE U.L. | | |
| - | 533904800F | VITON 1/8" 220/240 V 50/60 Hz EV 2 VIE N | | |
| | ⇌ 533798310R | SOLENOID VALVE U.L. | | |
| - | 533894610R | 3-WAY SOLENOID VALVE BASE 220/240V 50Hz | | |
| - | 533904800F | VITON 1/8" 220/240 V 50/60 Hz EV 2 VIE N | | |
| | ⇌ 533895200R | SOLENOID VALVE 220/240 V 50 HZ VITON 1/8 | | |
| - | 534393300 | SPARE GICAR 3V. VOL.COUNT. ASSEMBLY W/ A | | |
| | ⇌ 534392500 | FLOWMETER COMPL. | | |
| - | 534393300 | SPARE GICAR 3V. VOL.COUNT. ASSEMBLY W/ A | | |
| - | 537031801 | ELECTRONIC BOARD | | |
| - | 537036800 | BY-PASS WITH VALVE | | |
| - | 537036820 | BY-P CONFIGURATION | | |
| - | 533180010 | 180 L/h VOLUMETRIC PUMP INOX W/FILTER | | |
| | ⇌ 537048400 | VOLUMETRIC PUMP 120 LT/H | | |

| Pos | Part Number | Description | Validity | Notes |
|-----|-------------|--|----------|-------|
| - | 533180010 | 180 L/h VOLUMETRIC PUMP INOX W/FILTER | | |
| | ⇌ 537048500 | VOLUMETRIC PUMP 180LT/H | | |
| - | 911070008 | AUTOM. COFFEE CONTROLS CARD | | |
| | ⇌ 911070000 | MANCA LINGUA | | |
| - | 911070008 | AUTOM. COFFEE CONTROLS CARD | | |
| - | 911161008 | SEMIAUTOM. COFFEE CTRL. CARD | | |
| | ⇌ 911161000 | MANCA LINGUA | | |
| - | 911161008 | SEMIAUTOM. COFFEE CTRL. CARD | | |
| - | 911544020 | 220-240V 3750-4500W RESISTANCE | | |
| | ⇌ 911544000 | HEATING ELEMENT 3E 220-240V 3750 4500W | | |
| - | 911544020 | 220-240V 3750-4500W RESISTANCE | | |
| | ⇌ 911544010 | HEATING ELEMENT 3E 220-240V 3750 4500W | | |
| - | 911545020 | HEATING ELEMENT 220÷240V 4500÷5360W | | |
| | ⇌ 911545000 | RESIST.3E.220-240V 4500-5360W | | |
| - | 911545020 | HEATING ELEMENT 220÷240V 4500÷5360W | | |
| | ⇌ 911545010 | HEATING ELEMENT 3E 220-240V 4500-5360W | | |
| - | 537060300 | AUTOSTEAM BOARD SPARE PARTS KIT | | |
| | ⇌ 918840008 | ELECTRONIC BOARD FOR AUTOMATIC STEAM | | |
| - | 537060300 | AUTOSTEAM BOARD SPARE PARTS KIT | | |
| - | 952846010 | ELECTRONIC BOARD | | |
| | ⇌ 918910008 | ELECTRONIC BOARD | | |
| - | 952846010 | ELECTRONIC BOARD | | |
| | ⇌ 952846000 | BASE BOARD | | |
| - | 952846010 | ELECTRONIC BOARD | | |
| - | 911544020 | 220-240V 3750-4500W RESISTANCE | | |
| - | 911545020 | HEATING ELEMENT 220÷240V 4500÷5360W | | |
| - | 533904810F | 2-WAY SOLENOID VALVE NC 220/240V 50/60Hz | | |
| - | 985611000 | STEAM WAND W/OUT BULB | | |
| - | 531494300 | METAL. COND. 10 uF DUCATI 416.33.27 | | |

