

**ABBATTITORI/CONGELATORI  
BLAST CHILLERS AND FREEZERS**

**BLAST CHILLERS/FREEZERS 28kg GN 1/1 CROSSWISE**

Code	Avv.	Type	Ref.	Page	Brand
726629	27	Crosswise 28/35 kg GN 1/1 Freezer	a	2 4	Electrolux
110722	25	Crosswise 28/35 kg GN 1/1 Freezer	b	2 4	Zanussi
728215	25	Crosswise 28/35 kg GN 1/1 Freezer	c	2 4	Alpeninox
726622	21	Crosswise 28 kg GN 1/1 Chiller	d	2 4	Electrolux
110718	20	Crosswise 28 kg GN 1/1 Chiller	e	2 4	Zanussi
728211	20	Crosswise 28 kg GN 1/1 Chiller	f	2 4	Alpeninox
726623	16	Crosswise 28 kg GN 1/1 Chiller remote	g	2 4	Electrolux
110033	05	Crosswise 28 kg GN 1/1 Chiller USA version	h	2 4	Zanussi
110037	14	Crosswise 28 kg GN 1/1 Chiller 220-230\1\60hz	i	2 4	Zanussi
110041	09	Crosswise 28/35 kg GN 1/1 Freezer 220-230\1\60hz	l	2 4	Zanussi
728308	08	Crosswise 28 kg GN 1/1 Chiller	m	2 4	Franstal
728450	12	Crosswise 28/35 kg GN 1/1 Freezer	n	2 4	Franstal
727132	09	BLAST CHILL/FREEZER 32/28KG 10GN1/1-60HZ	o	2 4	Electrolux

**NOTE:**

**Has been change the user board and food probes from ser.N°01700001 due to a new connectors. Please for other information look the tec.doc n°VTX.2010-03**

**update from serial number ~ 83000001 change thermostatic valve on codes 728450-110722-728215-727132-726629**

update from serial number ~ 70500001 change estetic in codes 728211-728215-728308-728450

update from serial number ~ 5200001 change estetic in codes 726629-726622-726623

new evaporator probe from ser.numb.~ 51100001

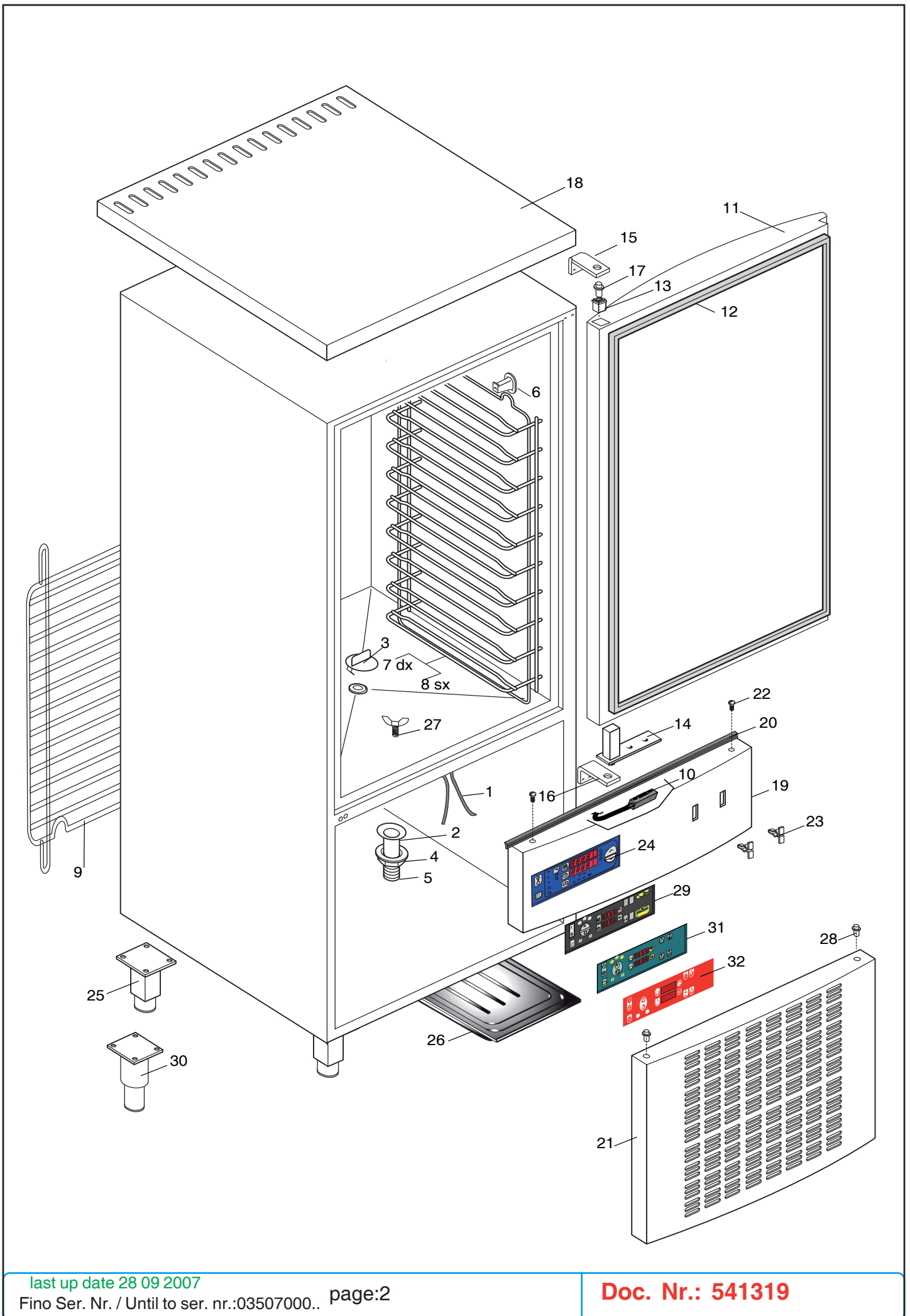
from serial number ~ 51800001 as been remove vibration damping

From ser. N° ~ 71600001 are changed the board main and user and sticker control

Pag./Page	Indice	Index
2	Mobile	Cabinet
3	Lista ricambi	Spare parts list
4	Gruppo	Coling unit
5	Lista ricambi	Spare parts list

**Marchio / Brand:Electrolux Zanussi Alpeninox**

**Paese / Country:** Tutti / All



# Crosswise 28kg GN 1/1

PNC	REF	PNC	REF	PNC	REF	PNC	REF	PNC	REF	PNC	REF
726629	a	110718	e	110037	i						
110722	b	728211	f	110041	l						
728215	c	726623	g	727132	o						
726622	d	110033	h								
728308	m	728450	n								

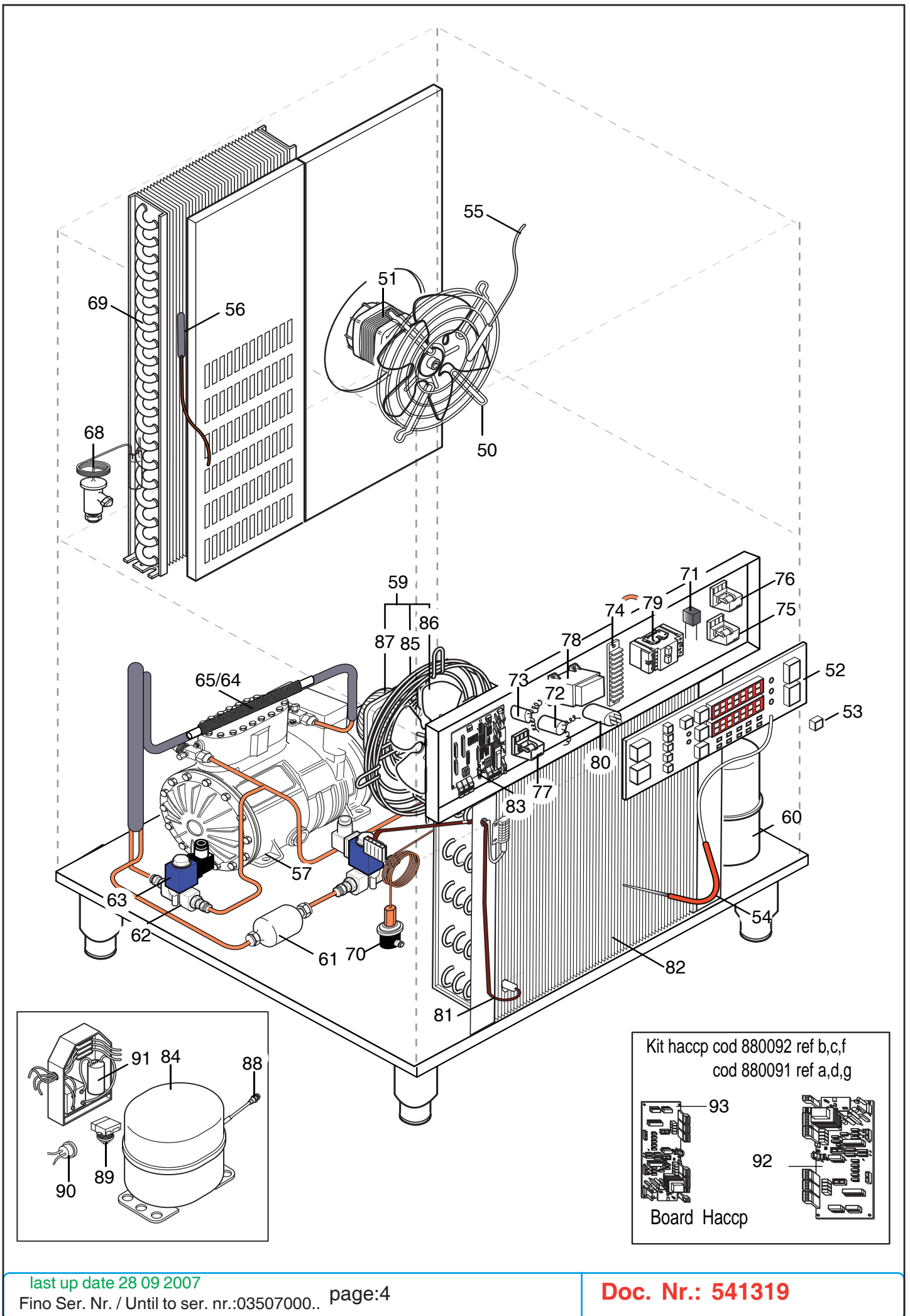
POS	CODICE	DESCRIZIONE	DESCRIPTION	REF NOTES
1	084724	Cavo riscaldante	Heating cable for frame	a,b,c,l,n,o
2	083591	Piletta	Discharge pipe	
3	083886	Tappo	Plug	a,b,c,d,e,f,g,i,l,m,n
3	088089	Tappo	Plug	h
4	083592	Controdado	Nut	
5	083593	Porta gomma per piletta	Rubber support for pipe	
6	083878	Supporto struttura	Shelf rack support	
7	088617	Telaio dx per teglie gn 1/1	Right support for gn 1/1	a,b,c,d,e,f,g,i,l,m,n,o
7	087948	Telaio dx per teglie gn 1/1	Right support for gn 1/1	h
8	088618	Telaio sx per teglie gn 1/1	Left support for gn 1/1	a,b,c,d,e,f,g,i,l,m,n,o
8	087949	Telaio sx per teglie gn 1/1	Left support for gn 1/1	h
9	088619	Chiusura posteriore	Back side grid	
10	088578	Sensore magnetico porta	Door switch	
11	085796	Porta	Door	a,d,g until <b>ser.n°519000..</b>
11	085764	Porta	Door	a,b,c,d,e,f,g,i,l,m,n,o
11	0A9620	Porta	Door	c,f,m,n until <b>ser.n°704000..</b>
12	083397	Guarnizione magnetica	Gasket door	a,b,c,d,e,f,g,i,l,m,n,h,i,o
12	099178	Guarnizione magnetica	Gasket door	h until <b>ser.n°704000..</b>
13	083875	Boccola per porta	Door bush	
14	083876	Cerniera porta	Hinge door	
15	085754	Staffa superiore per porta	Upper bracket for door	
16	085755	Staffa inferiore per porta	Lower bracket for door	
17	0A9124	Perno per staffa superiore	Pin for upper bracket	
18	085801	Piano di appoggio (top)	Top	a,d,g until <b>ser.n°519000..</b>
18	085759	Piano di appoggio (top)	Top	b,c,e,f,h,a,d,g,i,l,m,n,o
19	088620	Cruscotto comandi	Control panel	a,d,g until <b>ser.n°519000..</b>
19	099555	Cruscotto comandi	Control panel	a,d,g from <b>ser.n°520 until to ser.N° 716 order 088621</b>
19	088621	Cruscotto comandi	Control panel	b,c,e,f,h,i,l,n,a,d,g,o
20	088581	Coprifuga per cruscotto	Gasket for control panel	a,b,c,d,e,f,g,i,l,m,n
20	0L0113	Coprifuga per cruscotto	Gasket for control panel	h
21	088107	Pannello condensatore	Condenser panel	a,d,g until <b>ser.n°519000..</b>
21	099553	Pannello condensatore	Condenser panel	a,d,g from <b>ser. n°520,until to ser.n°712 order 088622</b>
21	088622	Pannello condensatore	Condenser panel	b,c,e,f,h,i,l,m,n,a,d,g
21	092507	Pannello condensatore	Condenser panel	o
22	*	Vite per cruscotto M5 x 12	Crew for control panel M5x12	Art. 518713700
23	053342	Molla arresto marchio	Brand retaining plate clip	
24	088582	Membrana adesiva Electrolux BCF	Sticker control electrolux BCF	a until to <b>ser.n°715..</b>
24	<b>091564</b>	<b>Membrana adesiva Elec. BCF con T.C</b>	<b>Sticker control electrolux BCF</b>	a,o from <b>ser.n°716..</b>
24	088583	Membrana adesiva Elux BC senza T.C	Sticker control elux BC without T.C	d,g until to <b>ser.n°715..</b>
24	<b>091565</b>	<b>Membrana adesiva Electrolux con T.C</b>	<b>Sticker control electrolux with T.C</b>	d,g from <b>ser.n°716..</b>
25	089651	Piedino elux	Foot elux	a,d,g until <b>ser,n°704000..</b>
26	080803	Baccinella raccolta condensa nera	Black water condensation tray	
27	090008	Vite ad alette per struttura	Screw for support gn 1/1	
28	088338	Perno di riferimento	Pin	
29	088584	Membrana adesiva Zanussi senza T.C bcf	Sticker control Zanussi without T.C bcf	b,l until to <b>ser.n°716..</b>
29	<b>091296</b>	<b>Membrana adesiva Zanussi con T.C bcf</b>	<b>Sticker control Zanussi with T.C bcf</b>	b,l from <b>ser.n°716..</b>
29	088585	Membrana adesiva Zanussi bc senza T.C	Sticker control Zanussi without T.C bc	e,i until to <b>ser.n°716..</b>
29	<b>091295</b>	<b>Membrana adesiva Zanussi bc con T.C</b>	<b>Sticker control Zanussi with T.C bc</b>	e,i from <b>ser.N°716</b>
29	099174	Membrana adesiva Zanussi	Sticker control Zanussi	h
30	048579	Piedino	Foot	
31	088587	Membrana adesiva Alpeninox senza T.C	Sticker control Alpeninox without T.C bcf	c until to <b>ser.n°715..</b>
31	<b>091567</b>	<b>Membrana adesiva Alpeninox con T.C</b>	<b>Sticker control Alpeninox with T.C bcf</b>	c from <b>ser.n°716..</b>
31	088586	Membrana adesiva Alpeninox senza T.C	Sticker control Alpeninox without T.C	f until to <b>ser.n°715..</b>
31	<b>091568</b>	<b>Membrana adesiva Alpeninox bc con T.C</b>	<b>Sticker control Alpeninox bc with T.C</b>	f from <b>ser.n°716..</b>
32	099928	Membrana adesiva Franstal	Sticker control Franstal	m
32	099927	Membrana adesiva Franstal	Sticker control Franstal	n

\*T.C = turbo cooling

page:3

\*Componenti disponibili a richiesta\*component available upon request

Doc. Nr.: 541319



# Crosswise 28kg GN 1/1

PNC	REF	PNC	REF	PNC	REF	PNC	REF	PNC	REF	PNC	REF
726629	a	110718	e	110037	i						
110722	b	728211	f	110041	l						
728215	c	726623	g	727132	o						
726622	d	110033	h								
728308	m	728450	n								

POS	CODICE	DESCRIZIONE	DESCRIPTION	REF NOTES
50	088623	Griglia per ventilatore cella	Protection fan cell	
51	088624	Ventilatore cella	Cell ventilator	a,b,c,d,e,f,g,i,l,m,n,o
51	088112	Ventilatore cella	Cell ventilator	h
52	088590	Scheda pulsanti (Cw in versione LW)	User board	a,d,g unitl to ser.n°715 after order cod 088591
52	088591	Scheda pulsanti old co.tors	User board old co.tors	unitl to ser.n°01600...
52	092700	Scheda pulsanti new co.tors	User board new co.tors	From ser.n°01700001
53	002670	Prolunga pulsante	Switch extension	
54	088348	Spillone conico old co.tors	Food probe old co.tors	unitl to ser.n°01600...
54	092704	Spillone conico new co.tors	Food probe new co.tors	From ser.n°01700001
55	092177	Sonda cella "blue"	Cell probe	
56	092180	Sonda evaporatore "verde"	Evaporator probe	
57	088473	Compressore H180 CS	Compressor H180 CS	a,b,c,n unitl to ser.n°715
57	091665	Compressore THF248Z	Compressor THF248Z	a,b,c,n From ser.n°716
57	099651	Compressore H150 CC	Compressor H150 CC	l,o unitl to ser.n°031000..
57	684R02600	Compressore THF2480Z	Compressor THF2480Z	l,o From ser.n°032000..
58	088625	Condensatore	Condenser	a,b,c,l,n,o
58	088626	Condensatore	Condenser	d,e,f,i,m
58	088115	Condensatore	Condenser	h
59	088350	Ass. ventilatore condensatore	Motor ventilator for condenser	a,b,c,l,n,o
60	083403	Ricevitore di liquido	Liquid tank	a,b,c,l,n,o
60	083387	Ricevitore di liquido	Liquid tank	d,e,f,i,m
60	088114	Ricevitore di liquido	Liquid tank	h
61	087438	Filtro deidratore	Deidrotor filter	a,b,c,l,n,o
61	088201	Filtro deidratore	Deidrotor filter	d,e,f,h,i,m
62	084085	Corpo valvola solenoide	Solenoid valve	a,b,c,l,n,o
62	088030	Corpo valvola solenoide	Solenoid valve	d,e,f,i,m
62	087970	Corpo valvola solenoide	Solenoid valve	h
63	088351	Bobina per valvola solenoide	Coil for solenoid valve	a,b,c,l,n,o
63	085847	Bobina per valvola solenoide	Coil for solenoid valve	d,e,f,i,m
63	088083	Bobina per valvola solenoide	Coil for solenoid valve	h
64	088480	Giunto antivibrante Ø 16mm	Vibration-damping joint Ø 16mm	a,b,c,l,n
65	088479	Giunto antivibrante Ø 12mm	Vibration-damping joint Ø 12mm	a,b,c,l,n
68	088475	Valvola termostatica danfoss 404A	Thermostatic valve 404A	a,b,c,l,o
68	092053	Valvola termostatica Sporlan 404A	Thermostatic valve 404A	n
68	088036	Valvola termostatica danfoss 134A	Thermostatic valve 134A	d,e,f,g,h,i,m unitl to ser.n°715
68	091697	Valvola termostatica Sporlan 134A	Thermostatic valve 134A	d,e,f,g,h,i,m from ser.n°716
69	088627	Evaporatore	Evaporator	
70	085088	Pressostato alta pressione	Pressure switch for high pressure	a,b,c,l,n
70	085060	Pressostato alta pressione	Pressure switch for high pressure	h,o
71	088628	Filtro elettrico per bobina	Electric filter for coil	a,b,c,l,n,o
72	083406	Condensatore elettrico 5m/f vent.cella	Capacitor for cell ventilator 5m/f	
72	088116	Condensatore elettrico 20m/f vent.cella	Capacitor for cell ventilator 20m/f	h
73	084721	Condensatore elettrico 4m/f vent.cond.	Capacitor for cell vent.4m/f	a,b,c,l,n,o
73	088142	Condensatore elettrico 12m/f vent.cond.	Capacitor for cell vent.12m/f	h
74	082171	Morsettiera	Clamp	
75	088267	Rele` RP	Relay RP	d,e,f,g,i,m
75	088086	Rele` RP	Relay RP	h
75	088197	Rele` RA 62.83.8.230	Relay RA	a,b,c,g,l,n,o
75	099176	Rele` RA	Relay RA	h
76	083215	Rele` di sbrinamento 60.62.8.230	Relay for open coil defrost	a,b,c,l,n,o
77	056510	Rele` per bobina valvola solenoide RG	Relay for open coil RG 60.63.8.024	
78	087662	Trasformatore 230/24V	Voltage adaptor	a,b,c,d,e,f,g,i,l,m,n,o
78	088101	Trasformatore	Voltage adaptor	h
79	083472	Interuttore salvamotore 6.3 a	Safety switch for compressor	a,b,c,l,n unitl to ser.N°7370000
79	091706	Interuttore salvamotore 6.3 a	Safety switch for compressor	a,b,c,l,n,o
80	084987	Filtro elettrico	Electric filter	a,b,c,d,e,f,g,i,l,m,n,o
80	090092	Filtro elettrico	Electric filter	h
81	088345	Sonda ambiente/condensatore	Room/condenser probe	
82	088602	Gabbia per bulbo sonda ambiente	Protection for room probe	
83	093158	Scheda principale BCF rel.1,72	Main board (param.map on web site)	g,a,d,b,c,e,f,i,l,m,n,o
83	099177	Scheda principale	Main board (param.map on web site)	h

\*T.C = turbo cooling

page:5

\*Componenti diponibili a richiesta\*component available upon request

Doc. Nr.: 541319

# Crosswise 28kg GN 1/1

PNC	REF	PNC	REF	PNC	REF	PNC	REF	PNC	REF	PNC	REF
726629	a	110718	e	110037	i						
110722	b	728211	f	110041	l						
728215	c	726623	g								
726622	d	110033	h								
728308	m	728450	n								

POS	CODICE	DESCRIZIONE	DESCRIPTION	REF \ NOTES
84	083989	Compressore ermetico	Ermetic compressor	d,e,f,m
84	099655	Compressore ermetico	Ermetic compressor	i
84	088113	Compressore ermetico	Compressor	h
85	087996	Griglia per ventilatore condensatore	Protection fan condenser	d,e,f,i,m
86	087997	Ventola condensatore	Fan condenser	d,e,f,i,m
87	088013	Ventilatore condensatore	Motor ventilator for condenser	d,e,f,i,m
87	088109	Ventilatore condensatore	Motor ventilator for condenser	h
88	0A9459	Valvola di ricarica compressore	Discharge/charge valve for compressor	d,e,f,h,i,m
89	112405	Rele` per compressore	Relay for compressor	d,e,f,,m
90	083998	Protettore per compressore	Overload protector	d,e,f,m
91	082640	Condensatore di spunto/marcia	Start/running condenser	d,e,f,m
92	*	Scheda principale haccp	Haccp main bord <a href="#">(param.map on web site)</a>	b,c,f,l,m,n
92	*	Scheda principale haccp	Haccp main bord <a href="#">(param.map on web site)</a>	a,d,g,m
93	088570	Scheda haccp	Haccp bord	
*	088477	Contattore	Swith	b,a,c,n
*	099090	Contattore	Swith	l

\*T.C = turbo cooling

page:6

\*Componenti diponibili a richiesta\*component available upon request

Doc. Nr.: 541319